

DC2 – Safti-Seal Joint Protection - Sound Ratings



Dynamic Head of Wall Assemblies Sound Rated for a Lifetime

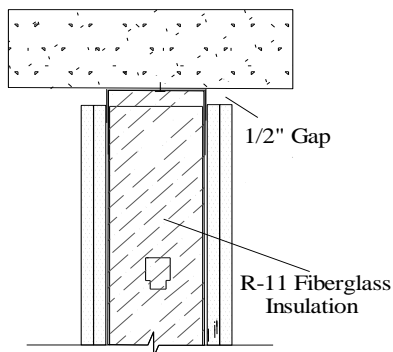
Provides:

- Gasket seal against flanking over and through partitions
- Tested with additional 1/2" dynamic joint (seismic rated)
- Indefinite protection provides “seal” through lifetime of assembly
- Unrestricted smaller installed “exposed” joints
- Early unobstructed accurate inspections

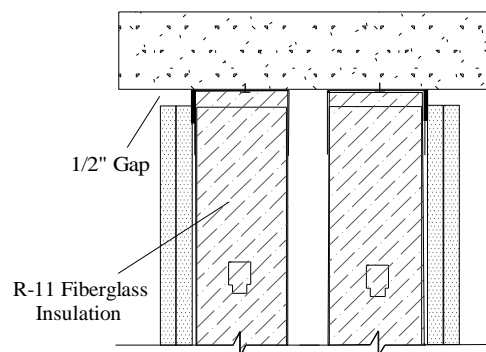
Eliminates Mastic:

- Drying out/cracking,
- Loss of adhesion, sagging, and dislodging,
- Field under, mis, or ‘non’(obstructed) application
- Degradation of sound/smoke seal(due to deflection or aging of materials)

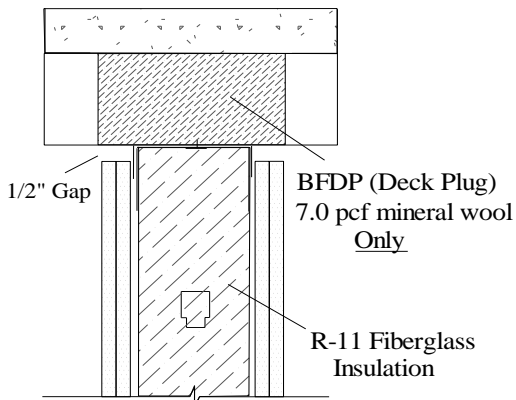
Wall partitions certified at NVLAP accredited Western Electro-Acoustic Laboratory in accordance with ASTM E 90-04 – *Standard Test Method for Laboratory Measurement of Airborne Sound Transmission Loss of Building Partitions.*



System STC = 55

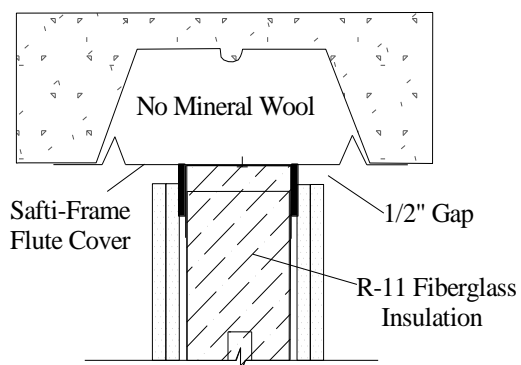


System STC = 64



System STC = 49

(BFCC or gypsum mid-plug STC = 52)



System STC = 50

(Gypsum attached to Flute Cover STC = 52)