



**Safti-Seal "CJB" (Control Joint Backer)**

***"One Stud Framing Solution"***

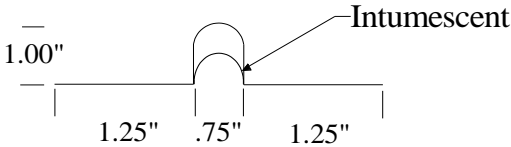
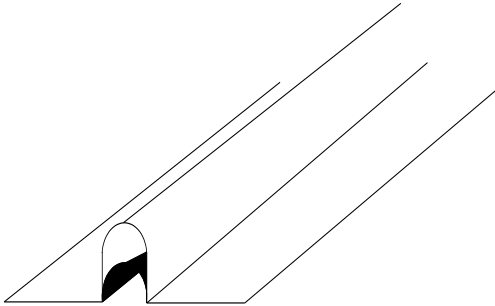
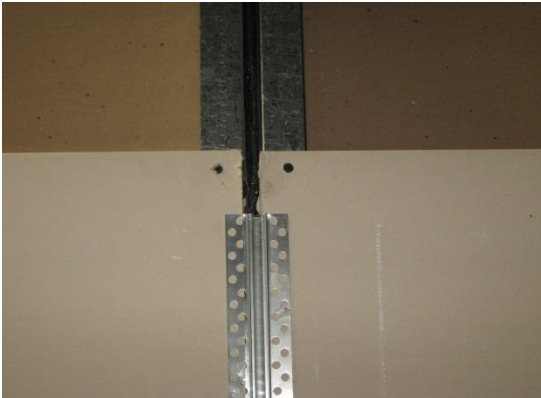
Certified to ASTM E-119 Standards - (WFCi - Report #12033)

Install ***"Pre or Post"*** Obstructions, Missed Layout, or Above Door Short Spans

Eliminate Drywall Rips, Mineral Wool, Caulk, & Second Stud Edge Backing

Early Unobstructed Inspection (***Visual Fire Stop Confirmation***) Before Drywall

Cosmetic Zinc or Vinyl Architectural Control Joint (optional)



Part #	Intumescent Width	Profile Width	Gauge
CJB-18	1.25"	3.25"	.018

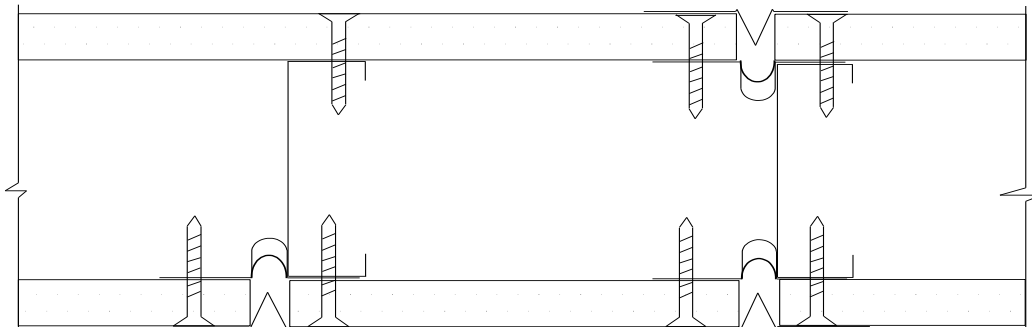




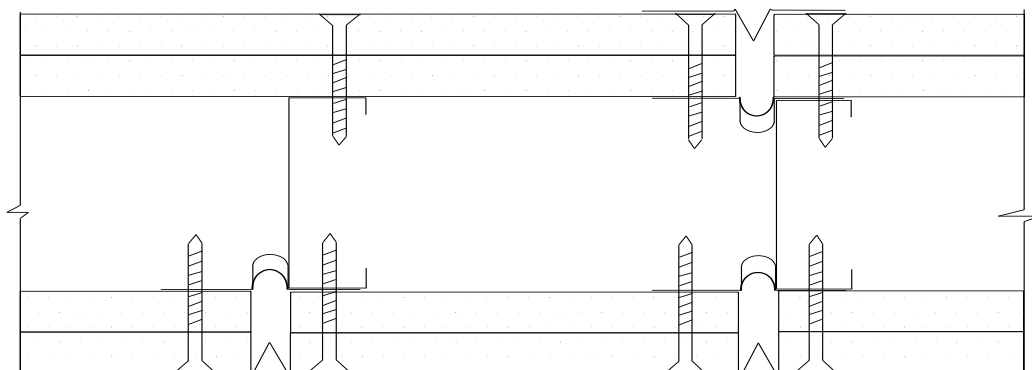
**Installation:**

- Locate first flange of CJB between wall "stud" and wall sheathing
- Fasten CJB max. 8" O/C utilizing wall sheathing fasteners for attachment
- Span wall sheathing from adjacent "stud" and attach to second CJB flange
- Edges of wall sheathing align with edges of intumescent material

**Rated 1 hour - Top View CJB at Stud/Jamb (Single Side & Back to Back)**



**Rated 2 Hour - Top View CJB at Stud/Jamb (Single Side & Back to Back)**



Profiles are manufactured with 25ga galvanized steel complying with ASTM A653 having a minimum G40 coating. Profiles comply with ASTM C645 and are installed behind joints in wall sheathing where control joints (Zinc or Vinyl 093) are installed to prevent face cracking.