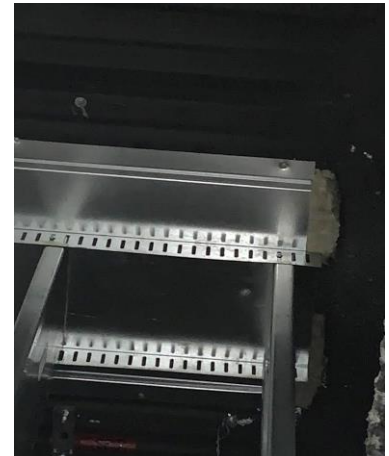
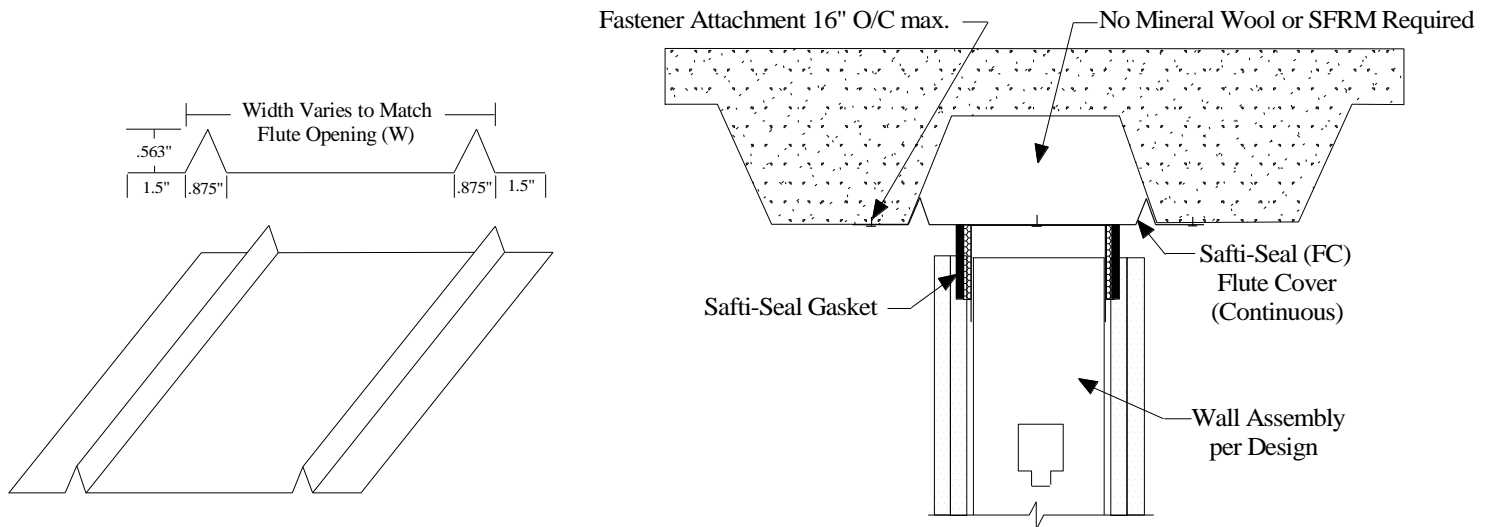




Sound Tested in Accordance  
with ASTM E90-09

## Flute Cover (FC) – Parallel Flute Solution “Aesthetic Reveal”

- Rigid Ribbed Profile Improves Material, Means, & Method of Install
  - No Mineral Wool or SFRM Required in Fluted Void Above
- Eliminate “Wavy” Flat Stock, Straps, “Under Stuffed” Wool, & Spray Coatings
  - Exposed Aesthetic Reveal Finish Blends with Metal Deck
    - UL Certification Listing - [HW-D-0896](#)
    - Stock Lengths – 10’ 0”



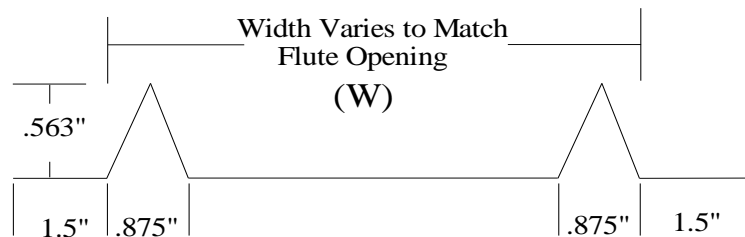


Sound Tested in Accordance  
with ASTM E90-09

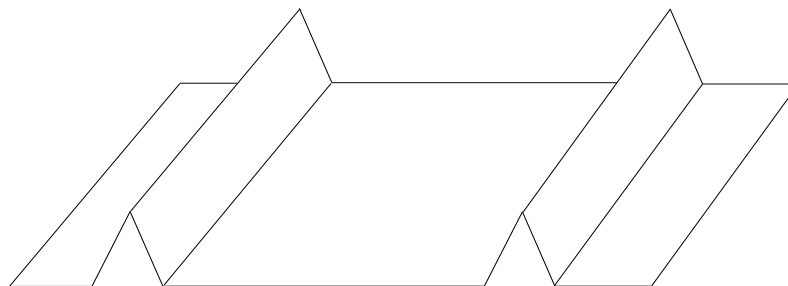
## Product Profile Dimensions – Submittal

### PS11 – “FC” (Flute Cover) profiles

Corrugated Steel for horizontal use to span fluted areas of unprotected or protected metal decks in up to 2-hr rated assemblies - [HW-D-0896](#). Profile attached to deck “valley” surfaces a max 16” O/C on both sides. Profile sections are fabricated from hot-dipped galvanized steel complying with ASTM A653 with a minimum G40 (20ga) and G60 (18ga and heavier) coating. Profiles comply with ASTM C645 and provide a surface area for attachment of head of wall partition track profiles centered or offset underneath and parallel to deck fluted areas.



<u>Widths (W)</u>	<u>Gauge</u>	<u>Part Identification</u>
425 (4 1/4")	.030 (20)	Example: FC675 - 30
675 (6 3/4")		<u>FC</u> <u>675</u> - <u>30</u>
725 (7 1/4")		/   \   \
		Profile   Flute   Gauge
		Opening



#### UL, ASTM & Code Standards

UL2079 (5<sup>th</sup> Edition) & CAN/ULC S115  
ASTM E814, E1966, E2837  
A1003, A653, A924, C645, C754, C955  
Sound Tested according to ASTM E90-09  
2015 & 2018 IBC

#### Lead Points

MR 2.1 & 2.2 - Construction Waste: up to 2pts  
MR 4.1 & 4.2 - Recycled Content: up to 2 pts  
MR 5.1 & 5.2 - Regional Proximity  
EQ 4.1 - Low Emitting Materials  
EQ 9 - Enhanced Acoustical

Phone: (425) 869-2811 Fax: (425) 869-2300

www.saftiseal.com