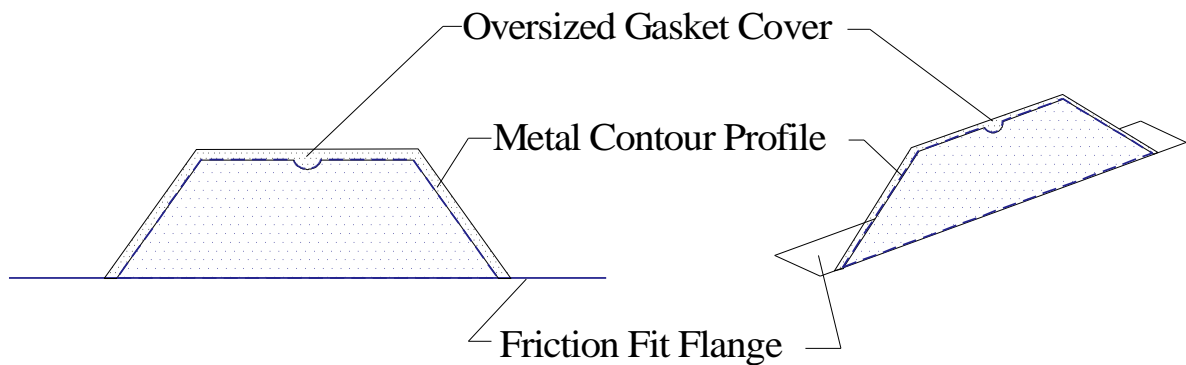




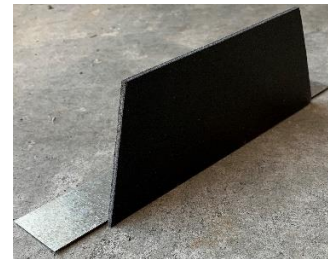
Sound Tested in Accordance
with ASTM E90-09

Aesthetic Reveal and Sound Seal – Flute Guard (FG)

- Eliminate “Castle Cut” Drywall & Install Protection Before MEP, Stud & Drywall
 - Contour Cut Friction Fit “Flute” Insert for Aesthetic Finish & Open Reveals
 - Oversized Gasket Cover - Seals Deck Embossments & Mineral Wool
- No Failure or Maintenance of *Inaccessible Life Safety Seals* “Post Construction”
 - ASTM E-90 Certified to **Maintain up to STC 64**
 - Eliminate Contour Cut Drywall, Caulk, and Spray Issues
 - ASTM E84 **Flame Spread: 0** **Smoke Development: 0**



- Lifetime Flute Void & Joint Protection – **No Material Fatigue**



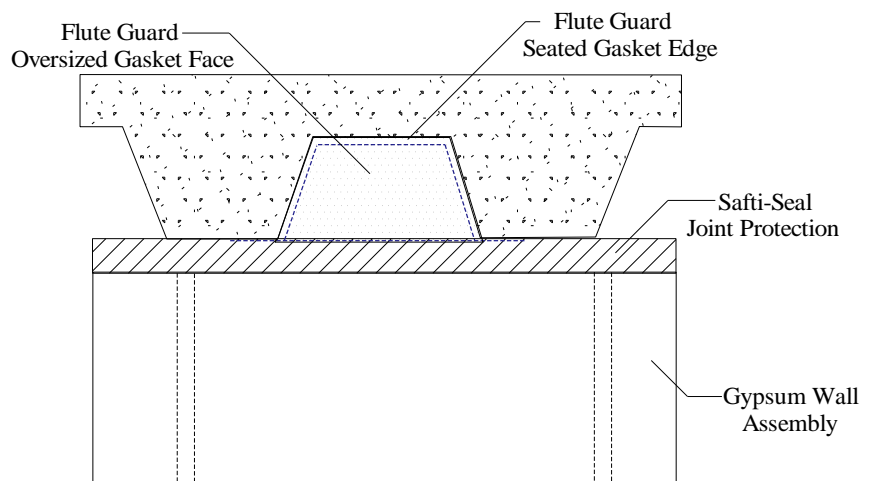
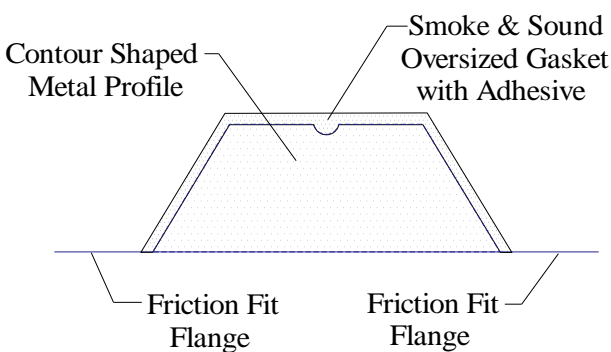
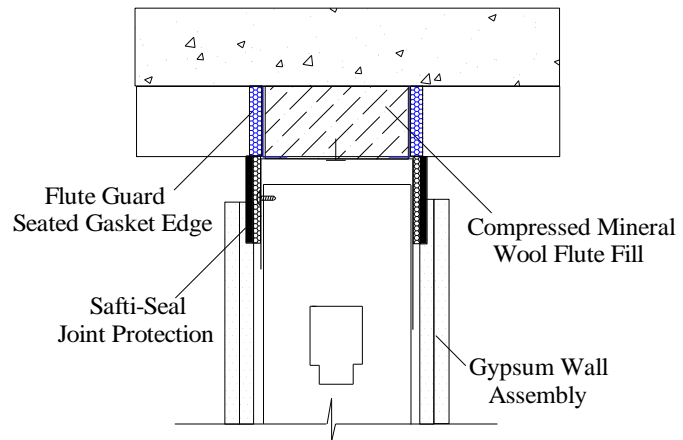
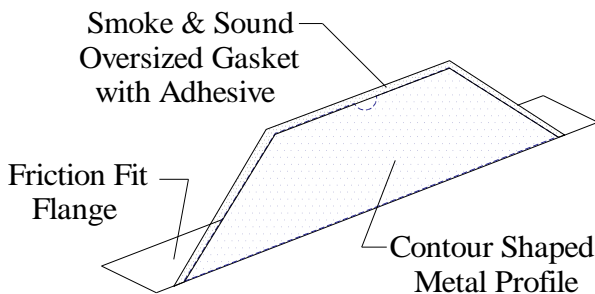


Sound Tested in Accordance
with ASTM E90-09

Product Profile Dimensions – Submittal

PS18 – Flute Guard (FG) Gasket Seal

Aesthetic & Sound Cover for Fluted Voids in Metal Deck – Oversized Gasket Layer Conforms & Adheres to Deck Contour/Embossments. Eliminates Contour Cut Drywall, Caulk, and Spray Issues with No Lifetime Fatigue or Maintenance of Flute Fill, Substrate, or Joint Protection. Certified ASTM E-90 Reports TL19-112 & 115 maintains 64 STC rating (relates to specific construction). ASTM E84 Flame Spread: 0; Smoke Development: 0



Product	Flute Height	Flute Coverage	Flute Opening Dimensions
FG-300	3.00"	Single	3" x 5" x 7"
FG-200	2.00"	Single	2" x 5" x 7"
FG-150	1.50"	Three	1.50" x 3.5" x 4.5"