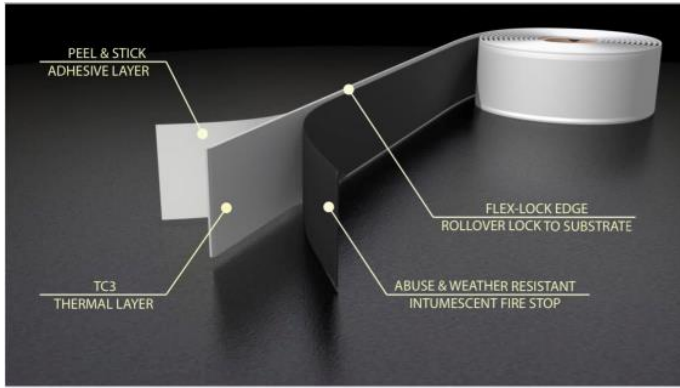




Sound Tested in Accordance
with ASTM E90-09

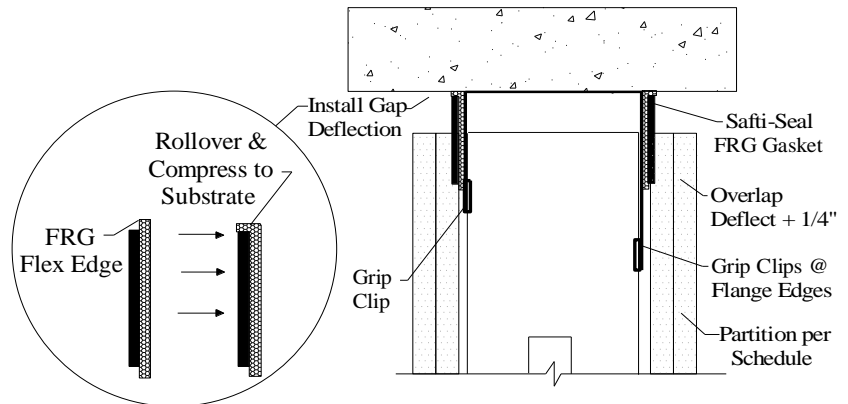
Fire Rated Gasket – “FRG” Flex Lock Edge Joint Protection



Profile	Gasket Width	Install Gap	Deflection
FRG-50	0.75"	1/4"	1/2"
FRG-75	1.00"	3/8"	3/4"
FRG-100	1.25"	1/2"	1"
FRG-150	1.50"	3/4"	1.50"
FRG-200	2.25"	1"	2.00"
FRG-300	3.25"	1.50"	3.00"
FRG-400	4.25"	2.00"	4.00"

- “Peel & Stick” Gasket “Wrap Around” Seal - Before MEP, Stud & Drywall
 - Up to 4.00” Deflection - 100% Unencumbered Smallest Install Gaps
 - Single Composite Profile - Rated for Both **1 & 2-Hour** Assemblies
 - Lifetime **Fire, Smoke, & Sound Protection - No Material Fatigue**
 - **No** Additional “Post Drywall Joint Fill” Material Requirements
 - Exposed (Optional) Reveal or Hidden Rating of Cosmetic Tape/Trims
- **UL 2079: Certified with Level III (Seismic) Deflection Rating**
 - **ASTM E-90: Certified to Exposed Joint Protection (STC 64)**

Temperature: **Storage & Application: 10 - 150 °F**



J-Slotted Track (JST) – Chase Wall

U.S. Patent #10,626,598



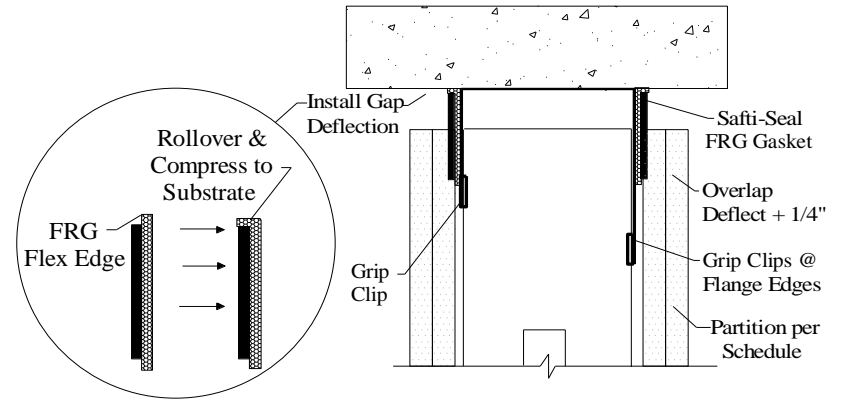
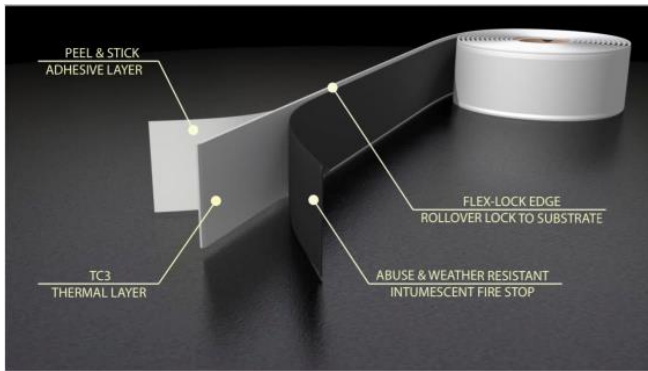
Sound Tested in Accordance
with ASTM E90-09

Product Profile Dimensions – Submittal

PS1 – Fire Rated Gasket “FRG” Flex Lock Edge Roll Stock

Composite Intumescent Layer & Thermal “Wrap Around Seal” Barrier Material with “Peel and Stick” Adhesive (PSA), up to 2 hr fire rating certified to UL 2079 v.5 Standards. *When using field application method* see installation instructions and chart below for product selection. Material acceptable for use with non-solvent based paint, caulk, sprays, and zinc or vinyl drywall trims.

- **UL 2079:** Certified to Level III (Seismic) Cyclical Rating
- **ASTM E-90:** Certified to Exposed Joint Protection (STC 64)
- **Temperature:** Storage & Application: 10 - 150 °F



Product	Strip Width	Length Lft/Roll	Install Gap (Multi-Story)	Install Gap (Single-Story)	Max. Deflect
			(Compress/Extension)	(Compress Only)	Overall
FRG-50	0.75"	82'	.25"	.50"	.50"
FRG-75	1.00"	82'	.375"	.75"	.75"
FRG-100	1.25"	82'	.50"	1.00"	1.00"
FRG-150	1.75"	82'	.75"	1.50"	1.50"
FRG-200	2.25"	82'	1.00"	2.00"	2.00"
FRG-300	3.25"	4'	1.50"	3.00"	3.00"
FRG-400	4.25"	4'	2.00"	4.00"	4.00"

UL, ASTM & Code Standards

UL2079 (5th Edition) & CAN/ULC S115
ASTM E814, E1966, E2837
A1003, A653, A924, C645, C754, C955
Sound Tested according to ASTM E90-09
2015 & 2018 IBC

Lead Points

MR 2.1 & 2.2 - Construction Waste: up to 2pts
MR 4.1 & 4.2 - Recycled Content: up to 2 pts
MR 5.1 & 5.2 - Regional Proximity
EQ 4.1 - Low Emitting Materials
EQ 9 - Enhanced Acoustical

Phone: (425) 869-2811 Fax: (425) 869-2300
U.S. Patent #10,626,598