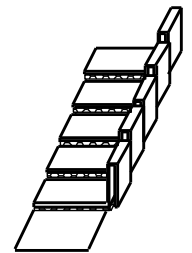
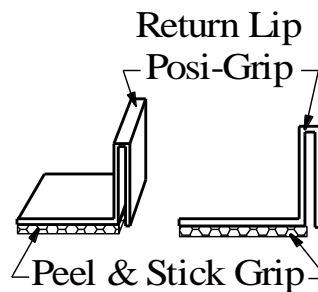
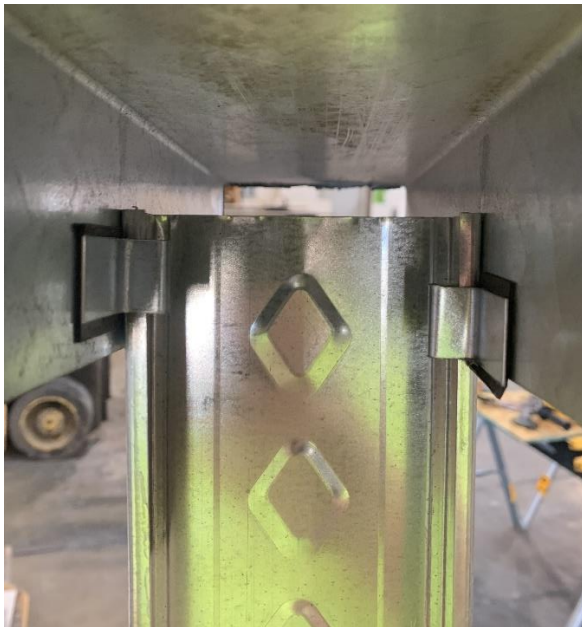
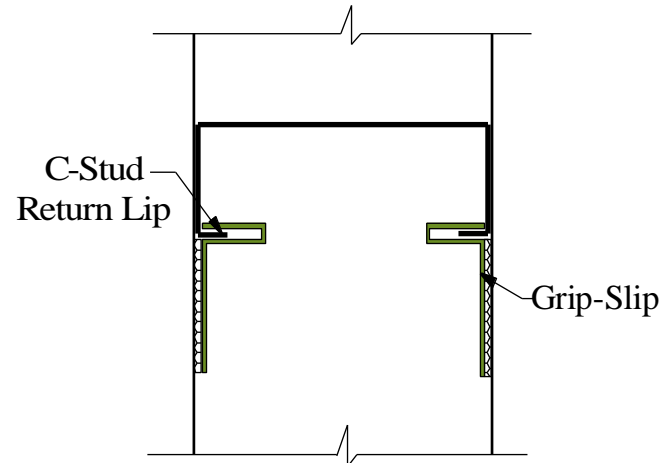
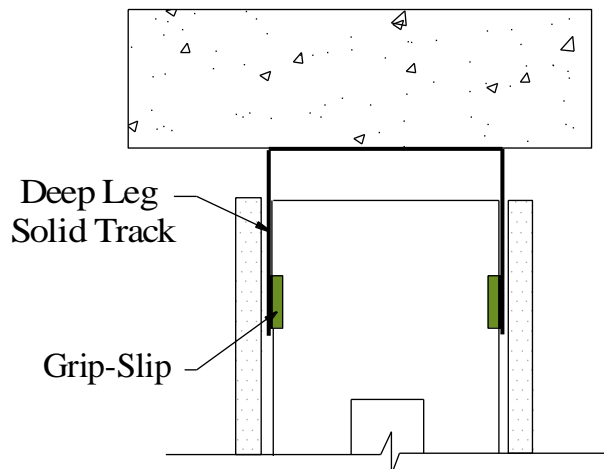


Grip-Slip Clips (GSC) – Stud Retention Slip Clips

- Peel & Stick Positive Grip of Stud Return Lip and Track Flange
 - Collated Strips for Easy Handling & One-Sided Install
 - No Slotted Flanges or Uncentered Screw Install
 - No “Blind Screws”, Clamps, or Screw Guns
 - *100% Unlimited Deflection of Studs*



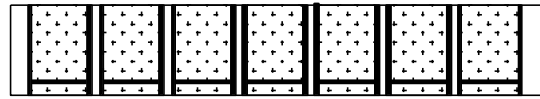
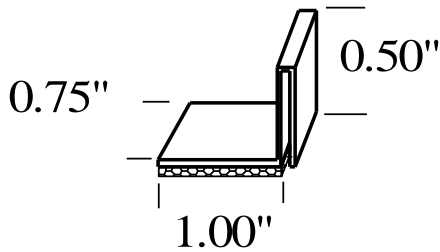
Collated Clips
(12 per Strip)



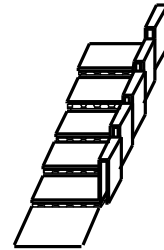
PS41 – Grip-Slip Clips (GSC) – Stud Retention Clip

Composite Metal Stud Return Lip Engaging Clip with “Peel and Stick” Adhesive (PSA) for attachment to lower edge of inner track flange surfaces. GSC clips come in 12” long collated strips and can be installed on one or both sides of stud profile for unlimited vertical deflection. Listed in up to 2-hour UL certified fire rated wall assemblies under UL 2079 v.5 Standards. One Size fits all return stiffening lips up to 1/2” depth of C-shaped metal studs.

- **UL 2079:** *Certified and Listed - Level III (Seismic) Cyclical Rating*
- **UL 2079:** *100% Unencumbered and Unlimited Movement*
- **UL 2079:** *Listed in up to Two Hour Assemblies*



Collated Clips (12 per Strip)



GSC clips are sold by the box

Product	Stud Return Lip	Collated Strip Length	Metal Gauge	PCS/Strip	Box Size	Box Quantity
GSC	0.50”	12”	20	12	4” x 4” x 12”	600

UL, ASTM & Code Standards

UL2079 (5th Edition) & CAN/ULC S115
 ASTM E814, E1966, E2837
 A1003, A653, A924, C645, C754, C955
 Sound Tested according to ASTM E90-09
 2015 & 2018 IBC

Lead Points

MR 2.1 & 2.2 - Construction Waste: up to 2pts
 MR 4.1 & 4.2 - Recycled Content: up to 2 pts
 MR 5.1 & 5.2 - Regional Proximity
 EQ 4.1 - Low Emitting Materials
 EQ 9 - Enhanced Acoustical

Phone: (425) 869-2811 Fax: (425) 869-2300
 U.S. Patent Pending