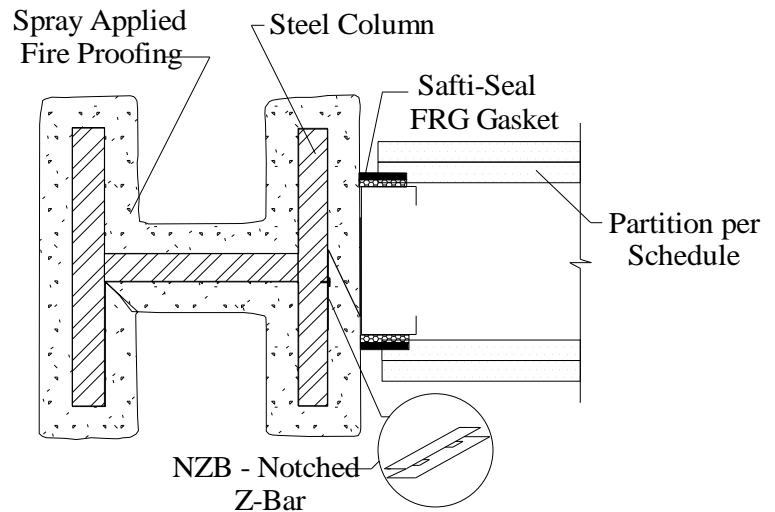
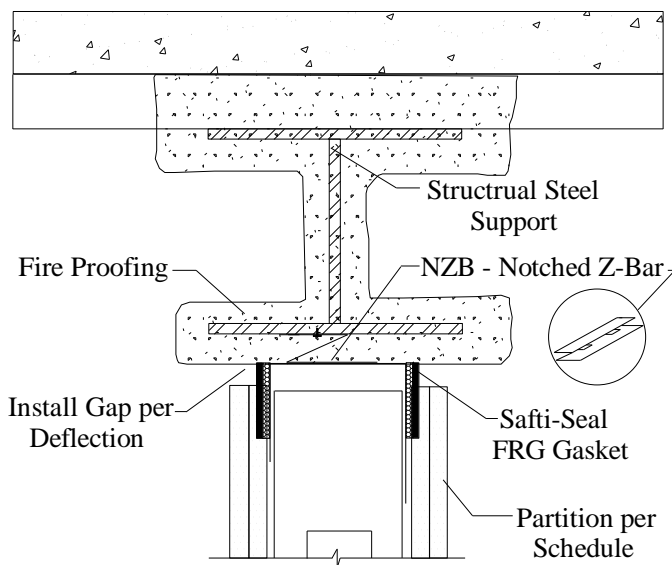
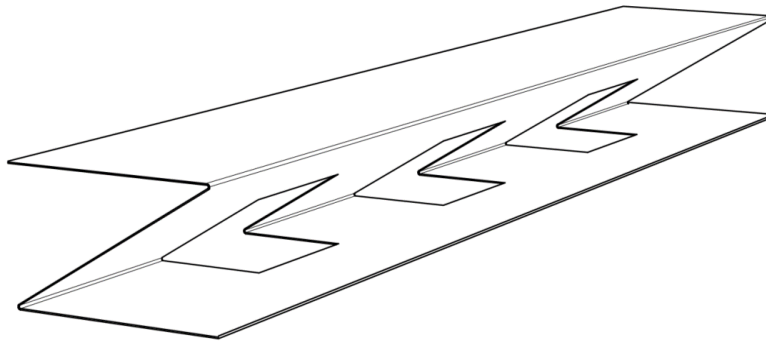


Notched Z-Bar – “NZB”

- Avoid Open Gaps, Hidden Void Defects, & Install Issues of “Spaced Z-Clips”
- Continuous Metal Z-Bar Framing for Attachment & Install Parallel to Wall
- Notched Holes (8.00” O/C) Allow Fastening Support Adjacent Angle Bend
- Triangle Z’s Support Wall & Spray Applied Fire Proofing (SFRM)
- Extend Through SFRM with Wide & Continuous Attachment Surface
- Use Horizontally for Head of Wall Joints Under Beam, Floor, or Roof Deck
- Install Vertically at Columns to support Wall to Wall Joints
- UL Listed [HW-D-0897](#), (Beam) - [HW-D-0901](#) & [HW-D-0902](#) (Fluted Deck)



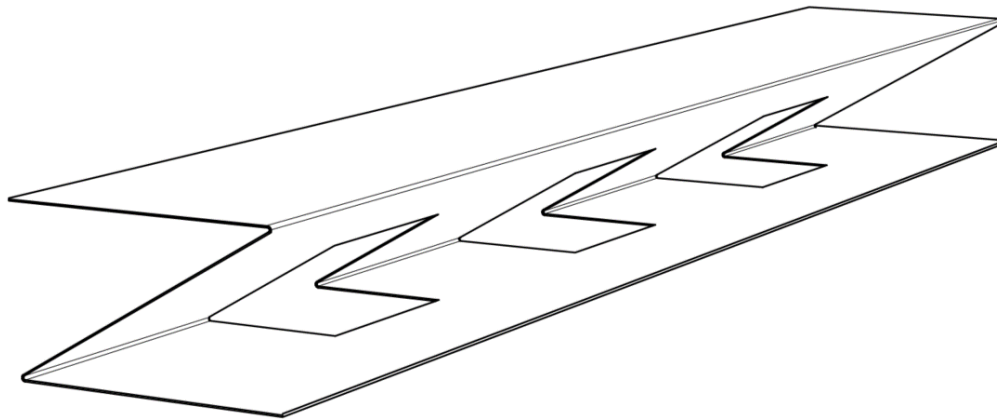
Pat.Pend.

Product Profile Dimensions – Submittal

PS40 - “NZZ” Notched Z-Bar Attachment Profile

Metal “Z-Bar” profile extends through Spray Applied Fire Resistive Material (SFRM) providing continuous support of wall assembly. Notched design allows for attachment adjacent angle bend, support of SFRM, and no “Gaps or Hidden Void Defects” to compromise Life Safety, allow air/smoke/sound leakage, and any “hose stream” blow through. Material acceptable for use in Non-Fire, Smoke, and Sound rated conditions.

- UL Listed [HW-D-0897](#), (Beam) - [HW-D-0901](#) & [HW-D-0902](#) (Fluted Deck)



Product	SFRM Depth	Gauge	Length	Notch O/C
NZB-125-33	1.25”	20	4’	8.00”
NZB-150-33	1.50”	20	4’	8.00”
NZB-125-54	1.25”	16	4’	8.00”
NZB-150-54	1.50”	16	4’	8.00”
NZB-200-54	2.00”	16	4’	8.00”

Custom Depths Available Call for Quote

Pat. Pend.