

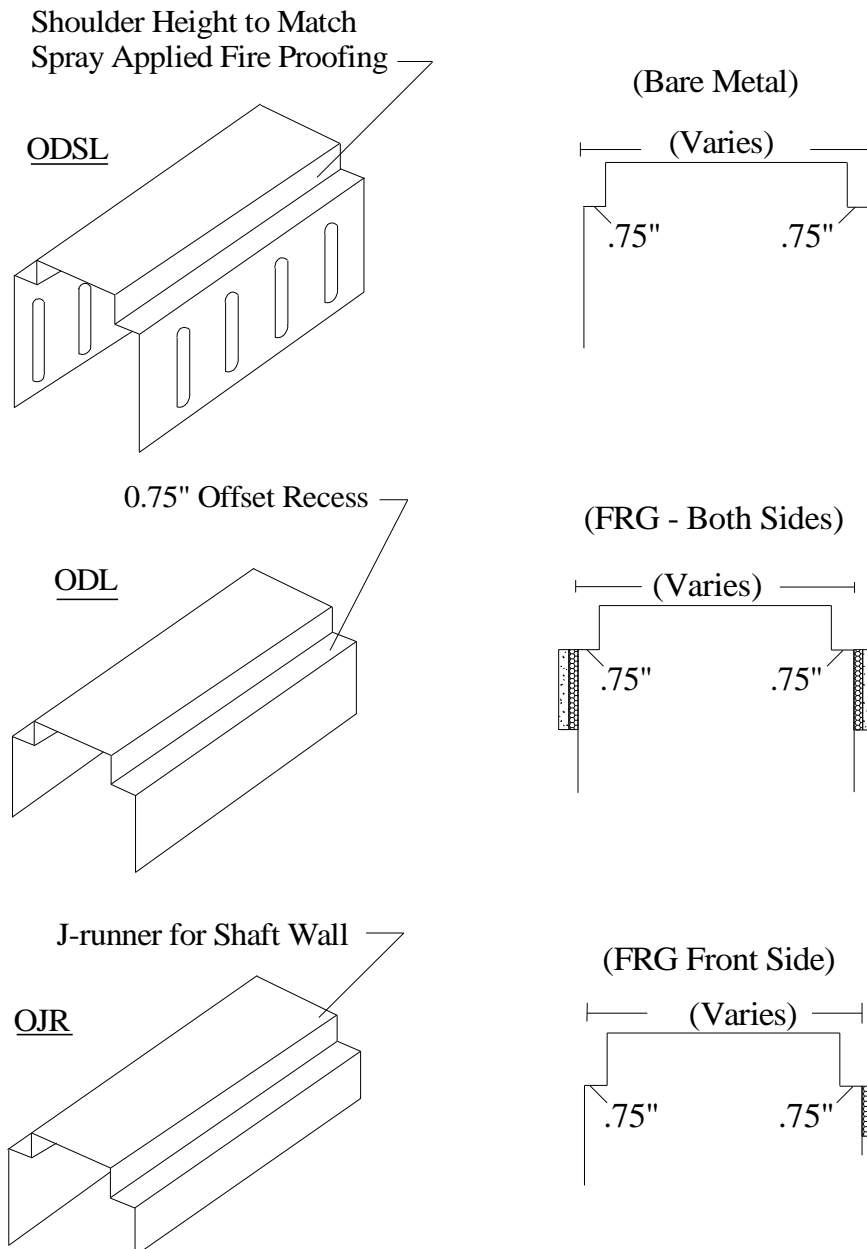


Safti-Seal "Offset Leg Shoulder Profiles"

Third Party Certified in Current UL 2079 v.5 Spray Applied Fire Proofing Assemblies

Provide "Continuous Solid Flange Shield" Eliminate "Z-Clip Gaps" in Fire Proofing

Slotted, Solid & J-Runner Flange Profiles with Variable Upper Leg Depth





UL Listing: [HW-D-0897](#)

Eliminate Pre-Fire Proofing Spray:

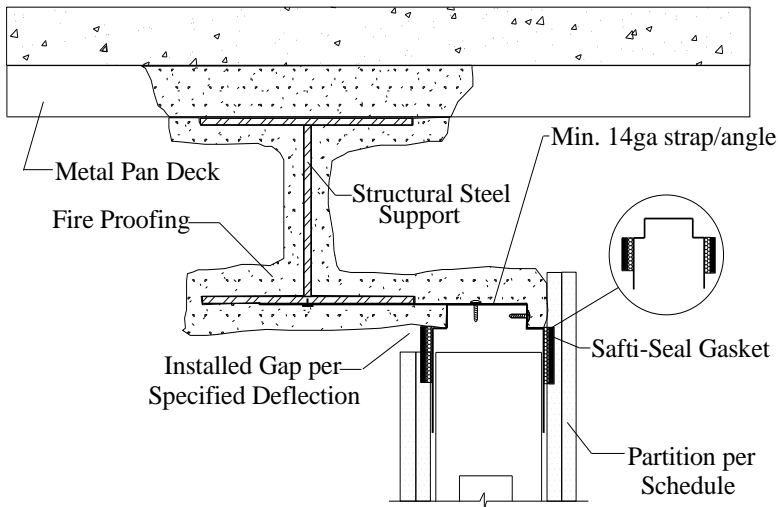
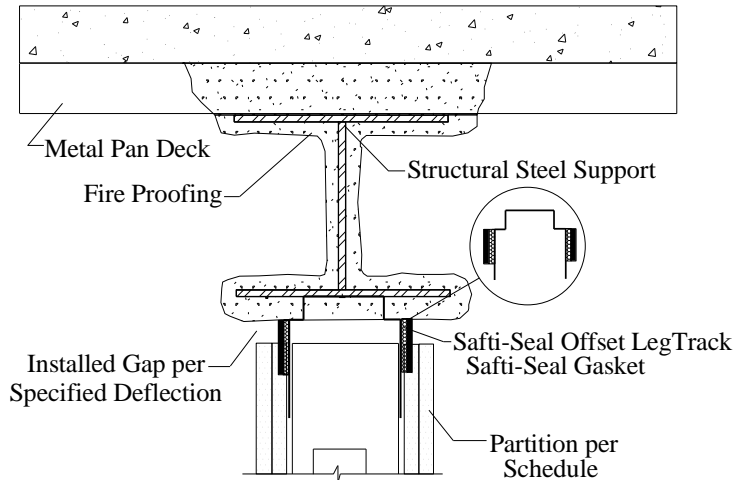
“Z-Clip” Layout

“Z-Clip” Install

“Z-Clip” Scrape

Avoid Gaps/Leakage between Z-Clips

No “Hand Pack” or Reapply “Void Fill”



UL Listing: [HW-D-0897](#)

Eliminate Pre-Fire Proofing Spray:

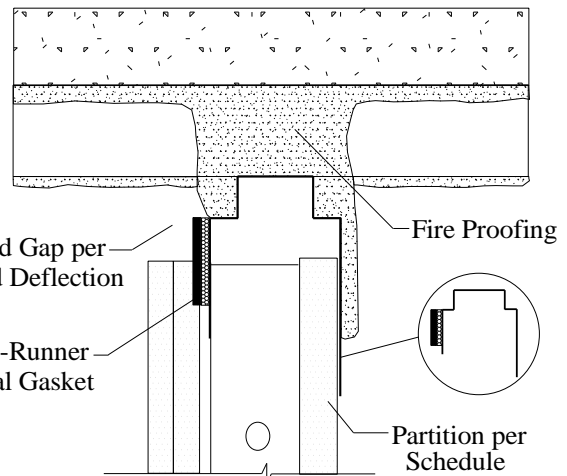
Cantilever “Z-Clip” Layout

Cantilever “Z-Clip” Install

Cut & Fasten Metal Lath “Basket”

No Gaps/Leakage in Cantilevered “Basket”

Avoid Inaccessible Reapply/Fill of Voids



UL Listing: [HW-D-0902](#)

Eliminate Pre-Fire Proofing Spray:

“Z-Clip” Layout

“Z-Clip” Install

“Z-Clip” Scrape

Avoid Gaps/Leakage between Z-Clips

No “Hand Pack” or Reapply “Void Fill”