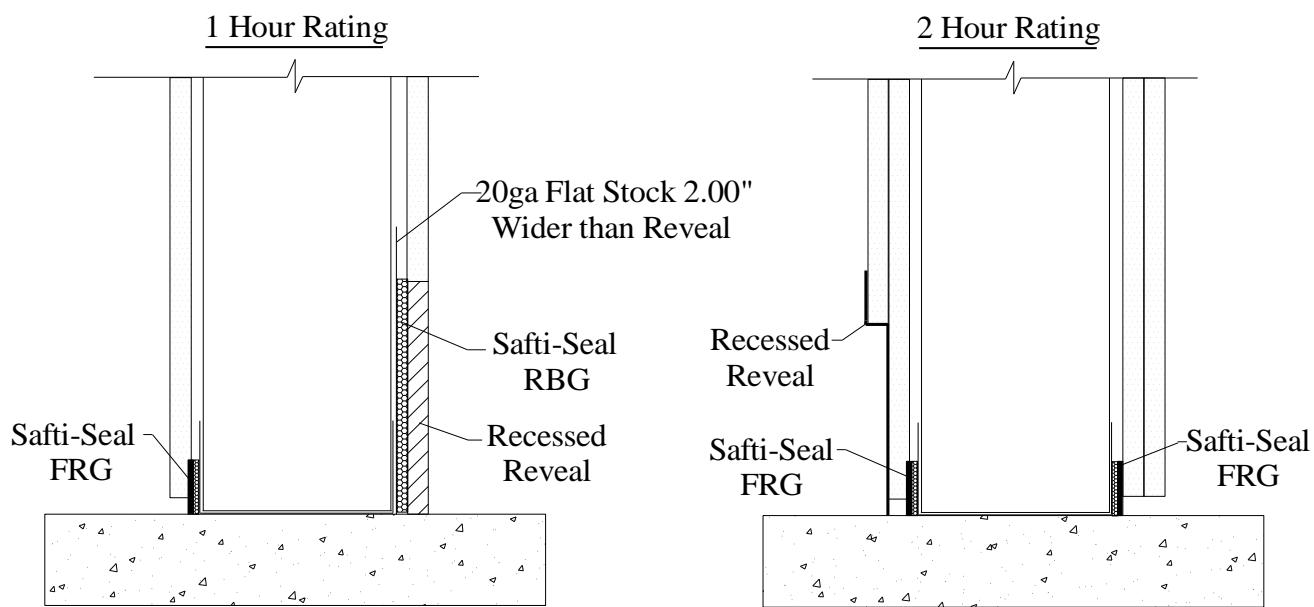
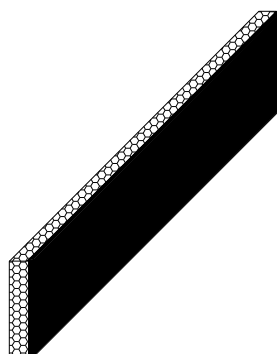
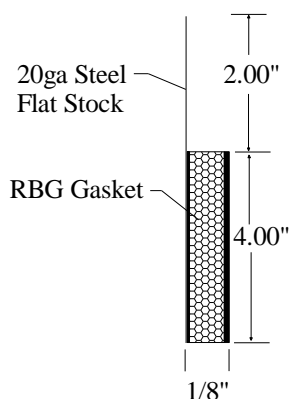




## Recessed Base Gasket – “RBG” & Rated Assemblies

- “Peel & Stick” Recessed Base Gasket Application 1 & 2-Hour Assembly
- Use RBG for 1 Hour Assemblies with Recessed Wood or Metal Trims
- Use FRG Applied to Bottom Track Flange for 2 Hour Assemblies
- Third Party Fire/Smoke (UL 2079 v.5) Certified & Moisture/Water Resistant
- **Temp: Storage & Application: - 10 to 150 °F**





## **Product Profile Dimensions – Submittal**

### **PS38 - “RBG” Recessed Base Gasket – Steel Profile**

Recessed Base Gasket Profile (1 Hour Rating) gasket install over 20ga flat stock with RBG gasket same width as reveal trim/wood. When using RBG for 1 hour – install min. 1/2” thick wood trim or metal recess profile and FRG opposite side. When using for 2 hour rating install FRG-75 Gasket to track flange both sides max 1/2” drywall gap.

- ASTM E-84: *Flame Spread: 0* & *Smoke Development: 0*
- Temp: *Storage & Application - 10 to 150 °F*

