



# Resilient Channel Buildup Framing Solution

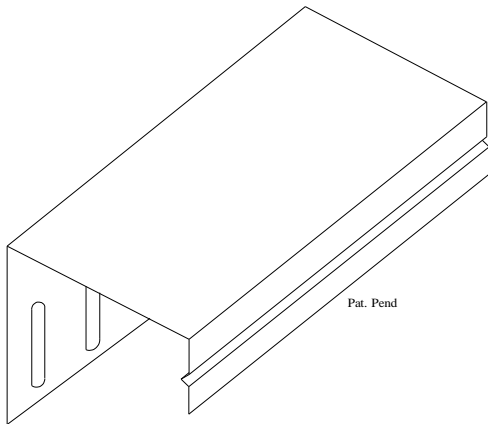


## Safti-Seal "RCS" (Resilient Channel Track - Slotted)

Third Party Certified in Current UL 2079 v.5 Resilient Channel Assemblies

Provide "Code Required" Backing Support of Life Safety Joint Protection

Slotted Flange for Positive Attachment Bracing (Optional)



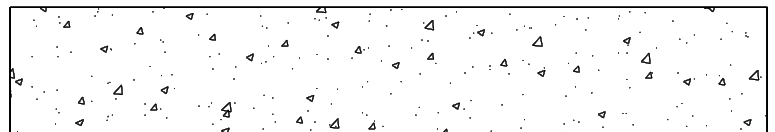
Slotted or Solid Leg Available

Continuous Flange Backing Support of Joint Protection

*Smooth Rib Accommodates Resilient Channel*

*Reduced Contact & No Sharp Edge Scrape or Binding*

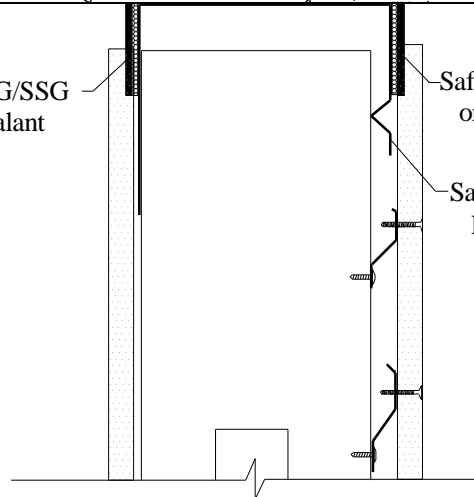
*ASTM E-90: Report # TL-19-183 - (STC 55)*



Safti-Seal FRG/SSG  
or Caulk/Sealant

Safti-Seal FRG/SSG  
or Caulk/Sealant

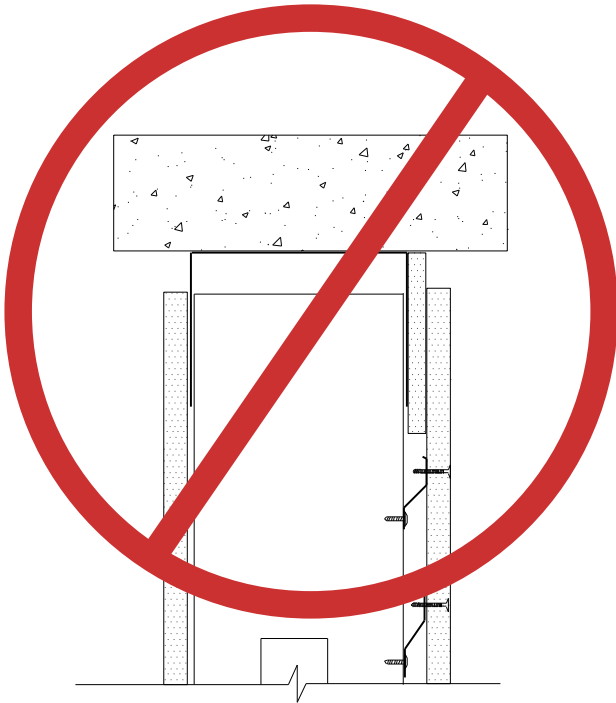
Safti-Seal Resilient Track  
RCS or RCD Profile



### UL Listed Assemblies:

[HW-D-0890](#) - Safti-Seal Joint Protection

[HW-D-0632](#) - Caulk Joint Protection



**Avoid Non-Certified System & Issues:**

- ½” Thick Drywall Fill (Non-Rated)
- Foam Sleeve with “Chimney Gap”
- Caulk or Foam Rod “Balancing Act”
- Vinyl Trims with “Chimney Gap”
- Unsupported & Gap Behind Issues

