



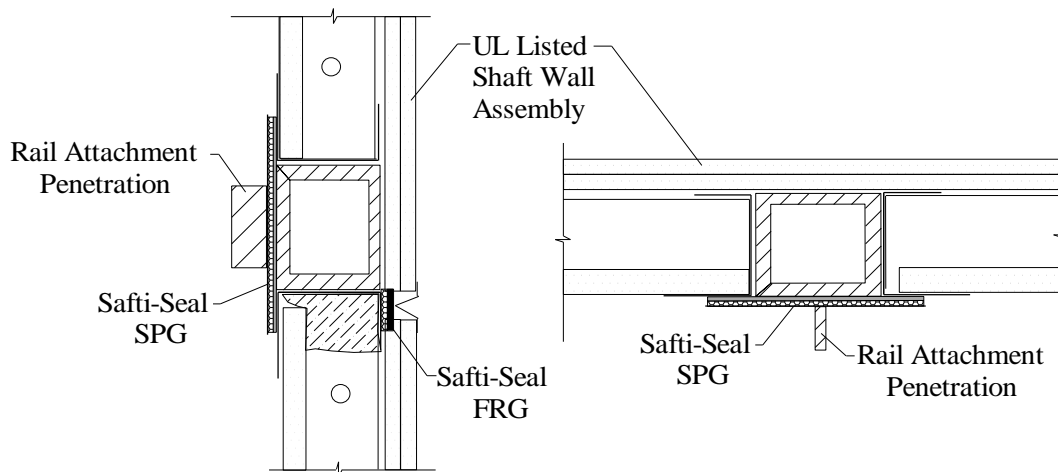
## Shaft Plate Gasket (SPG) - HSS and Beam Shaft Seal Cover

*UL Certified & Listed Shaft Wall Continuation Protection*

**Only 3/16" Thick** – Replace Uncertified “Liner Rip Band Aids” & (1.00”) Buildup

*UL listed for 1 & 2 Hour Assembly Protection*

*UL Listing – [HW-D-0894](#)*



***All SPG Profiles Stocked in 4.00' Lengths***

Install Chart – Horizontal or Perpendicular Conditions			
Product	Width	Gauge	HSS/Beam Gap
SPG-600	6.00"	20	4.00"
SPG-1000	10.00"	20	8.00"

Custom Sizes – Call for Quote

Phone: (425) 869-2811 Fax: (425) 869-2300