

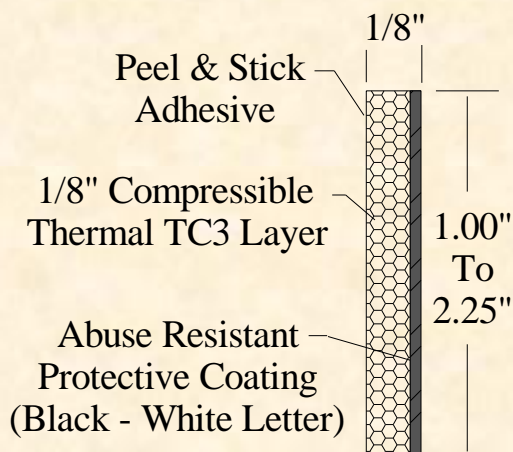


Sound Tested in Accordance  
with ASTM E90-09

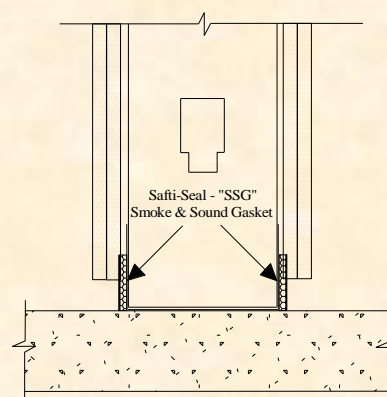
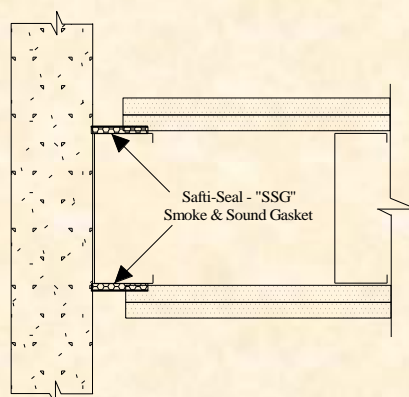
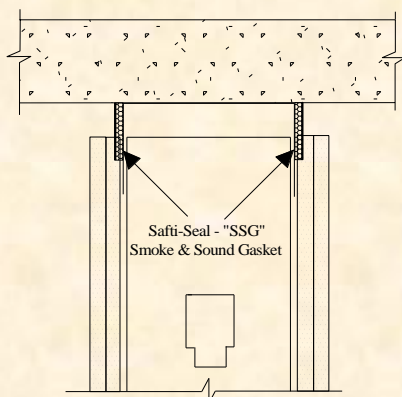


## Smoke-n-Sound Seal Gasket – “SSG”

- “Peel & Stick” Gasket Joint Protection Installed Before MEP, Stud, & Drywall
- Provides 100% Unencumbered Movement – Exposed Black & Paintable Profiles
  - **UL 2079:** *Certified to Level III (Seismic) Cyclical Rating*
  - **ASTM E-90:** *Certified to Exposed Joint Protection (STC 64)*
  - **ASTM E-84:** *Flame Spread = 0 & Smoke Development = 0*
  - **Temp:** *Storage & Application - 10 to 150 °F*



- Accommodate Building Deflection Requirements
- Lifetime Smoke & Sound Protection - No Material Fatigue
- Exposed Shadow Line Reveal or Rating of Cosmetic Tape/Trims



Pat. Pend.