



**Safti-Seal "CJB" (Control Joint Backer)**

***"One Stud Framing Solution"***

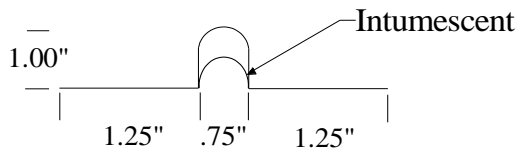
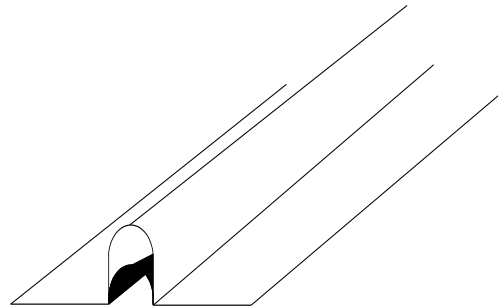
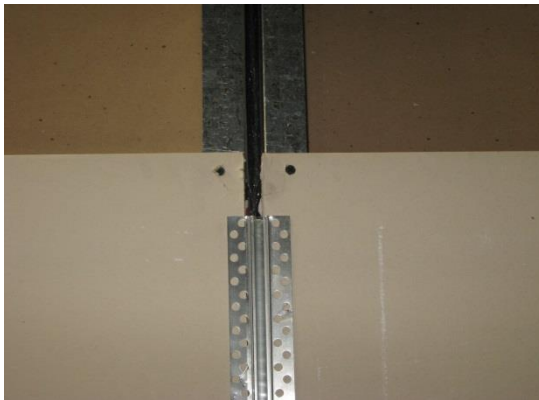
Certified to ASTM E-119 Standards - (WFCi - Report #12033)

Install ***"Pre or Post"*** Obstructions, Missed Layout, or Above Door Short Spans

Eliminate Drywall Rips, Mineral Wool, Caulk, & Second Stud Edge Backing

Early Unobstructed Inspection (***Visual Fire Stop Confirmation***) Before Drywall

Cosmetic Zinc or Vinyl Architectural Control Joint (optional)



Part #	Intumescent Width	Profile Width	Gauge
CJB-18	1.25"	3.25"	.018

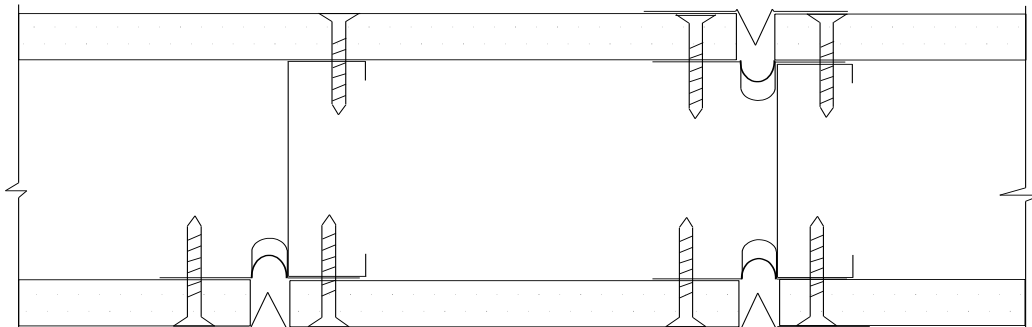




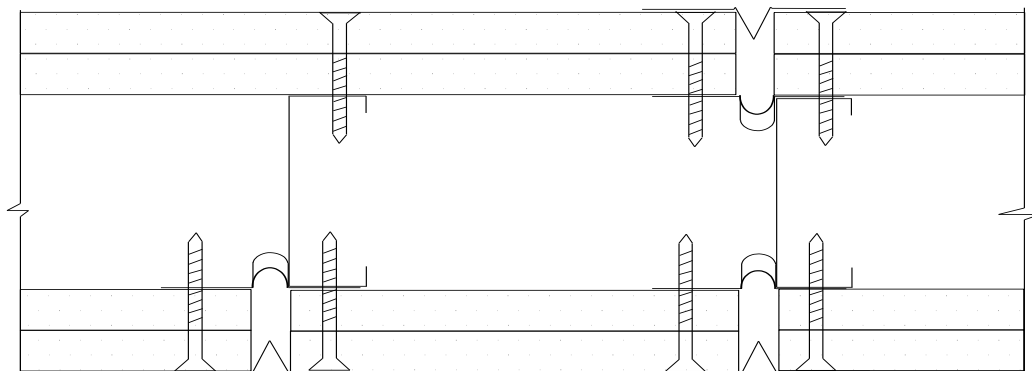
**Installation:**

- Locate first flange of CJB between wall "stud" and wall sheathing
- Fasten CJB max. 8" O/C utilizing wall sheathing fasteners for attachment
- Span wall sheathing from adjacent "stud" and attach to second CJB flange
- Edges of wall sheathing align with edges of intumescent material

**Rated 1 hour - Top View CJB at Stud/Jamb (Single Side & Back to Back)**



**Rated 2 Hour - Top View CJB at Stud/Jamb (Single Side & Back to Back)**

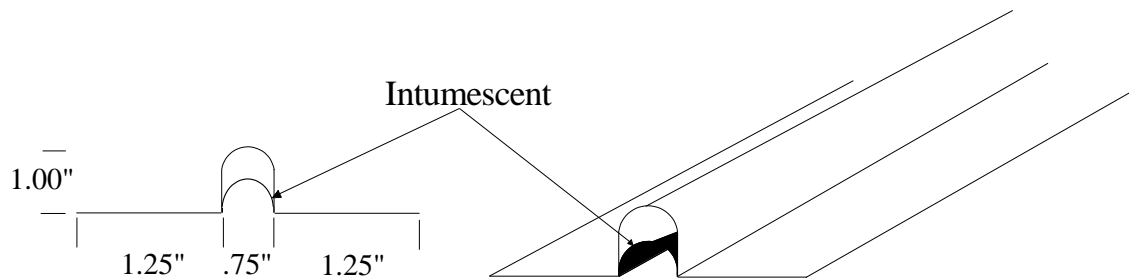


Profiles are manufactured with 25ga galvanized steel complying with ASTM A653 having a minimum G40 coating. Profiles comply with ASTM C645 and are installed behind joints in wall sheathing where control joints (Zinc or Vinyl 093) are installed to prevent face cracking.



**PS26 - “CJB” profiles for Protection of Control Joints**

Composite Gasket/Control Joint Backer Profiles for use to protect Architectural design joints (optional control joint over gap) for up to 2 hr rated assemblies. Tested and certified to ASTM E-119 Standards (WFCi - Report #12033) ***compliant with IBC 715.1 (exception #9)***. Profile sections are fabricated from hot-dipped galvanized steel complying with ASTM A653 with a minimum G40 (25ga). Profiles comply with ASTM C645 and provide a metal profile to support intumescent materials located inside and spanning gap between opposing drywall edges at control joint locations.



Part #	Intumescent Width	Profile Width	Gauge
CJB-18	1.25"	3.25"	.018

**UL, ASTM & Code Standards**

ASTM E-119, UL263, E814  
 A1003, A653, A924, C645, C754, C955  
 2015 & 2018 IBC

**Leed Points**

MR 2.1 & 2.2 - Construction Waste: up to 2pts  
 MR 4.1 & 4.2 - Recycled Content: up to 2 pts  
 MR 5.1 & 5.2 - Regional Proximity  
 EQ 4.1 - Low Emitting Materials  
 EQ 9 - Enhanced Acoustical