



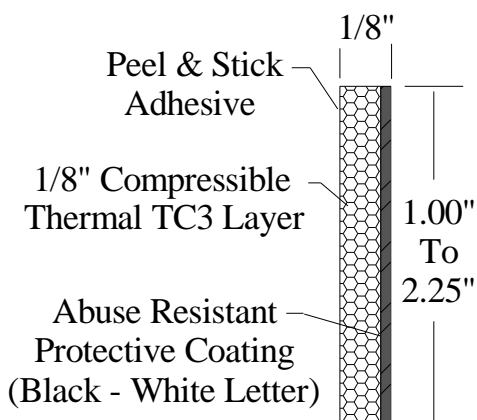
Sound Tested in Accordance  
with ASTM E90-09



## Smoke-n-Sound Seal Gasket – “SSG”

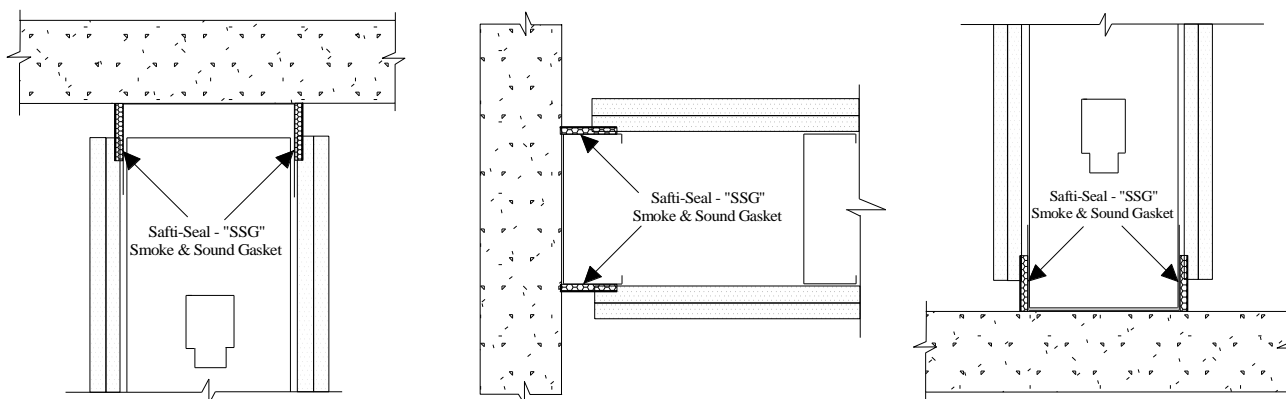
“Peel & Stick” Gasket Joint Protection Installed Before MEP, Stud, & Drywall  
Provides 100% Unencumbered Movement – Exposed Black & Paintable Profiles

- **UL 2079:** Certified to Level III (Seismic) Cyclical Rating
- **ASTM E-90:** Certified to Exposed Joint Protection (STC 64)
- **ASTM E-84:** Flame Spread = 0 & Smoke Development = 0
- **Temp:** Storage & Application - 10 to 150 °F
- **Air Leakage:** Post 500 Cycles (CFM/ft) @ 75°F = .017 & 400°F = .015



Accommodate Building Deflection Requirements

- Lifetime Smoke & Sound Protection - No Material Fatigue
- Exposed Shadow Line Reveal or Rating of Cosmetic Tape/Trims



Pat. Pend.



Sound Tested in Accordance  
with ASTM E90-09

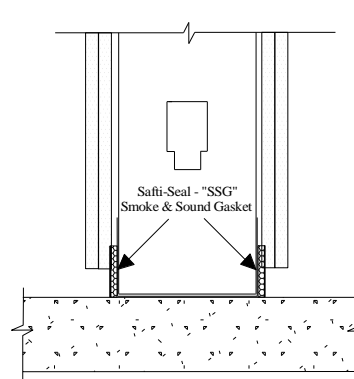
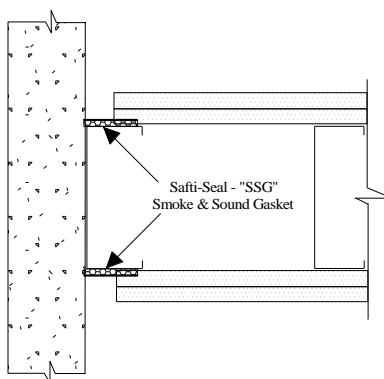
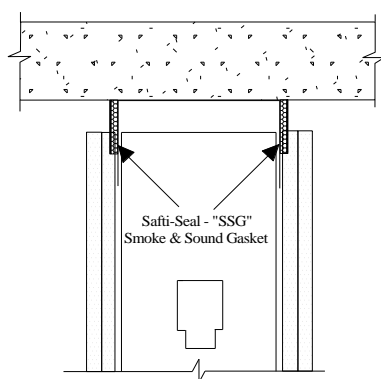
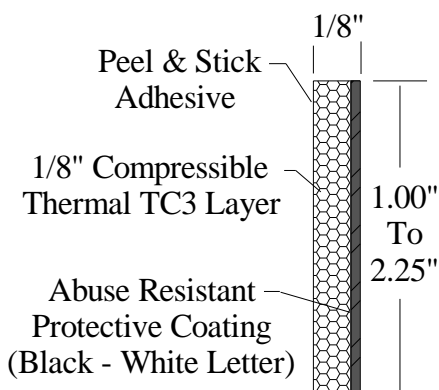


## Product Profile Dimensions – Submittal

### PS2 - “SSG” Smoke & Sound Gasket Seal – “Peel & Stick” Roll

Smoke & Sound Seal Gasket - with Air, Water, & Abuse Resistant Coating. PSA Adhesive for “Peel and Stick” application. Material for use with non-solvent based paint, caulk, sprays, and zinc or vinyl drywall trims. Third party certified for dynamic and static joint conditions.

- ASTM E-90: Reports TL19-103 & 113 - **64 STC** - (based on wall assembly)
- ASTM E-84: *Flame Spread: 0* & *Smoke Development: 0*
- UL 2079 v.5: Level III (Seismic) Cyclical Standard
- Temp: *Storage & Application - 10 to 150 °F*
- Air Leakage: Post 500 Cycles (CFM/lft) @ 75°F = **.017** & 400°F = **.015**



Product	Strip Width	Lft/Roll	Joint Install Width	Max Deflection
SSG-75	1.00”	108’	.375”	.75”
SSG-100	1.00”	108’	.50”	1.00”
SSG-150	1.75”	108’	.75”	1.50”
SSG-200	2.25”	108’	1.00”	2.00”

Pat. Pend.