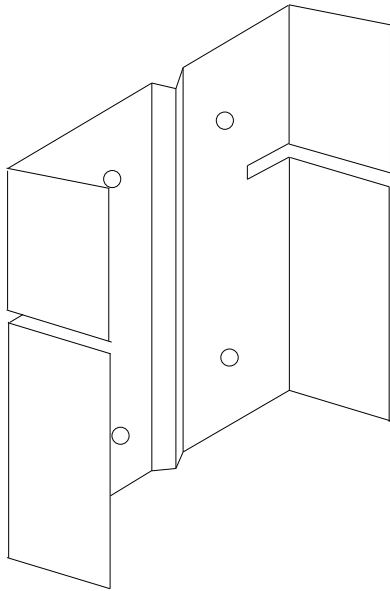


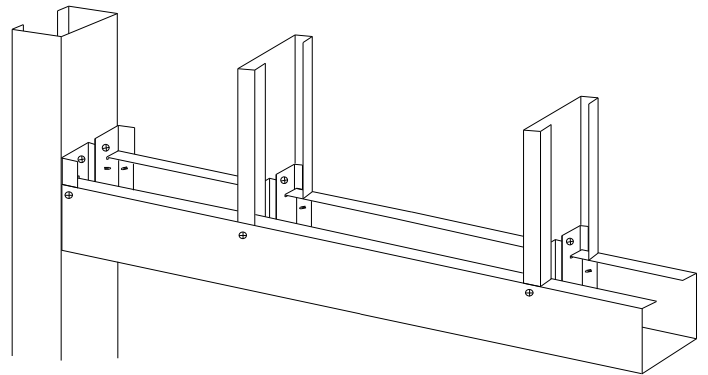
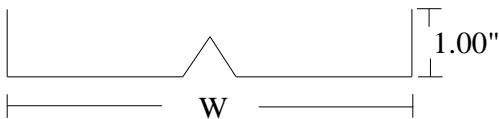


"HJC" Clip - (Header, Jamb, and Cripple)



- ❖ Utilize Single "Jamb" Stud Profile as Header Framing
- ❖ Flush Profile Installation no Buildup Cracking or Excess "Floating" Around Openings to Level
- ❖ Eliminate "Box" Header Assemblies and Custom Shaped Profiles
- ❖ No Field Modification to Cut, Grind, Form, and or Buildup of "Tabbed" Ends
- ❖ Eliminate "Cripple Track" and Buildup Above Header Profile
- ❖ No "Pre-Insulation" - Avoid Insulation Exposure and Moisture Retention Issues

- ❖ Universal Clip for Jamb Attachment, Header Stiffening/Support, and Cripple Stud Attachment
- ❖ Slotted to Accommodate Header Return Stiffening Lips
- ❖ "Center Rib" for Increased Strength
- ❖ 1.00" Legs allow "Throat" or alternate "Back to Back" Cripple Attachment



Part #	Header	Clip O/D
362HJC - 54	3 5/8"	3 1/2"
400HJC - 54	4"	3 7/8"
600HJC - 54	6"	5 7/8"

Patent Pending

- ❖ 16ga - 2.00" to 3.50" Flange Widths
- ❖ 18ga - 1.25" to 1.625" Flange Widths



"HJC" Clip - (Header, Jamb, and Cripple)

Safti-Seal Single Piece Header Span Table (Interior)

5 PSF Lateral Load & 10 PSF Dead Load (Interior)¹²
(7ft Min Head Height)

		Wall Height 9'-0"		Wall Height 12'-0"		Wall Height 15'-0"		Wall Height 20'-0"	
Header	Gauge	Max Span	Head to	Max Span	Head to	Max Span	Head to	Max Span	Head to
Profile	(mil)	L/240	Jamb	L/240	Jamb	L/240	Jamb	L/240	Jamb
362S125-33	33	4'-3"	T4	2'-10"	T4	2'-3"	T4	--	--
362S200-33	33	7'-3"	T1	5'-0"	T1	4'-1"	T1	3'-3"	T1
362S200-43	43	8'-7"	T1	5'-10"	T1	4'-8"	T1	3'-9"	T1
362S200-54	54	9'-8"	T1	7'-1"	T1	6'-1"	T1	5'-1"	T1
362S300-33	33	9'-0"	T1	6'-4"	T1	5'-2"	T1	4'-2"	T2
362S300-43	43	10'-7"	T1	7'-5"	T1	6'-0"	T1	4'-10"	T1
362S300-54	54	13'-4"	T2	9'-10"	T1	8'-2"	T1	6'-7"	T1
362S300-68	68	14'-4"	T2	10'-6"	T2	9'-0"	T2	7'-4"	T2
400S125-33	33	4'-4"	T4	2'-10"	T4	2'-3"	T4	--	--
400S200-33	33	7'-6"	T1	5'-1"	T1	4'-1"	T1	3'-3"	T1
400S200-43	43	8'-9"	T1	5'-11"	T1	4'-9"	T1	3'-9"	T1
400S200-54	54	9'-9"	T1	7'-2"	T1	6'-1"	T1	5'-2"	T1
400S300-33	33	9'-3"	T1	6'-6"	T1	5'-3"	T1	4'-2"	T1
400S300-43	43	10'-9"	T1	7'-6"	T1	6'-1"	T1	4'-11"	T1
400S300-54	54	13'-6"	T2	9'-11"	T1	8'-3"	T1	6'-8"	T1
400S300-68	68	14'-6"	T2	10'-8"	T2	9'-1"	T2	7'-6"	T2
600S125-33	33	4'-6"	T4	2'-11"	T4	2'-4"	T4	--	--
600S200-33	33	8'-0"	T1	5'-3"	T1	4'-3"	T1	3'-4"	T1
600S200-43	43	9'-3"	T1	6'-2"	T1	4'-11"	T1	3'-10"	T1
600S200-54	54	10'-0"	T1	7'-4"	T1	6'-3"	T1	5'-3"	T1
600S300-33	33	10'-1"	T1	6'-10"	T1	5'-6"	T1	4'-5"	T2
600S300-43	43	11'-9"	T2	8'-0"	T1	6'-5"	T1	5'-1"	T1
600S300-54	54	13'-10"	T2	10'-1"	T2	8'-7"	T2	7'-0"	T2
600S300-68	68	15'-2"	T2	11'-1"	T2	9'-5"	T2	7'-10"	T2
800S200-43	43	--	--	--	--	5'-0"	T1	3'-11"	T1
800S200-54	54	--	--	--	--	6'-3"	T1	5'-4"	T1
800S300-43	43	--	--	--	--	6'-7"	T1	5'-2"	T1
800S300-54	54	--	--	--	--	8'-8"	T2	7'-1"	T2
800S300-68	68	--	--	--	--	9'-7"	T2	8'-0"	T2

Table Notes: (See notes under Exterior Table)

etail D1 for minimum thickness and other properties

3. 33mil & 43mil to have a minimum yield stress of 33 ksi. 54mil & 68mil steel to have a minimum yield of 50 ksi.

4. Spans based on header properties only and do not consider jamb stud capacity. Jamb design by others.

5. Header spans are based on loading conditions indicated in table only. Members have not been analyzed for point loads.

6. **Contact Safti-Seal for framing Conditions not indicated.**

7. See detail A1 for opening framing schematic and assumptions

8. All calculations based on 2007 AISI. Per IBC a 0.7 factor is applied to wind load to evaluate lateral deflection

9. Properties of header members for this table have been calculated using CFS version 7.0.0 (RSG Software).

10. Member Analysis assumes that the materials and protective coatings for the cold-formed steel used to manufacture the header members matches the relevant ASTM requirements used for the production of SSMA members.

11. Cripple framing to be at 24in O.C. max. Attach cripple studs to head with HJC Clip as indicated in details B1, B2, & B3

12. Analysis assumes sheathing at one face of head and cripple framing min.

13. See head to Jamb Connection detail T1 at T1 callout, Head to Jamb Connection detail T2 at T2 callout, and Head to Jamb Connection detail T4 at T4 callout.

14. Architect or Engineer of record to determine profile required and verify adequate connection of profile



"HJC" Clip - (Header, Jamb, and Cripple)

Safti-Seal Single Piece Header Span Table (Exterior)										
20 PSF Lateral Load & 12 PSF Dead Load (Exterior) ¹² (7ft Min Head Height)										
		Wall Height 9'-0"			Wall Height 12'-0"			Wall Height 15'-0"		
Header	Gauge	Max Span	Max Span	Head to	Max Span	Max Span	Head to	Max Span	Max Span	Head to
Profile	(mil)	L/240	L/360	Jamb	L/240	L/360	Jamb	L/240	L/360	Jamb
362S300-33	33	5'-10"	5'-10"	T2	4'-6"	4'-6"	T2	3'-10"	3'-10"	T2
362S300-43	43	6'-10"	6'-10"	T2	5'-3"	5'-3"	T2	4'-5"	4'-5"	T2
362S300-54	54	9'-3"	9'-3"	T3	7'-0"	7'-0"	T3	6'-0"	6'-0"	T3
362S300-68	68	10'-6"	10'-6"	T3	8'-1"	8'-1"	T3	6'-10"	6'-10"	T3
362S350-54	54	9'-6"	9'-6"	T3	7'-6"	7'-6"	T3	6'-4"	6'-4"	T3
362S350-68	68	11'-0"	11'-0"	T3	8'-7"	8'-7"	T3	7'-3"	7'-3"	T3
400S300-33	33	6'-1"	6'-1"	T2	4'-8"	4'-8"	T2	3'-11"	3'-11"	T2
400S300-43	43	7'-2"	7'-2"	T2	5'-5"	5'-5"	T2	4'-7"	4'-7"	T2
400S300-54	54	9'-7"	9'-7"	T3	7'-3"	7'-3"	T3	6'-2"	6'-2"	T3
400S300-68	68	11'-0"	11'-0"	T3	8'-5"	8'-5"	T3	7'-1"	7'-1"	T3
400S350-54	54	9'-11"	9'-11"	T3	7'-9"	7'-9"	T3	6'-7"	6'-7"	T3
400S350-68	68	11'-6"	11'-6"	T3	8'-11"	8'-11"	T3	7'-6"	7'-6"	T3
600S300-33	33	7'-1"	7'-1"	T2	5'-3"	5'-3"	T2	4'-3"	4'-3"	T2
600S300-43	43	8'-4"	8'-4"	T3	6'-2"	6'-2"	T3	5'-1"	5'-1"	T3
600S300-54	54	11'-3"	11'-3"	T3	8'-4"	8'-4"	T3	6'-11"	6'-11"	T3
600S300-68	68	13'-0"	13'-0"	T3	9'-5"	9'-5"	T3	7'-11"	7'-11"	T3
600S350-54	54	11'-10"	11'-10"	T3	8'-11"	8'-11"	T3	7'-5"	7'-5"	T3
600S350-68	68	13'-9"	13'-9"	T3	10'-3"	10'-3"	T3	8'-6"	8'-6"	T3

Table Notes:

1. Header material shall be formed from galvanized ASTM A653, Grade D Steel.
2. Gauge thickness to be per SSMA, see detail D1 for minimum thickness and other properties
3. 33mil & 43mil to have a minimum yield stress of 33 ksi. 54mil & 68mil steel to have a minimum yield of 50 ksi.
4. Spans based on header properties only and do not consider jamb stud capacity. Jamb design by others.
5. Header spans are based on loading conditions indicated in table only. Members have not been analyzed for point loads.
6. **Contact Safti-Seal for framing Conditions not indicated.**
7. See detail A1 for opening framing schematic and assumptions
8. All calculations based on 2007 AISI. Per IBC a 0.7 factor is applied to wind load to evaluate lateral deflection
9. Properties of header members for this table have been calculated using CFS version 7.0.0 (RSG Software)).
10. Member Analysis assumes that the materials and protective coatings for the cold-formed steel used to manufacture the header members matches the relevant ASTM requirements used for the production of SSMA members.
11. Cripple framing to be at 24in O.C. max. Attach cripple studs to head with HJC Clip as indicated in details B1, B2, & B3
12. Analysis assumes sheathing at one face of head and cripple framing min.
13. See head to Jamb Connection detail T2 at T2 callout, Head to Jamb Connection detail T3 at T3 callout, and Head to Jamb Connection detail
14. Architect or Engineer of record to determine profile required and verify adequate connection of profile



"HJC" Clip - (Header, Jamb, and Cripple)

Head to Jamb Connections

