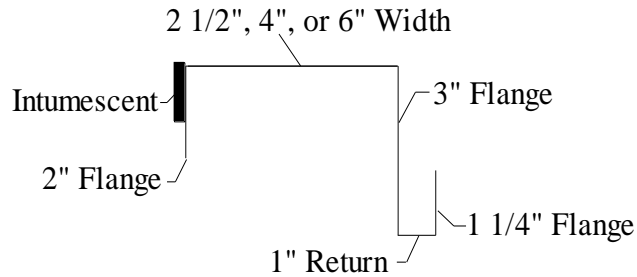




Double J-Runner “DJR” Continued Rating Shaft Side

Double J-Runner Rated Profile

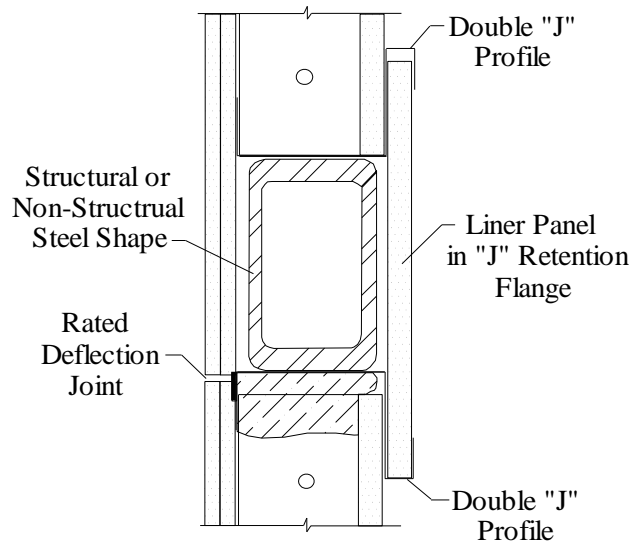


- One Shaftwall Profile Top & Bottom
- “J-Retention” Secures Liner Rip
- Rip Install at Framing (no screws)
- UL Level III (seismic) movement
- Avoid “Short Circuit” Failure of Fastening Rip to Both Levels
- Horizontal and Vertical Applications

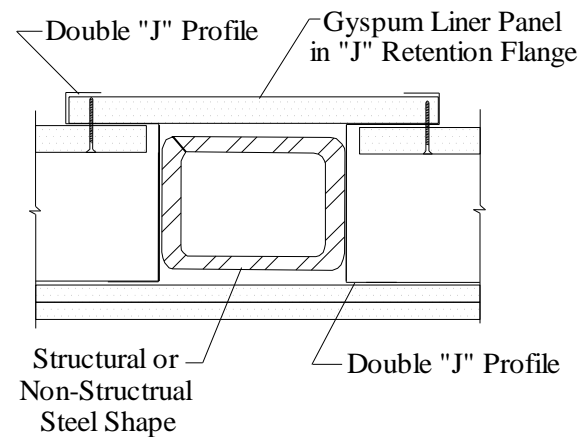
Double J-runner Install



Hollow Steel Shape (HSS) – Horizontal



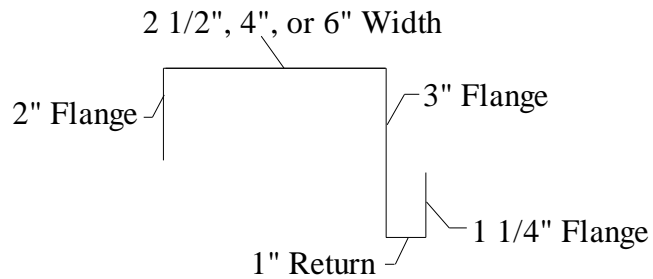
Hollow Steel Shape (HSS) – Vertical





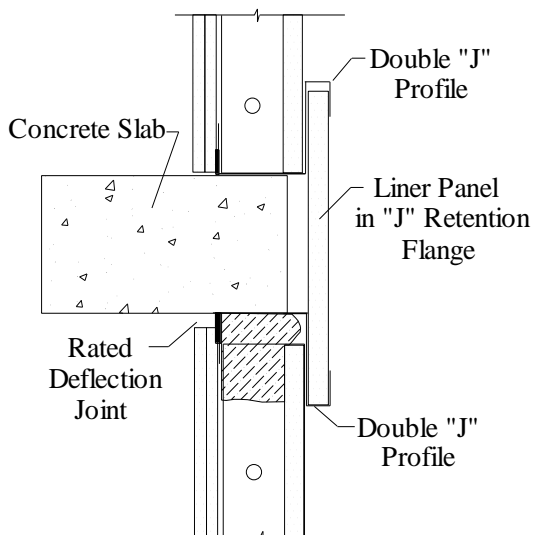
Double J-Runner “DJR” Continued Rating Shaft Side

Double J-Runner Bare Profile



- Safe Install of Shaft Side Liner Panel from Finished Side of Assembly During Framing
- Avoid “Reach Around/Dangle” or “Elevator Ride” to Access and Screw Liner Rips from Shaft Side
- Eliminate “Snapping Off” Screws & Failure of Secure Liner Attachment

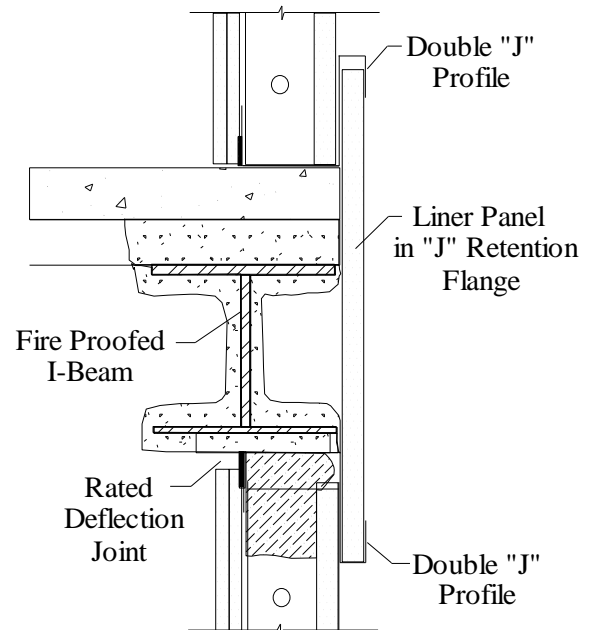
Concrete Overhang Protection



Listed in UL Assemblies

- [HW-D-0496](#) - (Concrete Slab Edge)
- [HW-D-0504](#) - (Fluted Metal Deck)
- [HW-D-0631](#) - (Under I-Beam)

I-Beam Pocket



Availability:

- 2 1/2", 4" & 6" – 20, 18, & 16ga
- Solid Legs (DJR) – Bare or Rated
- Data Sheets - www.saftiseal.com

Additional Technical Service

- Call: 425-869-2811
- Fax: 425-869-2300
- Email: info@saftiseal.com