



Resilient Channel Buildup Framing Solution

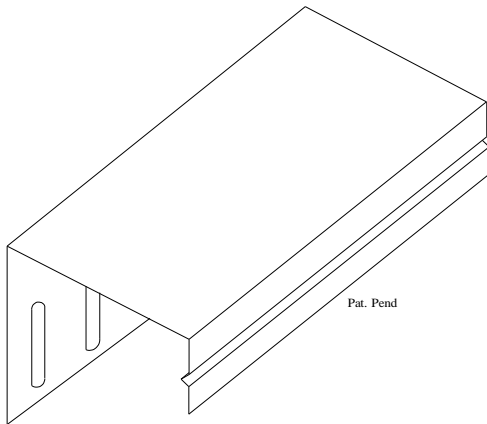


Safti-Seal "RCS" (Resilient Channel Track - Slotted)

Third Party Certified in Current UL 2079 v.5 Resilient Channel Assemblies

Provide "Code Required" Backing Support of Life Safety Joint Protection

Slotted Flange for Positive Attachment Bracing (Optional)



Slotted or Solid Leg Available

Continuous Flange Backing Support of Joint Protection

Smooth Rib Accommodates Resilient Channel

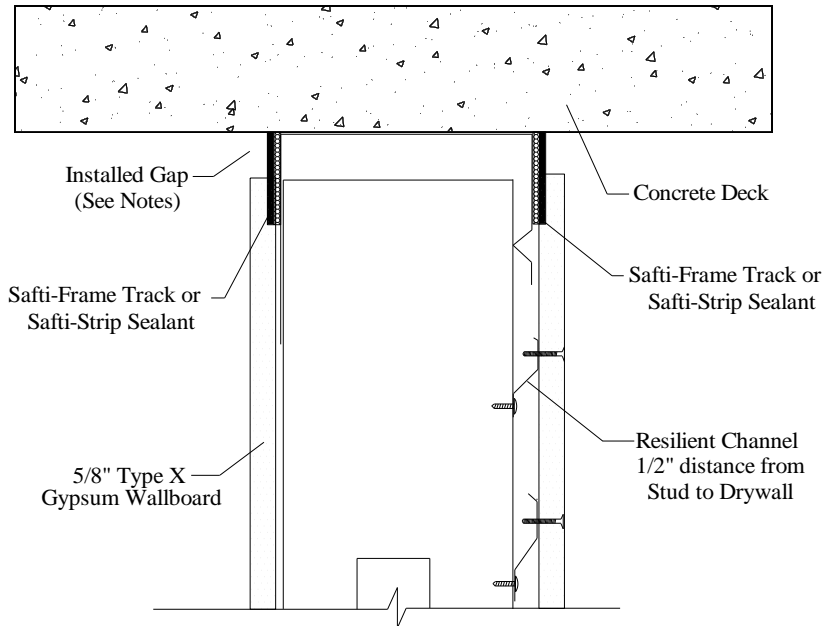
Reduced Contact & No Sharp Edge Scrape or Binding

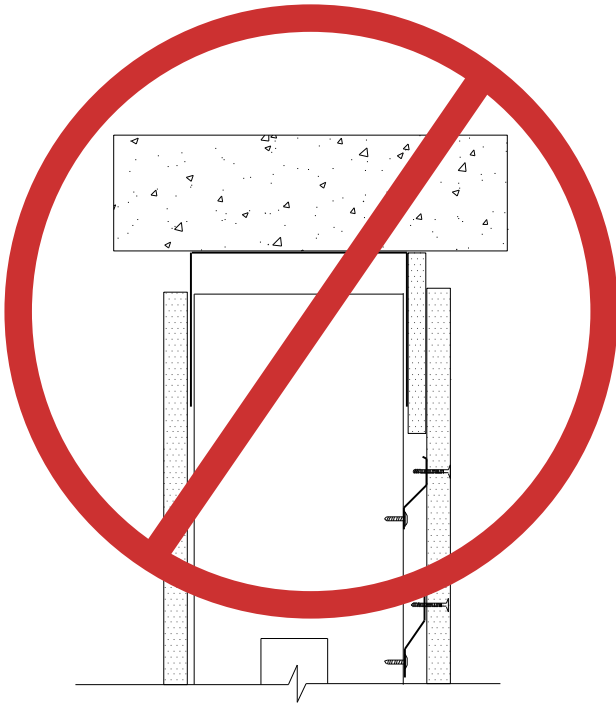
ASTM E-90: Report # TL-19-183 - (STC 55)

UL Listed Assemblies:

[HW-D-0890](#) - Safti-Strip Joint Protection

[HW-D-0632](#) - Caulk Joint Protection





Avoid Non-Certified System & Issues:

- 1/2" Thick Drywall Fill (Non-Rated)
- Track Cap & Foam Sleeve Systems
- Caulk, Foam, Vinyl Trim Insert
Unsupported & Gap Behind Issues

