

Project Submittal – Concrete - PT/Slab



Submittal Packet - Concrete - PT/Slab

1. Plan Set Details "Typical" Conditions for Flat Concrete Substrate with links to UL/Third party Listed Assemblies and Safti-Seal Detailed FRG (Fire Rated Gasket), SSG (Smoke-n-Sound Gasket), and BSG (Butt Strip Gasket) Assemblies
2. Product Profiles and Submittal Sheets commonly used for Flat Concrete Substrate
3. Documentation:
 - Typical Detailed Assemblies
 - STC Reference Sheet
 - LEED Data Sheet

*****Click on Blue Highlighted to follow Direct Links*****

Additional Assemblies, Solutions, & Information available at www.saftiseal.com

[Fire Rated Gasket Profile - Flyer](#)

[Smoke-n-Sound Gasket Profile – Flyer](#)

[Control Joint/Continuation Gasket Profile – Flyer](#)

[Double J Shaft Wall Solutions - Flyer](#)

[Resilient Channel Assembly Solutions - Flyer](#)

[Header Assemblies - HJC Clip](#)

Backing Assemblies - [NSB](#) & [FBP](#)

[Installation, Recommendations, Repair](#)

[Chemical Compatibility with Sealants](#)

[Material Safety Data Sheets](#)

[Buy American Act Certification](#)

Assembly and Product Certifications and Leeds

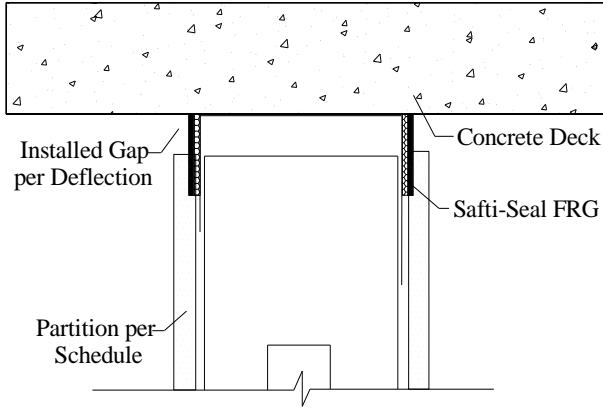
UL, ASTM & Code Standards

UL2079 (5th Edition) & CAN/ULC S115
ASTM E814, E1966, E2837
A1003, A653, A924, C645, C754, C955
Sound Tested according to ASTM E90-09
2015 & 2018 IBC

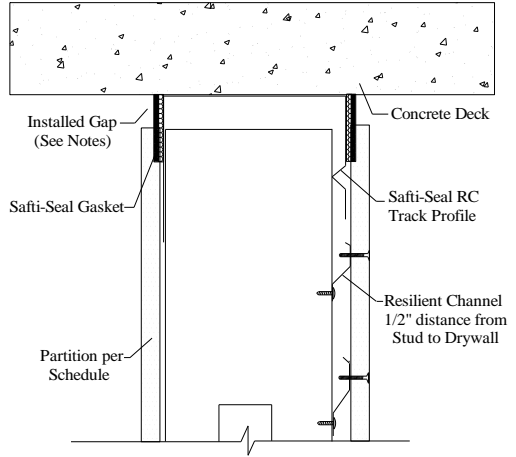
Leed Points

MR 2.1 & 2.2 - Construction Waste: up to 2pts
MR 4.1 & 4.2 - Recycled Content: up to 2 pts
MR 5.1 & 5.2 - Regional Proximity
EQ 4.1 - Low Emitting Materials
EQ 9 - Enhanced Acoustical

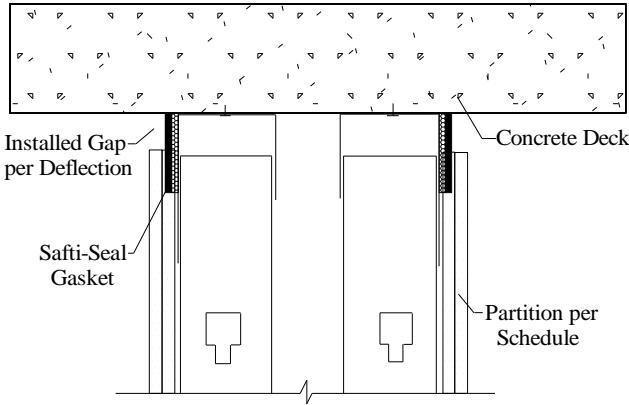
Project Submittal – Concrete - PT/Slab



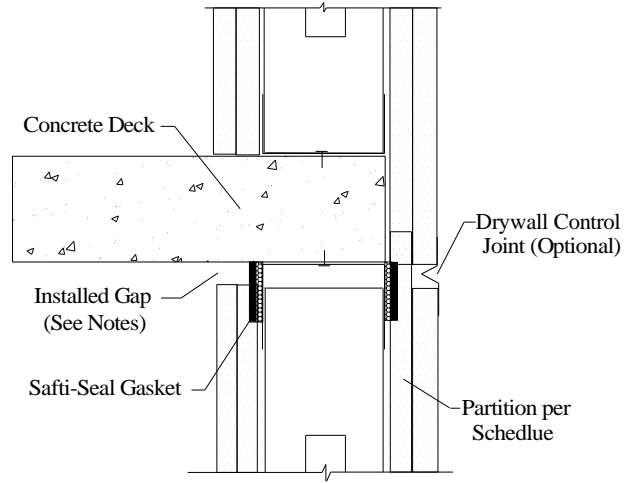
1 Single Wall
UL Ref. [HW-D-0890](#)



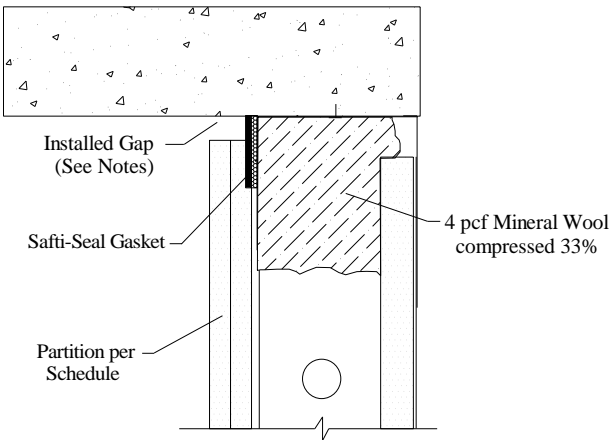
2 Resilient Channel Wall – RC Track
UL Ref. [HW-D-0890](#)



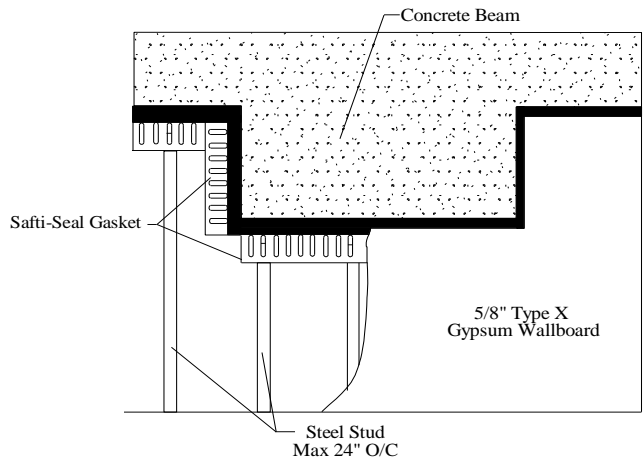
3 Chase Wall – (PT2)
UL Ref. [HW-D-0892](#)



4 Stair/Floor Line Control Joint – (PT4)
UL Ref. [HW-D-00893](#)

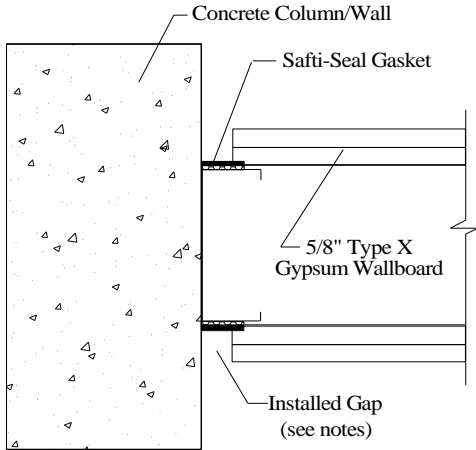


5 Shaft Wall – (PT3)
UL Ref. [HW-D-0889](#)

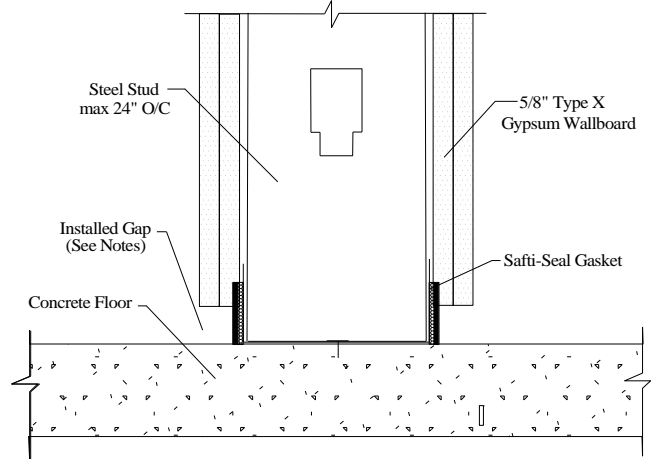


6 Concrete Beam Penetration – (PT1)
UL Ref. [HW-D-0890](#)

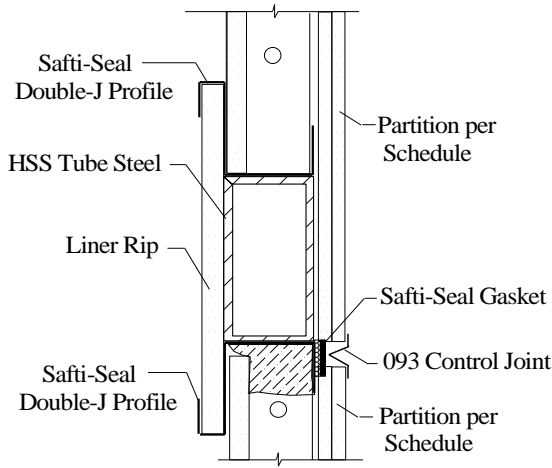
Project Submittal – Concrete - PT/Slab



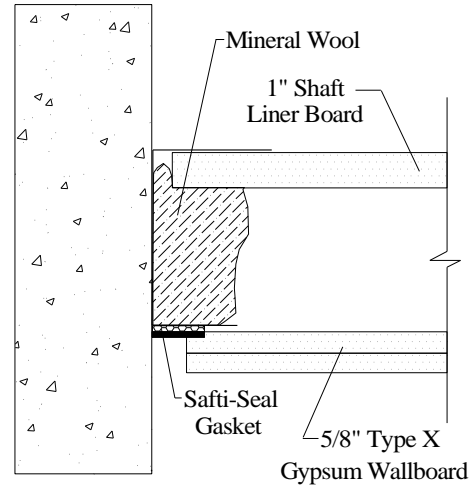
7 Vertical Wall to Wall – (PT11)
UL Ref. [WW-S-0089](#)



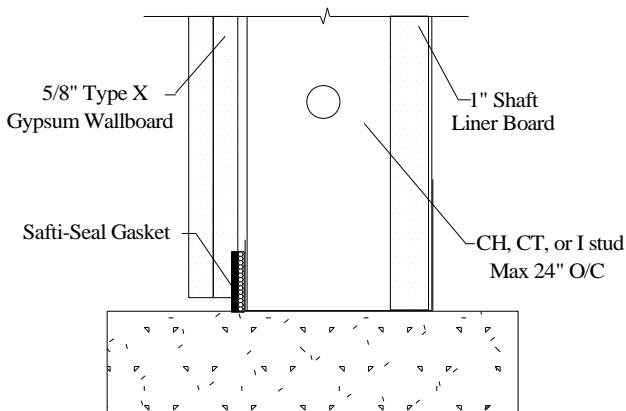
8 Bottom of Wall – (PT6)
UL Ref. [BW-S-0055](#)



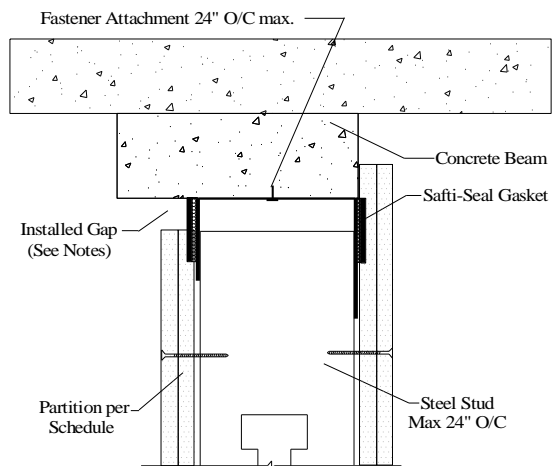
9 Shaft HSS – Double J – (VM14)
UL Ref. [HW-D-0894](#)



10 Vertical Shaft Wall – (PT12)
UL Ref. [WW-S-0088](#)

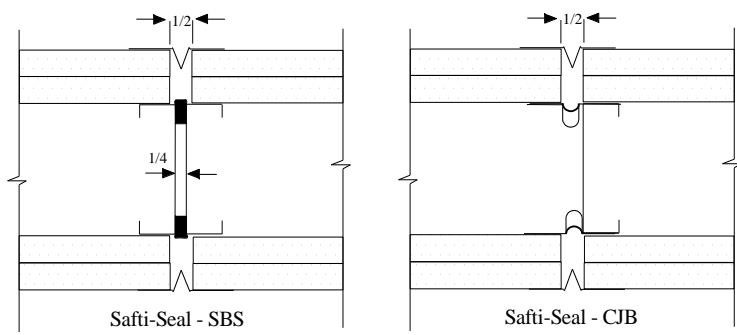


11 Bottom of Shaft Wall – (VM12)
UL Ref. [BW-S-0054](#)

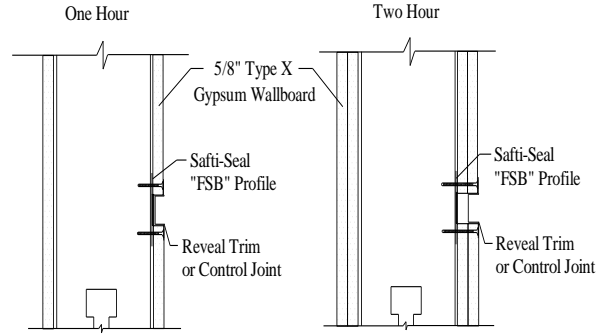


12 Concrete Beam Edge – (PT1)
UL Ref. [HW-D-0890](#)

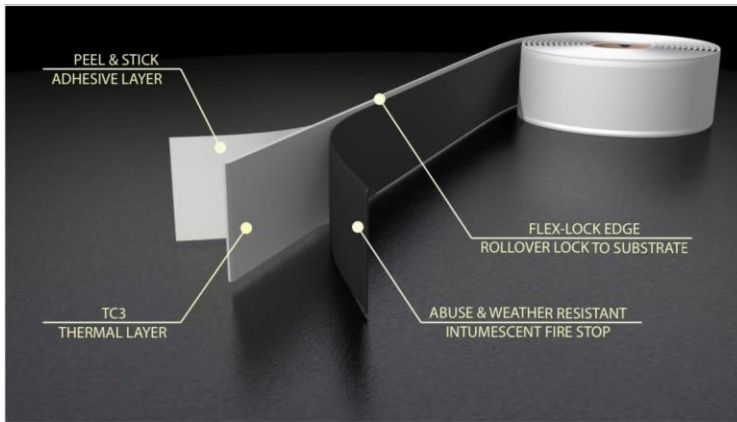
Project Submittal – Concrete - PT/Slab



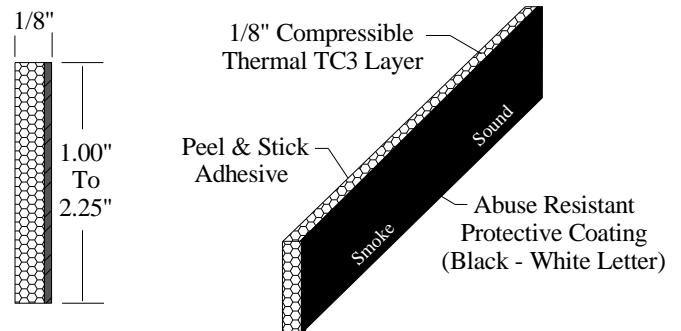
13 Control Joint – Butt Strip or CJB – ([VM8](#))
UL Ref. WW-D-0257 & WFCi Ref. [#12033](#)



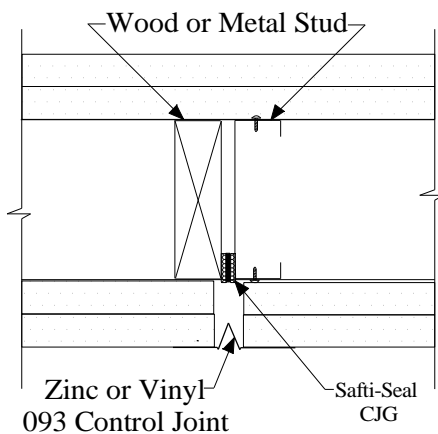
14 Reveal Trims – FSB Backer – ([VM7](#))
WFCi Ref. [#12142](#)



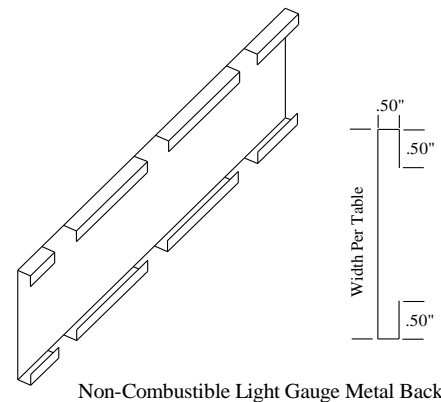
[FRG – Fire Rated Gasket](#)



[SSG – Smoke-n-Sound Gasket](#)



[CJG – Control Joint Gasket – \(PS3\)](#)



Meets Load Requirements of:
ADAAG Section 4.26 (Grab Bars, Hand Rails, and Shower Seats)
OSHPD 2013 CBC (Details ST5.00, ST5.01, and ST5.03)

[NSB – Notched Strong Back](#)



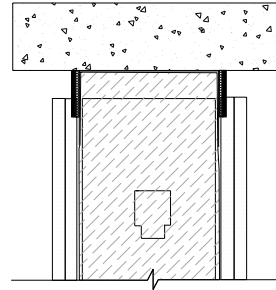
Sound Tested in Accordance
with ASTM E90-09

Safti-Seal Gasket Benefits

- Seat/Seal to Substrate "gasket" Protection
 - No Adhesive, Cohesive, or Substrate Failure
 - Level III Dynamic Cycle (seismic) Rated
 - Seal Flanking Paths Around Assembly
 - Dampened Sound & Vibration Transfer
 - Exposed Head of Wall and Deflection Gaps
 - Lifetime Seal - No Joint Material Fatigue
- Reports (ASTM E90-09) Click Report Number

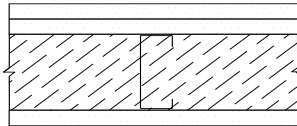
Safti-Seal Tested Wall Assemblies

- 1/2" to 3/4" Exposed Deflection Gaps
- 5/8" Type X Gypsum Sheathing
- 3 1/2" Fiberglass Insulation Cavity Fill



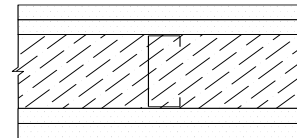
STC - 51

Single Wall Unbalanced - ([TL 17-289](#))



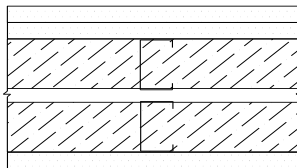
STC - 55

Single Wall Balanced - ([TL 17-288](#))



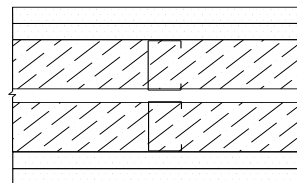
STC - 63

Chase Wall Unbalanced - ([TL 17-293](#))



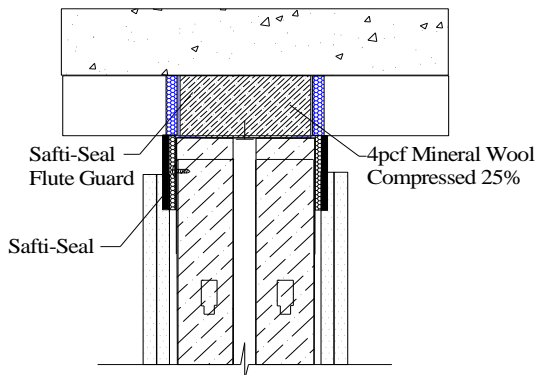
STC - 64

Chase Wall Unbalanced - ([TL 17-292](#))



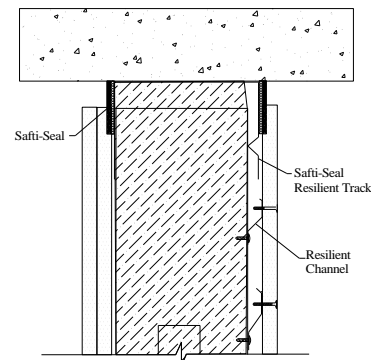
STC - 64

Flute Guard Perpendicular - ([TL 19-113](#))



STC - 54

Resilient Channel Assembly - ([TL 19-184](#))





Sound Tested in Accordance
with ASTM E90-09

LEED (Leadership in Energy and Environmental Design)

The following information is provided to assist Architects and Persons responsible for obtaining a U.S. Green Building Council (USGBC) Certification.

Safti-Seal composite steel/Safti-Seal FRG profiles are manufactured in Auburn, WA and our product profiles qualify for the following credit requirements:

LEED v3 for Building and Design Construction

- ❖ Credit MR 2.1 & 2.2 - Construction Waste Management: up to 2 points
- ❖ Credit MR 4.1/4.2 – Recycled Content Requirements

Steel used in the manufacture of our Safti-Seal steel profiles contains approximately 32.3% recycled steel consisting of 25.5% Post-Consumer and 6.8% Pre-Consumer.

- ❖ Credit MR 5.1/5.2 – Regional Materials Requirements (Applies for some projects)
- ❖ Credit EQ 4.1 – Low Emitting Materials: Adhesives & Sealants
- ❖ Credit EQ 9 – Enhanced Acoustical

LEED v4 for Building and Design Construction

- ❖ MR Prerequisite: Construction and Demolition Waste Management Planning
- ❖ MR Credit: Construction and Demolition Waste Management
- ❖ MR Credit: Building Product Disclosure and Optimization – Sourcing of Raw Materials, Option 2
- ❖ MR Credit: Building Product Disclosure and Optimization – Environmental Product Declarations, Options 1 & 2
- ❖ MR Credit: Building Product Disclosure and Optimization – Material Ingredients, Options 1
- ❖ MR Credit: Life-Cycle Impact Reduction, Option 4

Why is there no LEED Certification on the product label?

According to USGBC: “USGBC certifies buildings, not the materials that are used to construct the buildings. Only USGBC can use the LEED logo. All others violate USGBC’s registered trademark rights.”