

Double Tee Concrete Substrate

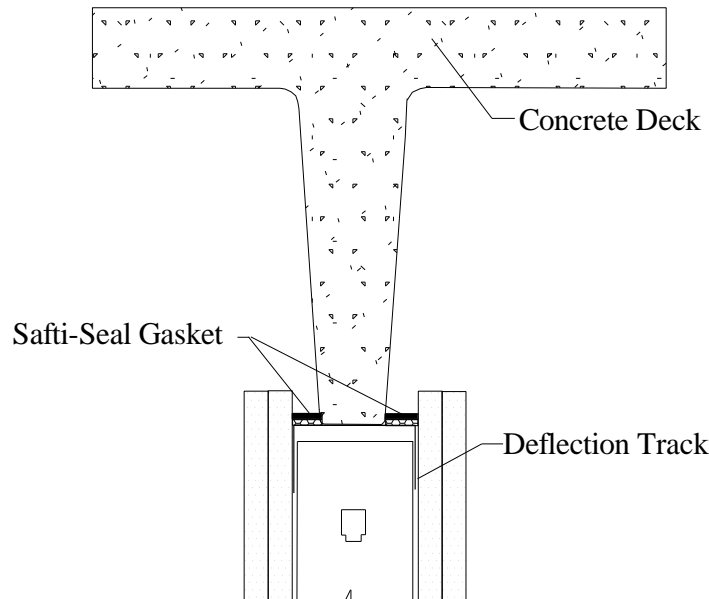


Sound Tested in Accordance
with ASTM E90-09

DT3 - Centered Under Flange Fire Rated Gasket

Fire Rated Gasket (FRG) - UL Listing: [HW-D-0896](#) – *STC 55*
Smoke-n-Sound Gasket (SSG) – WEAL Report: [TL17-288](#) – *STC 54*

| Fire Rated | Smoke-n-Sound | Strip Width | Max. Joint Protection |
|------------|---------------|-------------|-----------------------|
| FRG-75 | SSG-75 | 1.00" | .75" |
| FRG-100 | SSG-100 | 1.25" | 1.00" |
| FRG-150 | | 1.75" | 1.50" |
| FRG-200 | | 2.25" | 2.00" |



1. Installed Gap - Single Story (compression only) = **Deflection Joint Protection**
2. Installed Gap - Multi-Story (compress + extension) = **1/2 distance** of **Deflection Joint Protection**
3. Attach to substrate with approved fastener max 24" O.C or per E.O.R.
4. Do not screw drywall or stud to solid leg profile studs "free float"
5. Min. 4 pcf mineral wool compressed 33% between substrate flange and Track
6. Fire Rated (FRG) install and overlap per UL listed assembly or Safti-Seal install guide
7. Sound Gasket (SSG) install per WEAL test report

UL, ASTM & Code Standards

UL2079 (5th Edition) & CAN/ULC S115
ASTM E814, E1966, E2837
A1003, A653, A924, C645, C754, C955
Sound Tested according to ASTM E90-09
2012 & 2015 IBC

Leed Points

MR 2.1 & 2.2 - Construction Waste: up to 2pts
MR 4.1 & 4.2 - Recycled Content: up to 2 pts
MR 5.1 & 5.2 - Regional Proximity
EQ 4.1 - Low Emitting Materials
EQ 9 - Enhanced Acoustical

Phone: (425) 869-2811 Fax: (425) 869-2300
U.S. Patent 10,626,598

www.saftiseal.com