

Project Submittal – Concrete - PT/Slab



Submittal Packet - Concrete - PT/Slab

1. Plan Set Details "Typical" Conditions for Flat Concrete Substrate with links to UL/Third party Listed Assemblies and Safti-Seal Detailed FRG (Fire Rated Gasket), SSG (Smoke-n-Sound Gasket), and BSG (Butt Strip Gasket) Assemblies
2. Product Profiles and Submittal Sheets commonly used for Flat Concrete Substrate
3. Documentation:
 - Typical Detailed Assemblies
 - STC Reference Sheet
 - LEED Data Sheet

*****Click on Blue Highlighted to follow Direct Links*****

Additional Assemblies, Solutions, & Information available at www.saftiseal.com

[Fire Rated Gasket Profile - Flyer](#)

[Smoke-n-Sound Gasket Profile – Flyer](#)

[Butt Strip Gasket Profile – Flyer](#)

[Double J Shaft Wall Solutions - Flyer](#)

[Resilient Channel Assembly Solutions - Flyer](#)

[Header Assemblies - HJC Clip](#)

Backing Assemblies - [NSB](#) & [FBP](#)

[Installation, Recommendations, Repair](#)

[Chemical Compatibility with Sealants](#)

[Material Safety Data Sheets](#)

[Buy American Act Certification](#)

Assembly and Product Certifications and Leeds

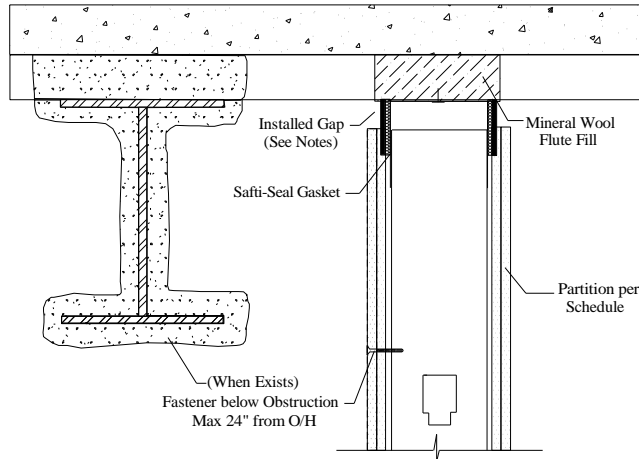
UL, ASTM & Code Standards

UL2079 (5th Edition) & CAN/ULC S115
ASTM E814, E1966, E2837
A1003, A653, A924, C645, C754, C955
Sound Tested according to ASTM E90-09
2015 & 2018 IBC

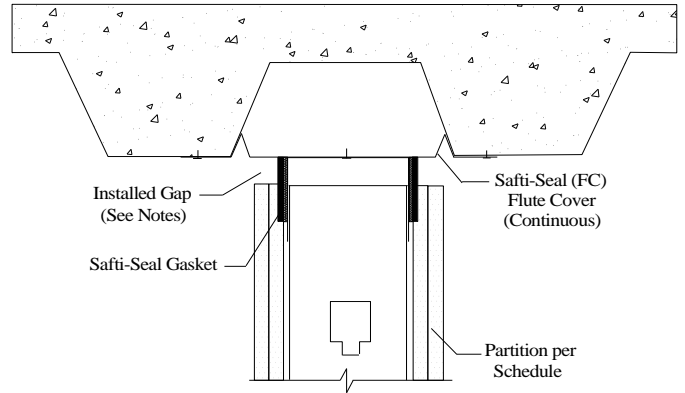
Leed Points

MR 2.1 & 2.2 - Construction Waste: up to 2pts
MR 4.1 & 4.2 - Recycled Content: up to 2 pts
MR 5.1 & 5.2 - Regional Proximity
EQ 4.1 - Low Emitting Materials
EQ 9 - Enhanced Acoustical

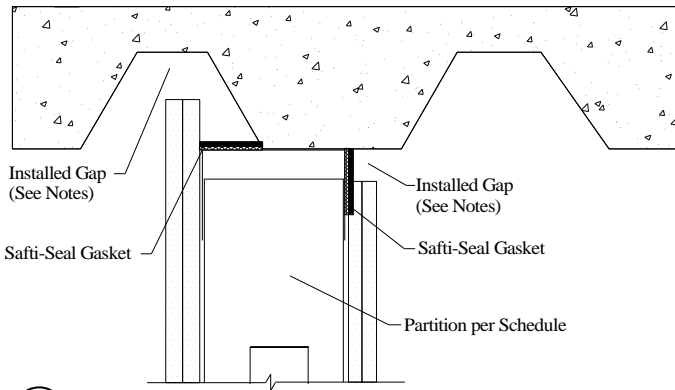
Project Submittal – Metal Deck w/Coated Beams



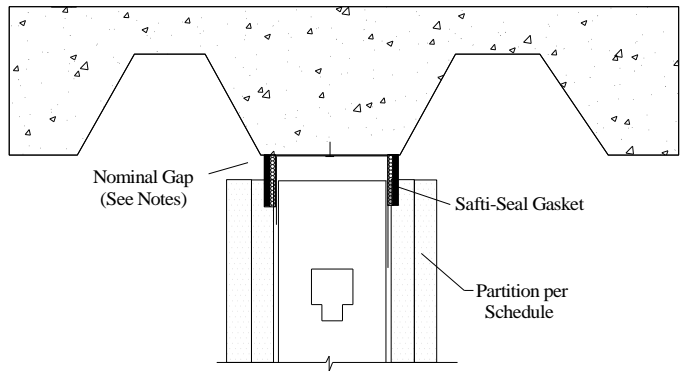
1 Perpendicular Flute & Parallel Beam – (UD1)
UL Ref. [HW-D-0900](#)



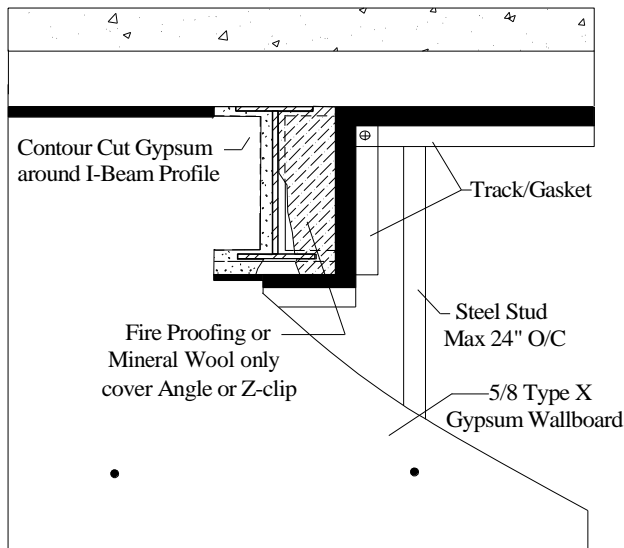
2 Centered Under Flute Cover – (UD3)
UL Ref. [HW-D-0896](#)



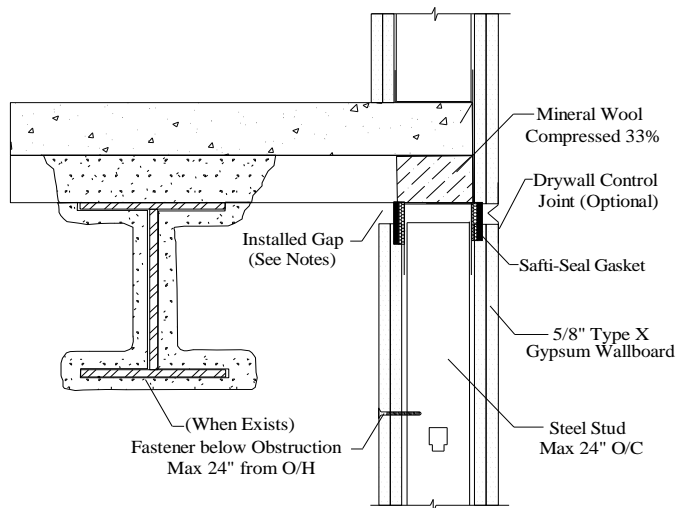
3 Cantilever Under Valley- FRG – (UD4)
UL Ref. [HW-D-0896](#)



4 Centered Under Valley – (UD9)
UL Ref. [HW-D-0896](#)

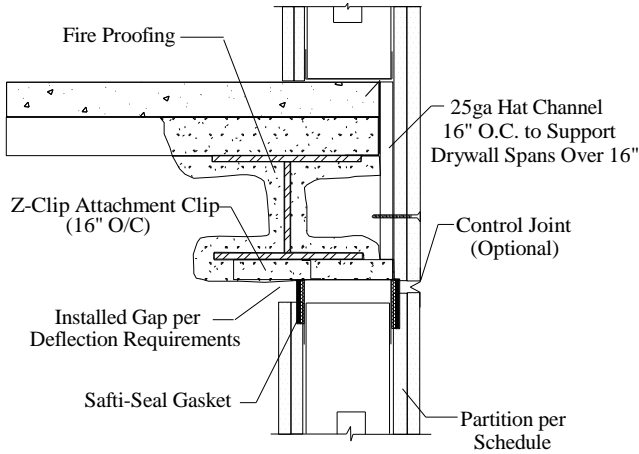


5 Beam Penetration – (SS1)
UL Ref. [HW-D-0895](#)

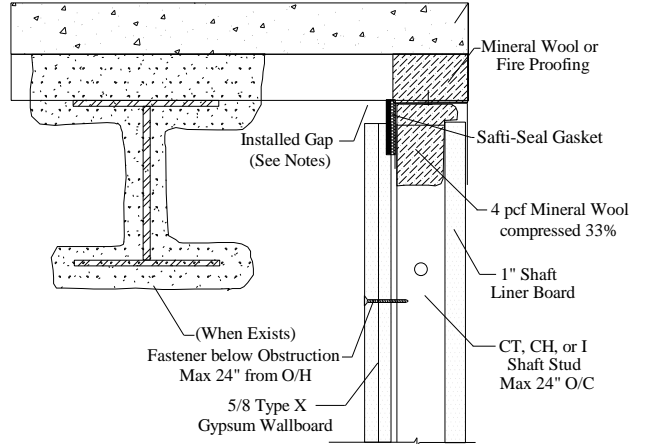


6 Stair/Shaft Parallel Beam - (SS2)
UL Ref. [HW-D-0893](#)

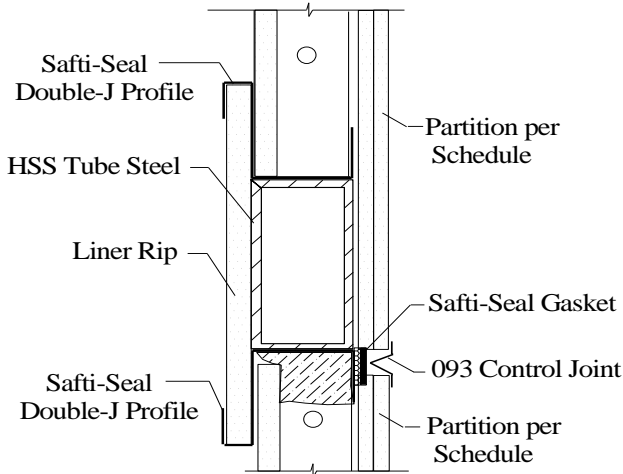
Project Submittal – Metal Deck w/Coated Beams



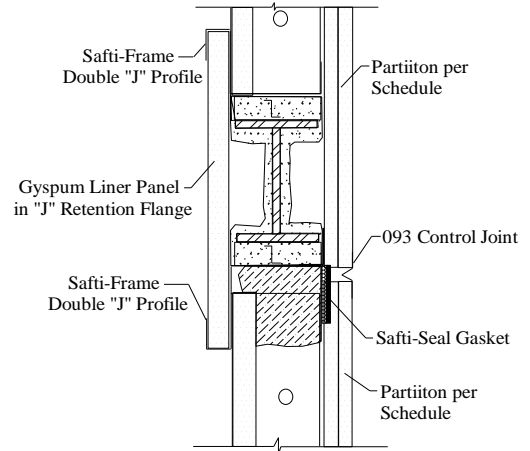
7 Stair/Shaft at Beam – Z-Clips - (SS8)
UL Ref. [HW-D-0893](#)



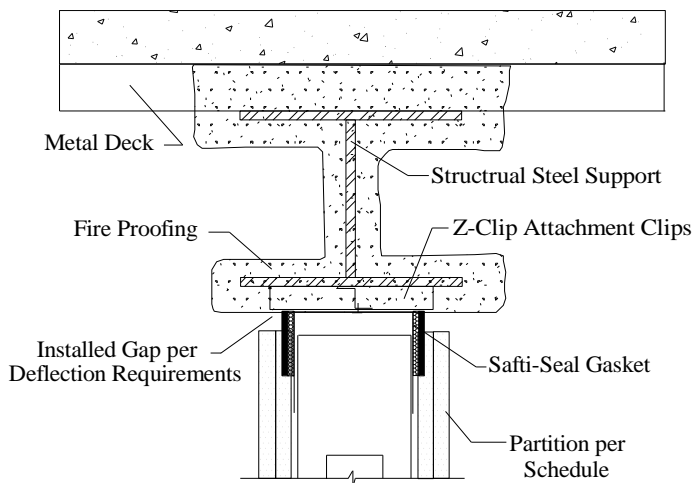
8 Shaft Wall Parallel Beam – (SS6)
UL Ref. [HW-D-0898](#)



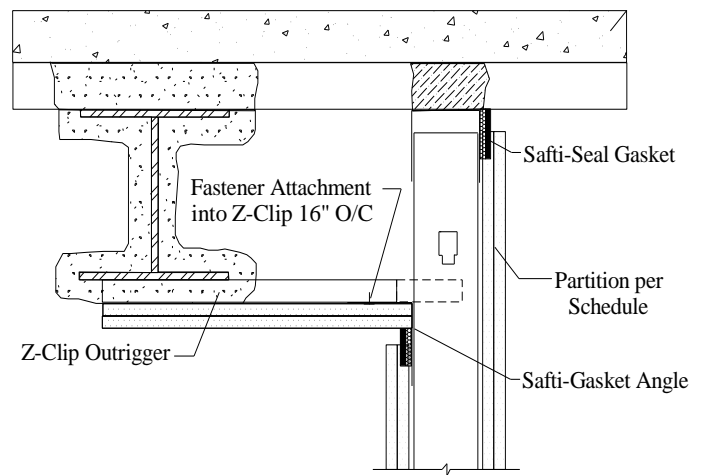
9 Shaft Wall HSS – Double J – (SS14)
UL Ref. [HW-D-0894](#)



10 Shaft Beam -Double J – (SS15)
UL Ref. [HW-D-0894](#)

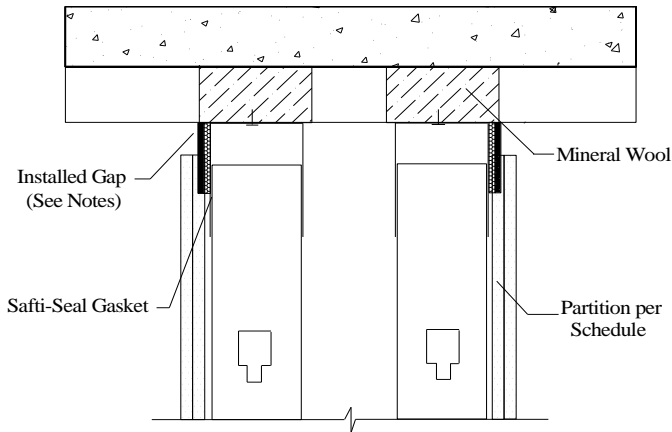


11 Parallel Under Beam - Z-Clips – (SS7)
UL Ref. [HW-D-0897](#)

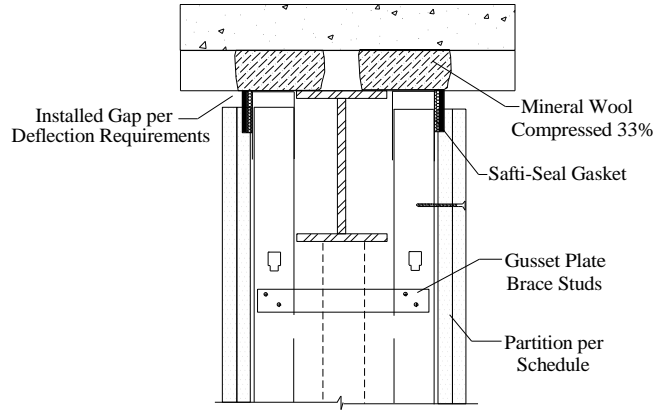


12 Beam >24" - Z-Clips/Rips – (SS10)
UL Ref. [HW-D-0903](#)

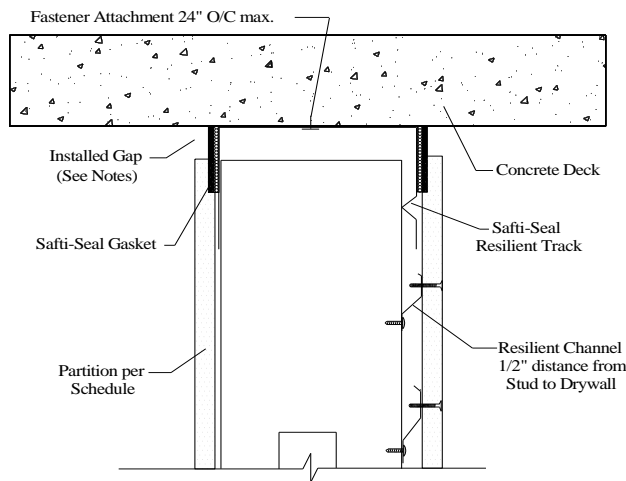
Project Submittal – Metal Deck w/Coated Beams



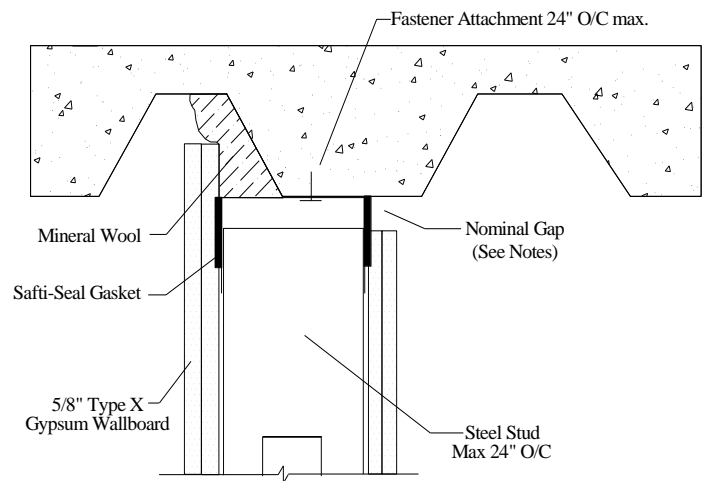
13 Chase Wall – Perpendicular – (UD2)
UL Ref. [HW-D-0899](#)



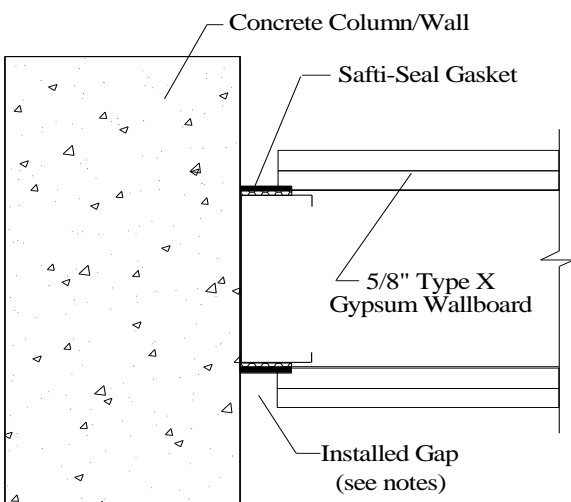
14 Chase Wall - Diagonal Bracing – (SS13)
UL Ref. [HW-D-0899](#)



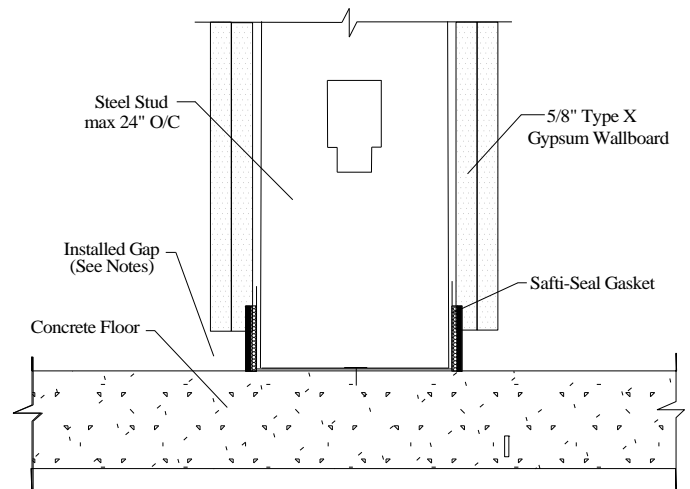
15 Resilient Channel Assembly - (PT9)
UL Ref. [HW-D-0890](#)



16 Cantilever – Mineral Wool – (UD7)
UL Ref. [HW-D-0896](#)

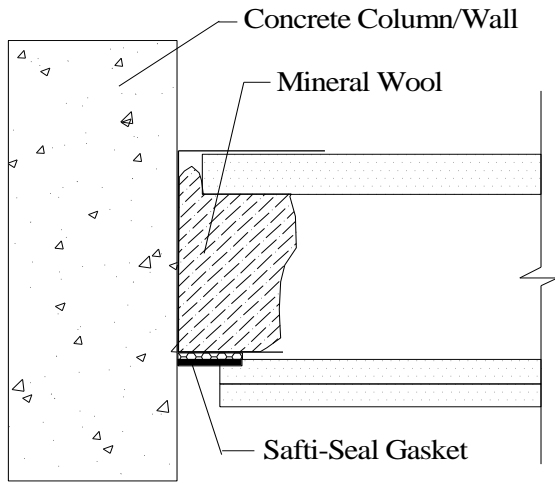


17 Vertical Single Wall to Wall – (PT11)
UL Ref. [WW-S-0089](#)

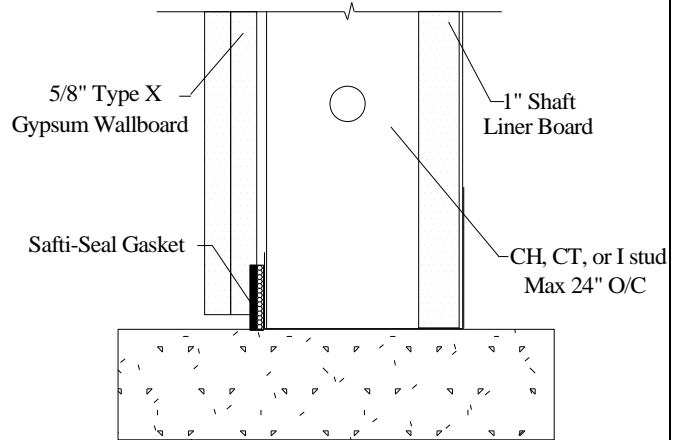


18 Single Bottom of Wall – (PT6)
UL Ref. [BW-S-0055](#)

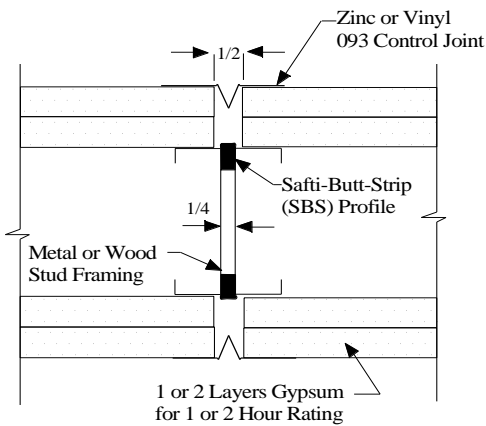
Project Submittal – Metal Deck w/Coated Beams



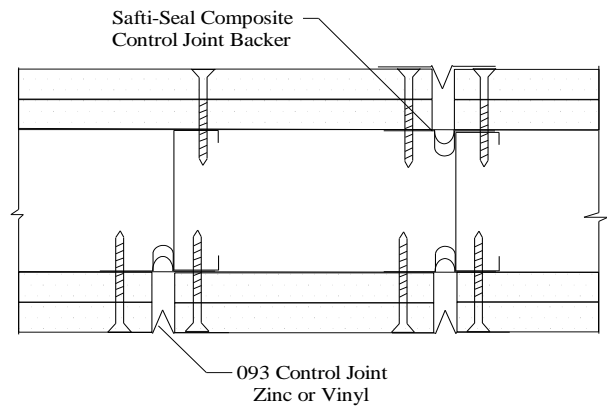
19 Vertical Shaft Wall to Wall – (PT11)
UL Ref. [WW-S-0088](#)



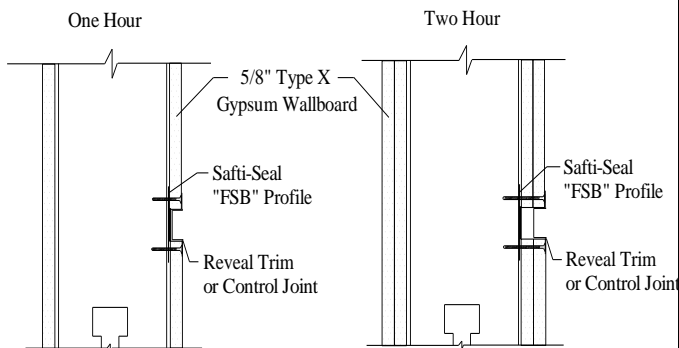
20 Shaft Bottom of Wall – (VM12)
UL Ref. [BW-S-0054](#)



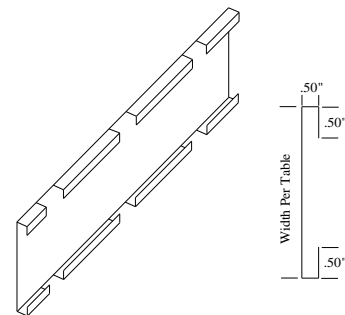
21 Control Joint – Butt Strip – (VM8)
UL Ref. [WW-D-0257](#)



22 Control Joint CJB Backer – (VM9)
WFCi Ref. [Report #12033](#)



23 Reveal Trims – FSB Backer – (VM7)
WFCi Ref. [Report #12142](#)

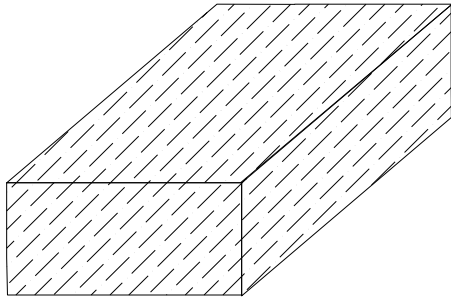


Non-Combustible Light Gauge Metal Backing

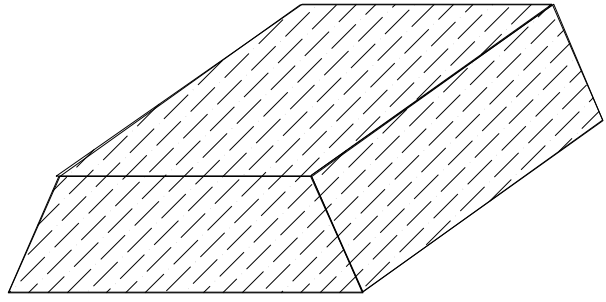
Meets Requirements of:
ADAAG Section 4.26 (Grab Bars, Hand Rails, and Shower Seats)
OSHPD 2013 CBC (Details ST5.00, ST5.01, and ST5.03)

24 Notched Strong Back Backing – (PS29)
See [Load Tables](#) for Horiz. & Vert. Capacity

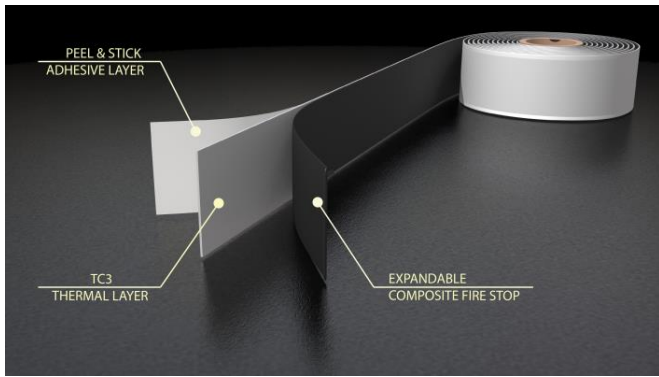
Project Submittal – Metal Deck w/Coated Beams



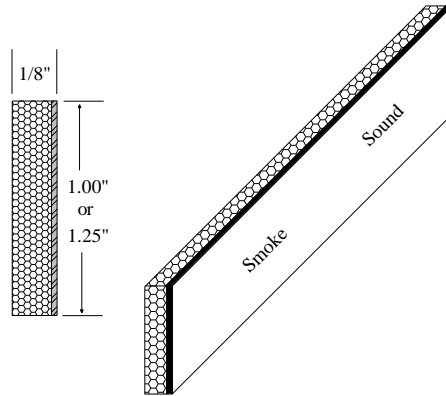
Shaft Wall Cavity Plug - (PS23)



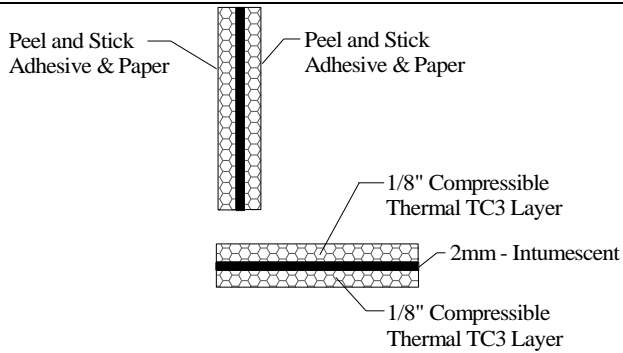
Oversized Deck Plug - (PS22)



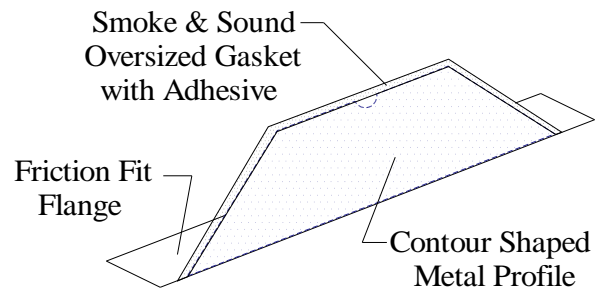
FRG – Fire Rated Gasket - (PS1)



SSG – Smoke and Sound Gasket – (PS2)



BSG – Butt Strip Gasket – (PS3)



FG – Flute Guard – (PS18)

Project Submittal – Metal Deck w/Coated Beams

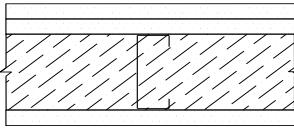
Safti-Seal Gasket Benefits

Seat/Seal to Substrate "gasket" Protection
No Adhesive, Cohesive, or Substrate Failure
Level III Dynamic Cycle (seismic) Rated
Seal Flanking Paths Around Assembly
Dampened Sound & Vibration Transfer
Exposed Head of Wall and Deflection Gaps
Lifetime Seal - No Joint Material Fatigue

Reports (ASTM E90-09) Click Report Number

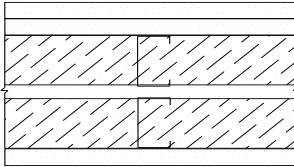
STC - 51

Single Wall Unbalanced - ([TL 17-289](#))



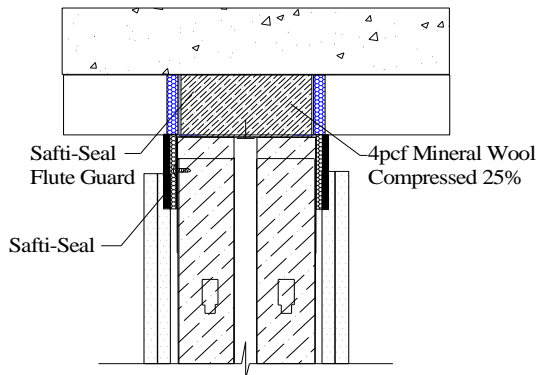
STC - 63

Chase Wall Unbalanced - ([TL 17-293](#))



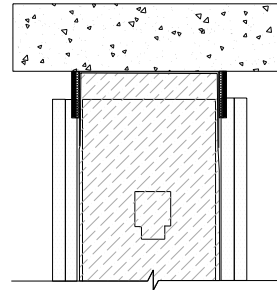
STC - 64

Flute Guard Perpendicular - ([TL 19-113](#))



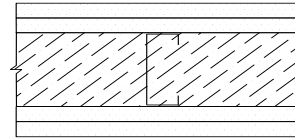
Safti-Seal Tested Wall Assemblies

1/2" to 3/4" Exposed Deflection Gaps
5/8" Type X Gypsum Sheathing
3 1/2" Fiberglass Insulation Cavity Fill



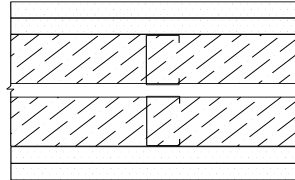
STC - 55

Single Wall Balanced - ([TL 17-288](#))



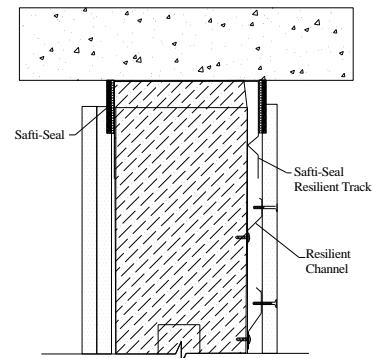
STC - 64

Chase Wall Unbalanced - ([TL 17-292](#))



STC - 54

Resilient Channel Assembly - ([TL 19-184](#))



Project Submittal – Metal Deck w/Coated Beams



LEED (Leadership in Energy and Environmental Design)

The following information is provided to assist Architects and Persons responsible for obtaining a U.S. Green Building Council (USGBC) Certification.

Safti-Seal composite steel/intumescent profiles are manufactured in Auburn, WA and consist of a ratio of steel to intumescent (by weight) of approximately 90% and 10% respectively. Our product profiles qualify for the following credit requirements:

Steel:

Credit MR 2.1 & 2.2 - Construction Waste Management: up to 2 points

Credit MR 4.1/4.2 – Recycled Content Requirements

Steel used in the manufacture of our steel profiles contains approximately 32.3% recycled steel consisting of 25.5% Post-Consumer and 6.8% Pre-Consumer.

Credit MR 5.1/5.2 – Regional Materials Requirements (Applies for some projects)

Steel used in the manufacture of our steel profiles is purchased from sources within 500 miles of our manufacturing facility (Auburn, WA). Steel may contain local materials and recycled content, not all of the steel content generally comes from local sources.

Intumescent:

Credit EQ 4.1 – Low Emitting Materials: Adhesives & Sealants

Cured intumescent and adhesives used in the manufacture of our profiles contain less than 10 g/l volatile organic compounds (VOC) and comply with limits established by the South Coast Air Quality Management District (SCAMQD) Rule #1168, and the Bay Area Air Quality Management District Regulation 8, Rule 51.

Credit EQ 9 – Enhanced Acoustical

Why is there no LEED Certification on the product label?

According to USGBC: “USGBC certifies buildings, not the materials that are used to construct the buildings. Only USGBC can use the LEED logo. All others violate USGBC’s registered trademark rights.”