

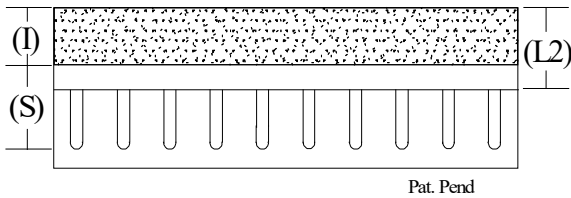
# Product Profile Dimensions



Sound Tested in Accordance  
with ASTM E90-09

## PS14 – “RCS” (Slotted Leg Profile) to Accommodate Resilient Channel

Composite Gasket/Framing for use in up to 2 hr rated wall assemblies. Provides 100% unencumbered joint protection up to 1.00” overall movement with level III (seismic) certification. Minimum G40 (20ga) coating one leg with 1 ½” slots spaced 1” O/C and second leg with ½” rib accommodate resilient channel.



Pat. Pend

Widths (W)

- 418 (4 1/8")
- 450 (4 1/2")
- 650 (6 1/2")
- 850 (8 1/2")

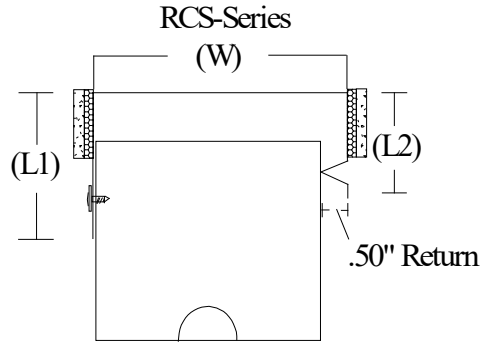
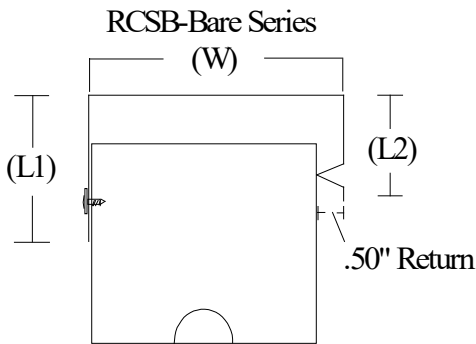
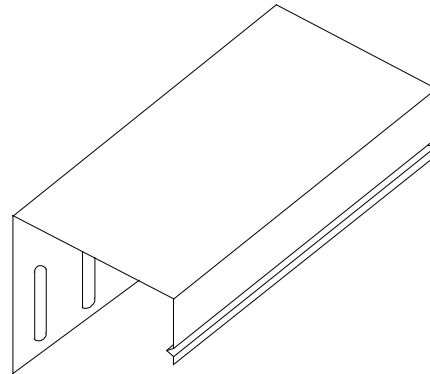
Part Identification

Example: 650-RCSB-30

650 RCSB - 30

Track Width Profile Gauge

Gauge  
.030 (20)



Profile	Slotted Leg Length (L1)	Solid Leg Length (L2)	Strip Width (I)	Slot Height (S)	Joint Protection
RCS	2.50"	2.50"	1.00"	1.50"	.75"
RCSW	3.00"	2.50"	1.25"	1.50"	1.00"
RCSB	3.00"	2.50"	SnS or Caulk	1.50"	.50"

**UL, ASTM & Code Standards**

UL2079 (5<sup>th</sup> Edition) & CAN/ULC S115  
ASTM E814, E1966, E2837  
A1003, A653, A924, C645, C754, C955  
Sound Tested according to ASTM E90-09  
2015 & 2018 IBC

**Lead Points**

MR 2.1 & 2.2 - Construction Waste: up to 2pts  
MR 4.1 & 4.2 - Recycled Content: up to 2 pts  
MR 5.1 & 5.2 - Regional Proximity  
EQ 4.1 - Low Emitting Materials  
EQ 9 - Enhanced Acoustical

Phone: (425) 869-2811 Fax: (425) 869-2300  
U.S. Patent #10,626,598