

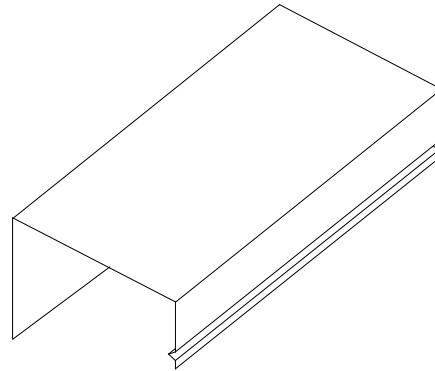
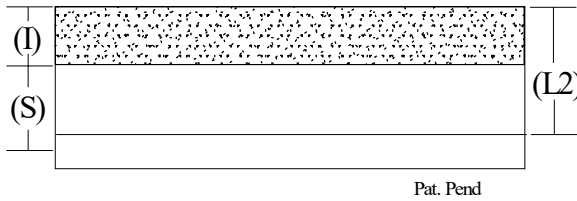
Product Profile Dimensions



Sound Tested in Accordance
with ASTM E90-09

PS15 – “RCD” (Deep Leg Track Profile) to Accommodate Resilient Channel

Composite Gasket/Framing for use in up to 2 hr rated wall assemblies. Minimum G40(20ga) coating with one 2.50” leg and second 2.00” leg with ½” rib to accommodate resilient channel.



Widths (W)

- 418 (4 1/8")
- 450 (4 1/2")
- 650 (6 1/2")
- 850 (8 1/2")

Part Identification

Example: 650-RCSB-30

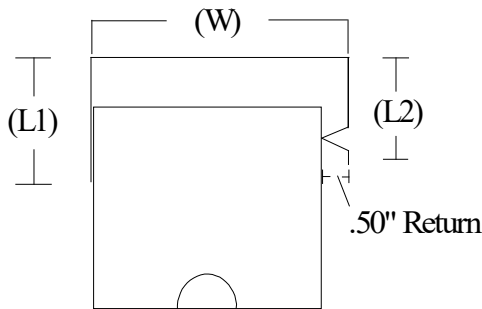
650 RCSB - 30

Track Width Profile Gauge

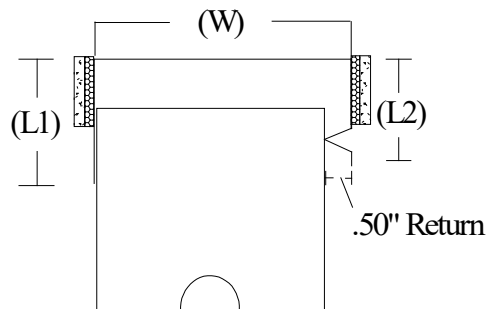
Gauge

.030 (20)

RCSB-Bare Series



RCS-Series



Profile	Solid Leg Length	Ribbed Leg Length	Strip Width	Joint
	(L1)	(L2)	(I)	Protection
RCD	2.50"	2.00"	1.00"	.75"
RCDW	2.50"	2.00"	1.25"	1.00"
RCDB	2.50"	2.00"	SnS or Caulk	.50"

UL, ASTM & Code Standards

UL2079 (5th Edition) & CAN/ULC S115
 ASTM E814, E1966, E2837
 A1003, A653, A924, C645, C754, C955
 Sound Tested according to ASTM E90-09
 2015 & 2018 IBC

Lead Points

MR 2.1 & 2.2 - Construction Waste: up to 2pts
 MR 4.1 & 4.2 - Recycled Content: up to 2 pts
 MR 5.1 & 5.2 - Regional Proximity
 EQ 4.1 - Low Emitting Materials
 EQ 9 - Enhanced Acoustical

Phone: (425) 869-2811 Fax: (425) 869-2300
 U.S. Patent # 10,626,598