

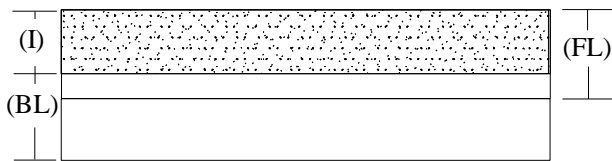
Product Profile Dimensions



Sound Tested in Accordance
with ASTM E90-09

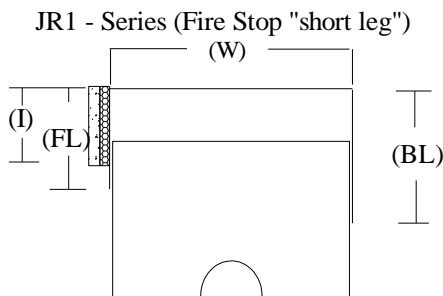
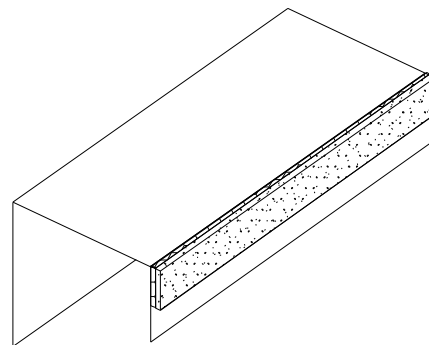
PS20 – “JR” profiles with one short (front) and one long (back) leg

Composite Gasket/Framing for use in up to 2 hr rated shaft wall assemblies. Provides 100% unencumbered joint protection accommodating up to 1 1/2" overall movement with level III (seismic) certification. Minimum G40 (20ga) and G60 (18ga and heavier) coating with one leg (front) having intumescent per listed assemblies in UL Fire Resistance Directory.



Pat. Pend

Widths (W)	Gauge	Part Identification
250 (2 1/2")	.030 (20)	Example: 400-JR-1-30
400 (4")	.033 (20)	
600 (6")	.043 (18)	<u>400</u> <u>JR1</u> - <u>30</u>
	.054 (16)	
		Track Width Profile Gauge



Profile	Front Leg (FL)	Back Leg (BL)	Strip Width (I)	Joint Protection
JR1	2.00"	3.00"	1.00"	.75"
JRW1	2.00"	3.00"	1.25"	1.00"
JRX1	2.00"	3.00"	1.75"	1.50"

UL, ASTM & Code Standards

UL2079 (5th Edition) & CAN/ULC S115
ASTM E814, E1966, E2837
A1003, A653, A924, C645, C754, C955
Sound Tested according to ASTM E90-09
2015 & 2018 IBC

Lead Points

MR 2.1 & 2.2 - Construction Waste: up to 2pts
MR 4.1 & 4.2 - Recycled Content: up to 2 pts
MR 5.1 & 5.2 - Regional Proximity
EQ 4.1 - Low Emitting Materials
EQ 9 - Enhanced Acoustical

Phone: (425) 869-2811 Fax: (425) 869-2300
U.S. Patent #10,626,598