

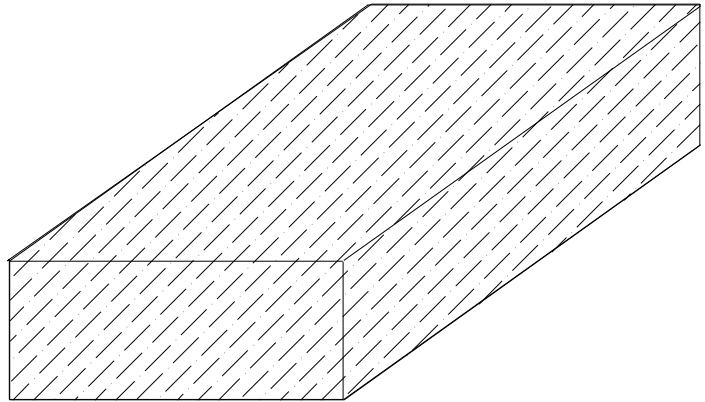
Product Profile Dimensions



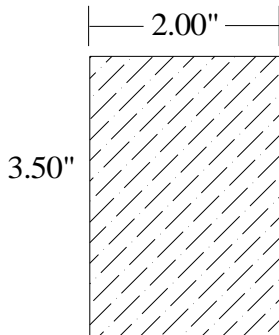
PS23 - Shaft Wall Cavity Plugs – Preformed Mineral Wool

Mineral Wool preformed to wall cavity widths for protection of joints with a 4.0 lbs/ft³ density. Profiles are used to fill and protect joints occurring inside shaft wall cavities.

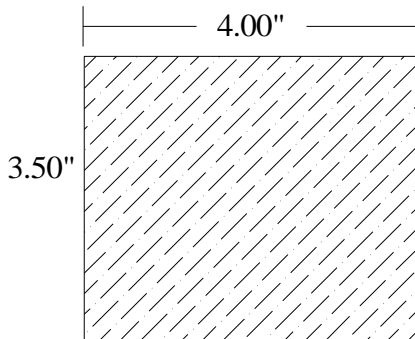
Stock Lengths: 24"



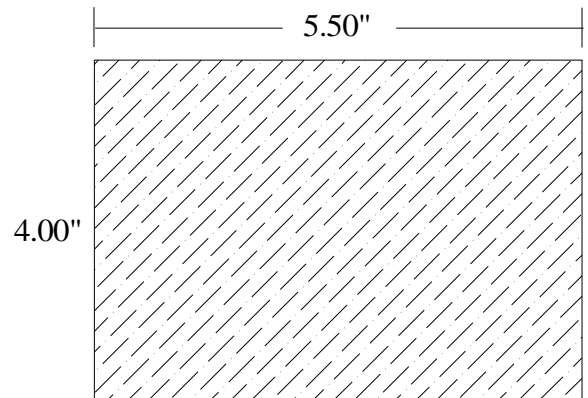
SWCP-250



SWCP-400



SWCP-600



Phone: (425) 869-2811 Fax: (425) 869-2300