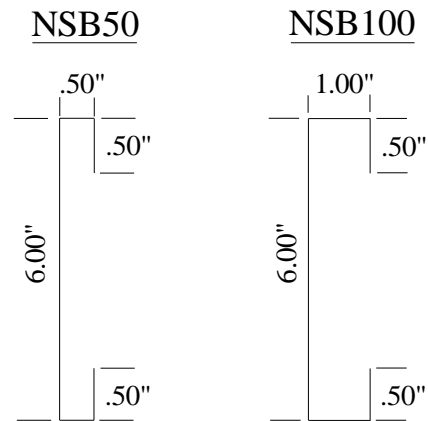
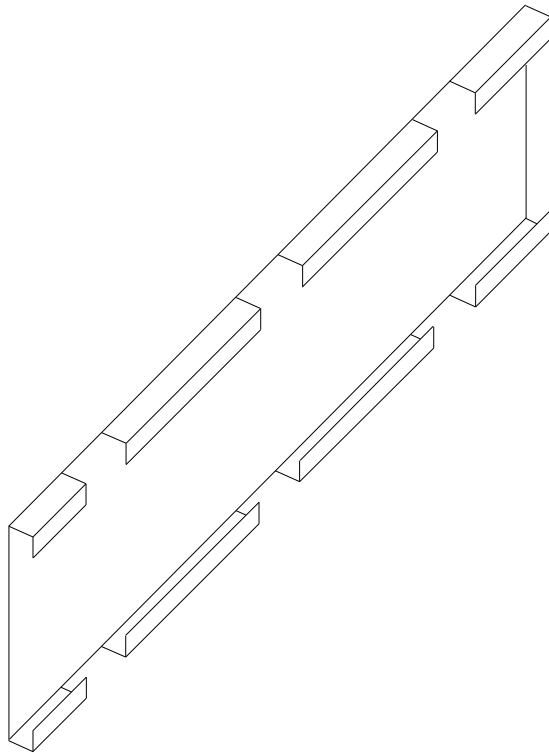


Product Profile Dimensions



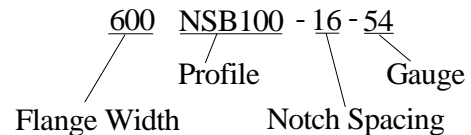
PS29 - "Notched Strong Back" (NSB) Backing Profiles

Notched Framing Profiles for use as backing support of vertical and horizontal loads. Low Profile lip design with shallow return lip provides increased strength and accommodates stud layout and cavity obstructions. Minimum G40 coating and cold-formed steel matching relevant ASTM requirements.



Part Identification

Example: 600NSB100-16-54



- Notches Stock 16" O.C. - (Custom Spacing and Lengths Available)
- Stock 20ga (33mil) to 16ga (54mil) design thickness
- Other Web Size and Gauges available

ASTM & Code Standards

ADAAG Section 4.26
OSHDPD 2013 CBC (ST5.00 and ST5.03)
A1003, A653, A924, C645, C754, C955
2015 & 2018 IBC

Leed Points

MR 2.1 & 2.2 - Construction Waste: up to 2pts
MR 4.1 & 4.2 - Recycled Content: up to 2 pts
MR 5.1 & 5.2 - Regional Proximity

Phone: (425) 869-2811 Fax: (425) 869-2300

www.saftiseal.com