

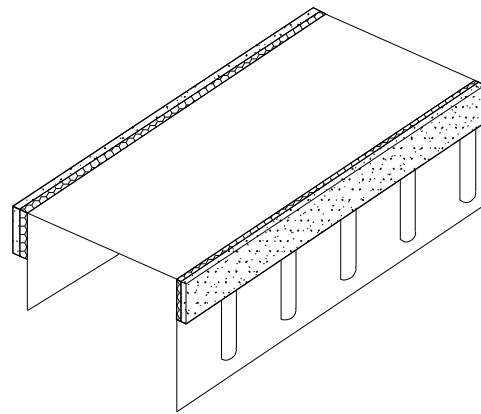
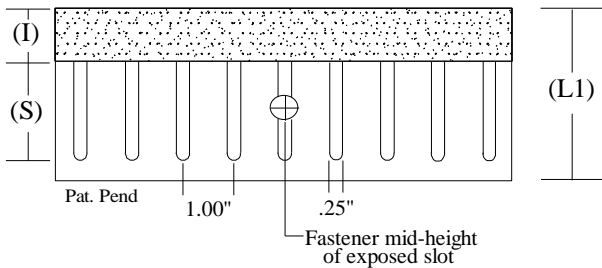
# Product Profile Dimensions



Sound Tested in Accordance  
with ASTM E90-09

## PS5 – “SL” (Slotted One Side) Profiles One slotted and One solid leg

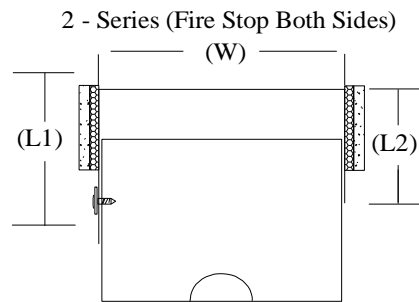
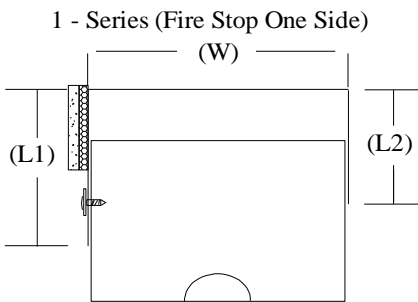
Composite Gasket/Framing for use in up to 2 hr rated wall assemblies. Provides 100% unencumbered joint protection accommodates up to 1 1/2” overall movement with level III (seismic) certification. Minimum G40 (20ga) and G60 (18ga and heavier) coating having one leg with slots 1” O/C for attachment of studs per listed assemblies in UL Fire Resistance Directory.



Widths (W)	Mil (Ga)
250 (2 1/2")	.030 (20)
362 (3 5/8")	.033 (20)
400 (4")	.043 (18)
600 (6")	.054 (16)
800 (8")	.068 (14)

Part Identification  
Example: 250-SL-1-30

250 SL 1 - 30  
Track Width Profile Series Gauge



Profile	Slotted Leg Length (L1)	Solid Leg Length (L2)	Strip Width (I)	Slot Height (S)	Joint Protection
SL	2.50"	2.00"	1.00"	1.50"	.75"
SLW	3.00"	2.00"	1.25"	1.50"	1.00"
SLX	4.00"	2.50"	1.75"	2.00"	1.50"

### UL, ASTM & Code Standards

UL2079 (5<sup>th</sup> Edition) & CAN/ULC S115  
ASTM E814, E1966, E2837  
A1003, A653, A924, C645, C754, C955  
Sound Tested according to ASTM E90-09  
2015 & 2018 IBC

### Lead Points

MR 2.1 & 2.2 - Construction Waste: up to 2pts  
MR 4.1 & 4.2 - Recycled Content: up to 2 pts  
MR 5.1 & 5.2 - Regional Proximity  
EQ 4.1 - Low Emitting Materials  
EQ 9 - Enhanced Acoustical

Phone: (425) 869-2811 Fax: (425) 869-2300  
U.S. Patent #10,626,598