

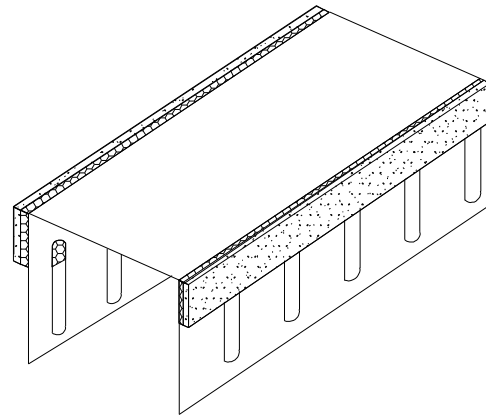
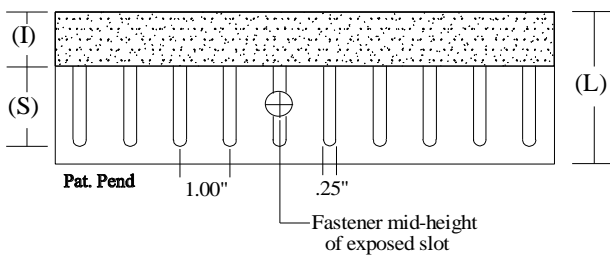
# Product Profile Dimensions



Sound Tested in Accordance  
with ASTM E90-09

## PS6 - "DSL" (Slotted Both Sides) Profiles with two slotted legs

Composite Gasket/Framing for use in up to 2 hr rated wall assemblies. Provides 100% unencumbered joint protection accommodates up to 1 1/2" overall movement with level III (seismic) certification. Minimum G40 (25ga) and G60 (18ga and heavier) coating two legs with slots spaced 1" O/C for attachment of studs per listed assemblies in UL Fire Resistance Directory.

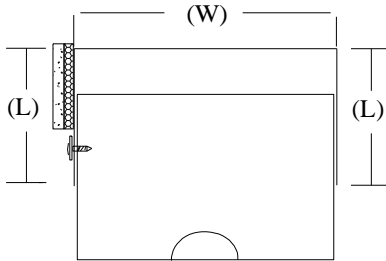


| Widths (W)   | Mil (Ga)  |
|--------------|-----------|
| 250 (2 1/2") | .030 (20) |
| 362 (3 5/8") | .033 (20) |
| 400 (4")     | .043 (18) |
| 600 (6")     | .054 (16) |
| 800 (8")     | .068 (14) |

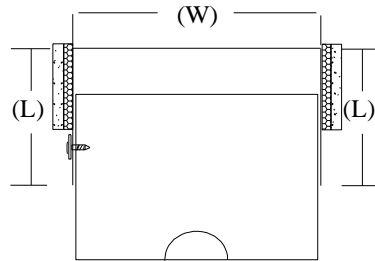
Part Identification  
Example: 362DSL2-30

|             |         |        |   |       |
|-------------|---------|--------|---|-------|
| 362         | DSL     | 2      | - | 30    |
| Track Width | Profile | Series |   | Gauge |

1 - Series (Fire Stop One Side)



2 - Series (Fire Stop Both Sides)



| Profile | Leg Length | Strip Width | Slot Height | Joint Protection |
|---------|------------|-------------|-------------|------------------|
|         | (L)        | (I)         | (S)         |                  |
| DSL     | 2.50"      | 1.00"       | 1.50"       | .75"             |
| DSLW    | 3.00"      | 1.25"       | 1.50"       | 1.00"            |
| DSLX    | 4.00"      | 1.75"       | 2.00"       | 1.50"            |

### UL, ASTM & Code Standards

UL2079 (5<sup>th</sup> Edition) & CAN/ULC S115  
ASTM E814, E1966, E2837  
A1003, A653, A924, C645, C754, C955  
Sound Tested according to ASTM E90-09  
2015 & 2018 IBC

### Lead Points

MR 2.1 & 2.2 - Construction Waste: up to 2pts  
MR 4.1 & 4.2 - Recycled Content: up to 2 pts  
MR 5.1 & 5.2 - Regional Proximity  
EQ 4.1 - Low Emitting Materials  
EQ 9 - Enhanced Acoustical

Phone: (425) 869-2811 Fax: (425) 869-2300  
U.S. Patent #10,626,598