

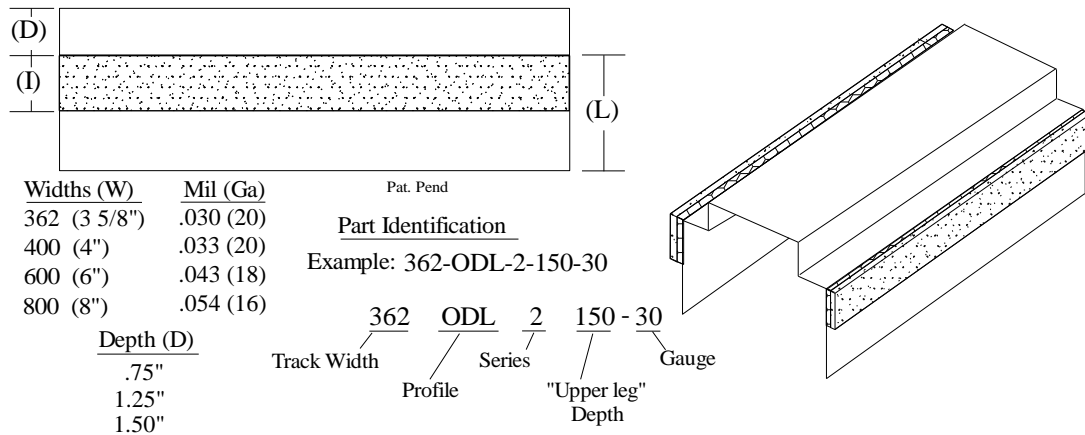
Product Profile Dimensions



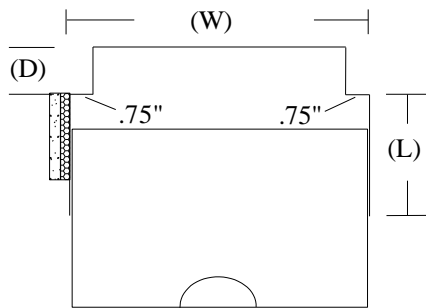
Sound Tested in Accordance
with ASTM E90-09

PS7 – “ODL” (Offset Deep Leg) Profiles with two offset solid legs

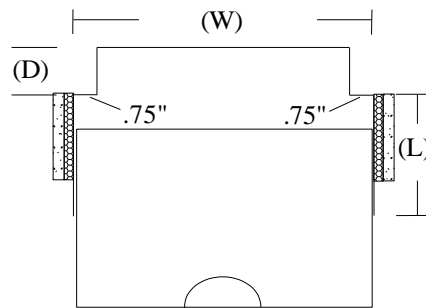
Composite Gasket/Framing “offset step” accommodates fireproofing in head of wall and wall to wall (column) assemblies. Provides 100% unencumbered joint protection accommodates up to 2” overall movement with level III (seismic) certification. Minimum G40 (20ga) and G60 (18ga and heavier) coating with two solid legs per UL listed assemblies.



1 - Series "Deep Leg" (Fire Stop One Side)



2 - Series "Deep Leg" (Fire Stop Both Sides)



Profile	Lower Leg Length (L)	Strip Width (I)	Slot Height (S)	Joint Protection
ODL	2.00"	1.00"	N/A	.75"
ODLW	2.00"	1.25"	N/A	1.00"
ODLX	2.50"	1.75"	N/A	1.50"
ODLZ	3.00"	2.25"	N/A	2.00"

UL, ASTM & Code Standards

UL2079 (5th Edition) & CAN/ULC S115
 ASTM E814, E1966, E2837
 A1003, A653, A924, C645, C754, C955
 Sound Tested according to ASTM E90-09
 2015 & 2018 IBC

Lead Points

MR 2.1 & 2.2 - Construction Waste: up to 2pts
 MR 4.1 & 4.2 - Recycled Content: up to 2 pts
 MR 5.1 & 5.2 - Regional Proximity
 EQ 4.1 - Low Emitting Materials
 EQ 9 - Enhanced Acoustical

Phone: (425) 869-2811 Fax: (425) 869-2300
 U.S. Patent #10,626,598