

# Project Submittal – Concrete - PT/Slab



## Submittal Packet - Concrete - PT/Slab

1. Plan Set Details "Typical" Conditions for Flat Concrete Substrate with links to UL/Third party Listed Assemblies and Safti-Seal Detailed FRG (Fire Rated Gasket), SSG (Smoke-n-Sound Gasket), and BSG (Butt Strip Gasket) Assemblies
2. Product Profiles and Submittal Sheets commonly used for Flat Concrete Substrate
3. Documentation:
  - Typical Detailed Assemblies
  - STC Reference Sheet
  - LEED Data Sheet

**\*\*\*Click on Blue Highlighted to follow Direct Links\*\*\***

Additional Assemblies, Solutions, & Information available at [www.saftiseal.com](http://www.saftiseal.com)

[Fire Rated Gasket Profile - Flyer](#)

[Smoke-n-Sound Gasket Profile – Flyer](#)

[Butt Strip Gasket Profile – Flyer](#)

[Double J Shaft Wall Solutions - Flyer](#)

[Resilient Channel Assembly Solutions - Flyer](#)

[Header Assemblies - HJC Clip](#)

Backing Assemblies - [NSB](#) & [FBP](#)

[Installation, Recommendations, Repair](#)

[Chemical Compatibility with Sealants](#)

[Material Safety Data Sheets](#)

[Buy American Act Certification](#)

## Assembly and Product Certifications and Leeds

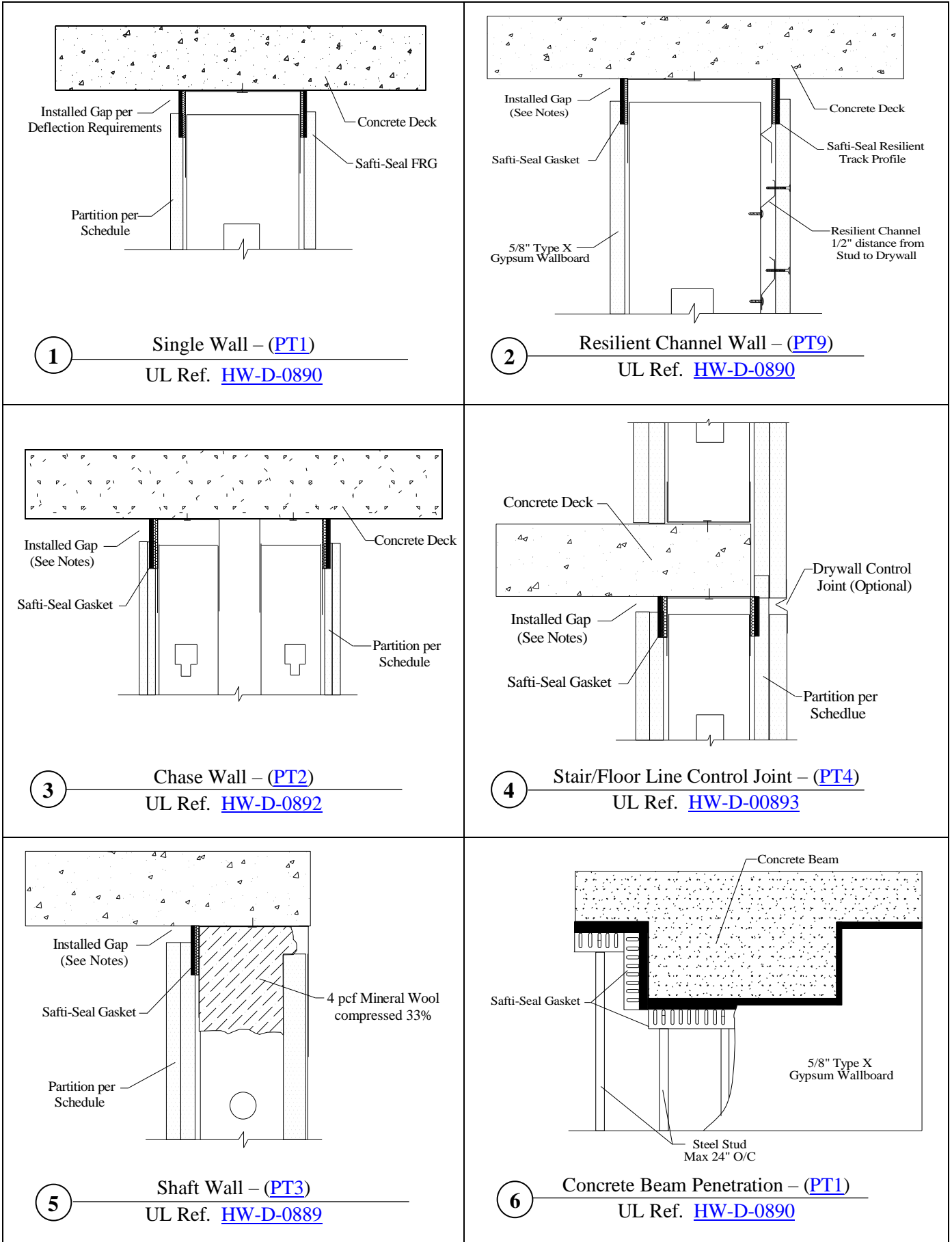
### UL, ASTM & Code Standards

UL2079 (5<sup>th</sup> Edition) & CAN/ULC S115  
ASTM E814, E1966, E2837  
A1003, A653, A924, C645, C754, C955  
Sound Tested according to ASTM E90-09  
2015 & 2018 IBC

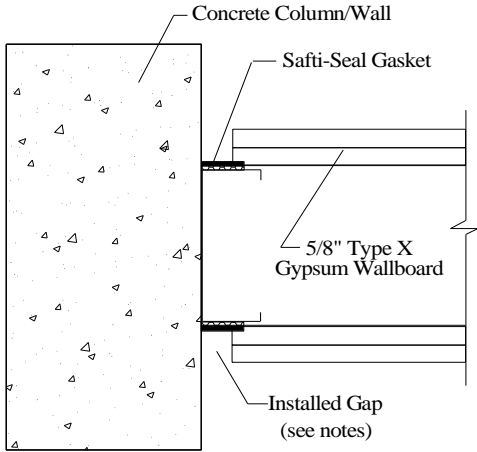
### Leed Points

MR 2.1 & 2.2 - Construction Waste: up to 2pts  
MR 4.1 & 4.2 - Recycled Content: up to 2 pts  
MR 5.1 & 5.2 - Regional Proximity  
EQ 4.1 - Low Emitting Materials  
EQ 9 - Enhanced Acoustical

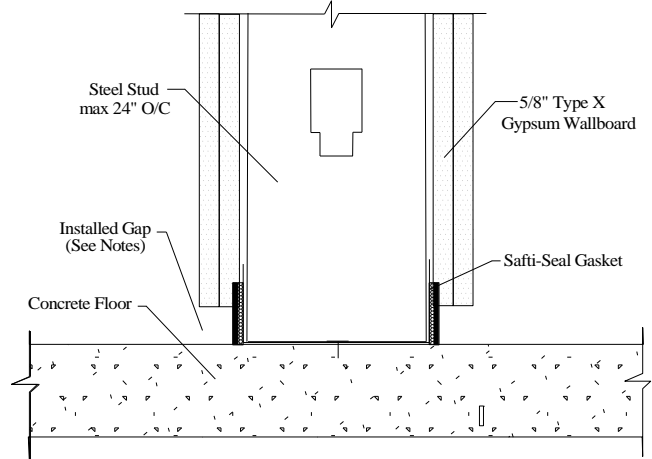
# Project Submittal – Concrete - PT/Slab



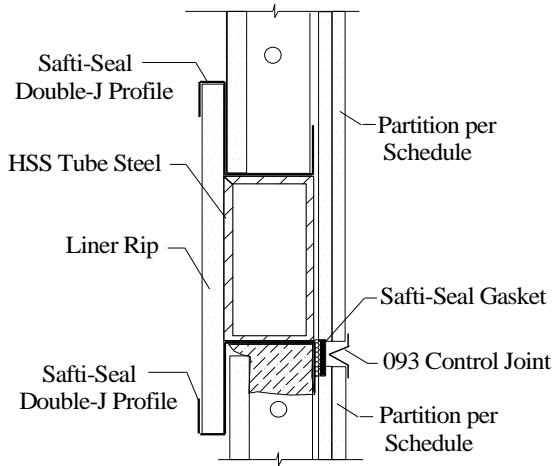
# Project Submittal – Concrete - PT/Slab



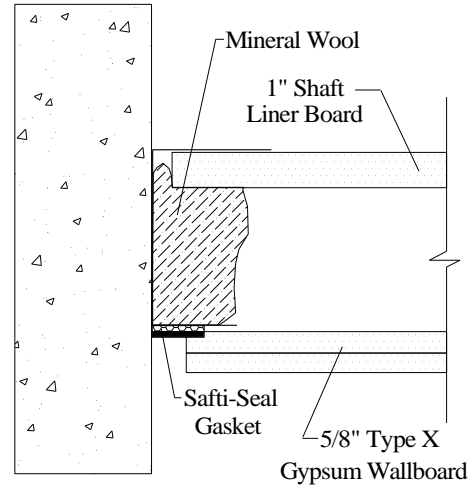
**7** Vertical Wall to Wall – (PT11)  
UL Ref. [WW-S-0089](#)



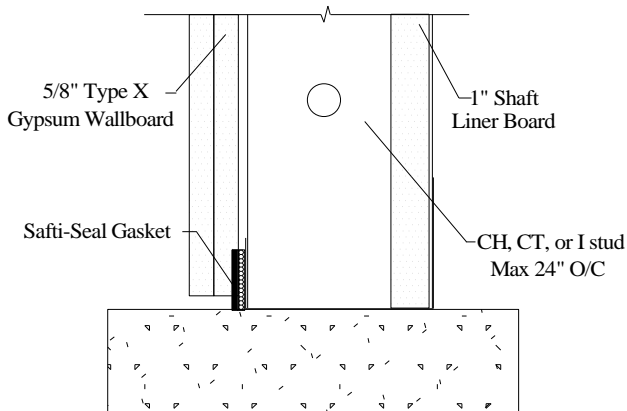
**8** Bottom of Wall – (PT6)  
UL Ref. [BW-S-0055](#)



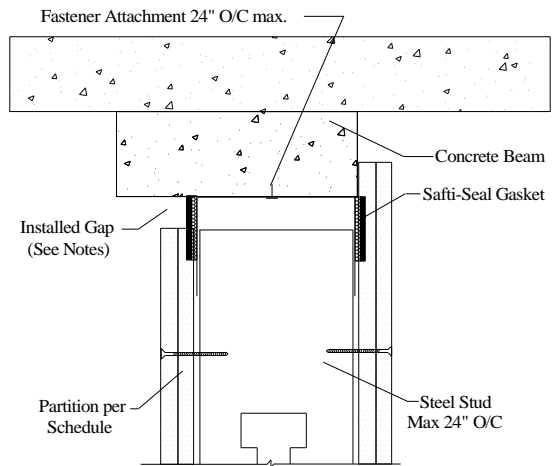
**9** Shaft HSS – Double J – (VM14)  
UL Ref. [HW-D-0894](#)



**10** Vertical Shaft Wall – (PT12)  
UL Ref. [WW-S-0088](#)

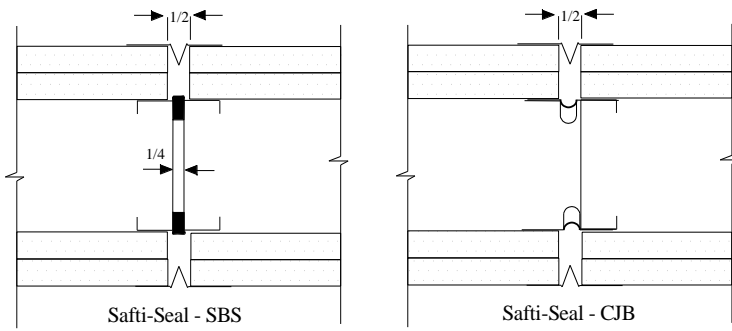


**11** Bottom of Shaft Wall – (VM12)  
UL Ref. [BW-S-0054](#)

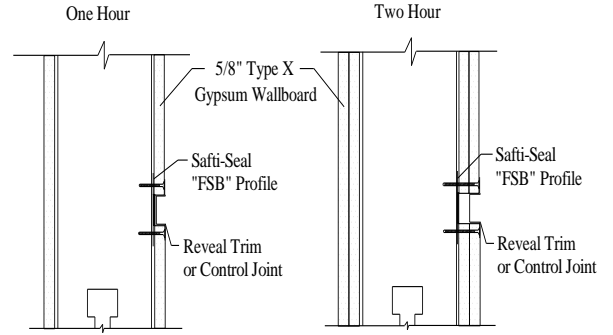


**12** Concrete Beam Edge – (PT1)  
UL Ref. [HW-D-0890](#)

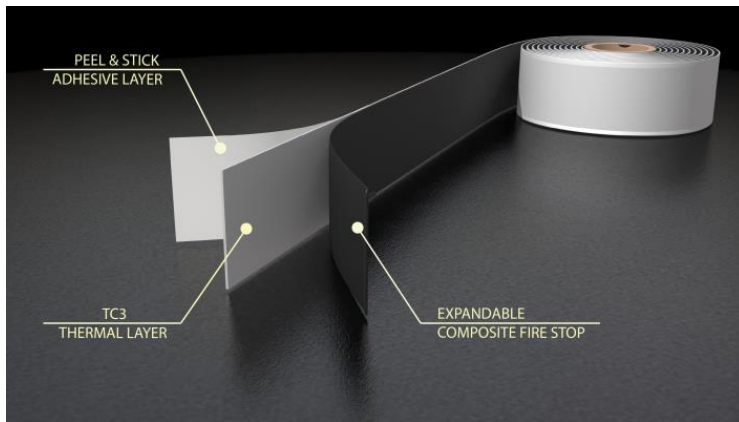
# Project Submittal – Concrete - PT/Slab



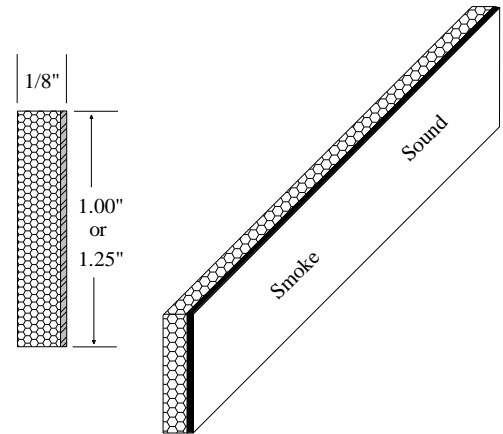
**13** Control Joint – Butt Strip or CJB – ([VM8](#))  
UL Ref. WW-D-0257 & WFCi Ref. #12033



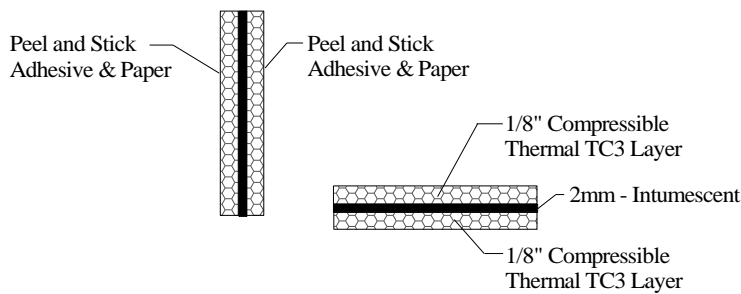
**14** Reveal Trims – FSB Backer – ([VM7](#))  
WFCi Ref. #12142



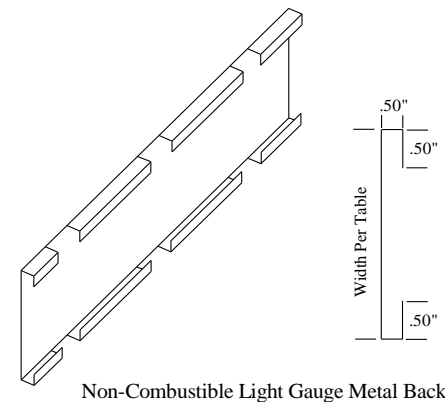
[FRG – Fire Rated Gasket](#)



[SSG – Smoke-n-Sound Gasket](#)



[BSG – Butt Strip Gasket](#)



Meets Load Requirements of:  
ADAAG Section 4.26 (Grab Bars, Hand Rails, and Shower Seats)  
OSHPD 2013 CBC (Details ST5.00, ST5.01, and ST5.03)

[NSB – Notched Strong Back](#)



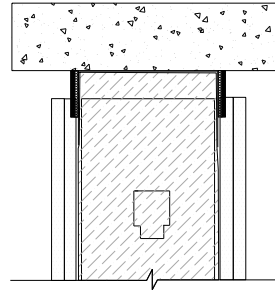
Sound Tested in Accordance  
with ASTM E90-09

### Safti-Seal Gasket Benefits

- Seat/Seal to Substrate "gasket" Protection
  - No Adhesive, Cohesive, or Substrate Failure
  - Level III Dynamic Cycle (seismic) Rated
  - Seal Flanking Paths Around Assembly
  - Dampened Sound & Vibration Transfer
  - Exposed Head of Wall and Deflection Gaps
  - Lifetime Seal - No Joint Material Fatigue
- Reports (ASTM E90-09) Click Report Number

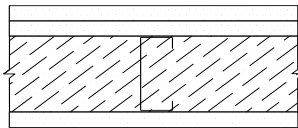
### Safti-Seal Tested Wall Assemblies

- 1/2" to 3/4" Exposed Deflection Gaps
- 5/8" Type X Gypsum Sheathing
- 3 1/2" Fiberglass Insulation Cavity Fill



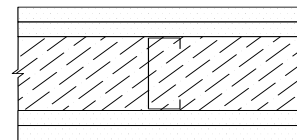
#### **STC - 51**

Single Wall Unbalanced - ([TL 17-289](#))



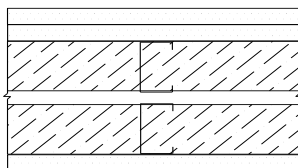
#### **STC - 55**

Single Wall Balanced - ([TL 17-288](#))



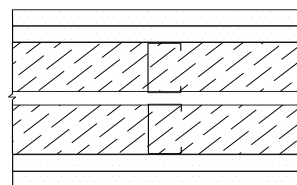
#### **STC - 63**

Chase Wall Unbalanced - ([TL 17-293](#))



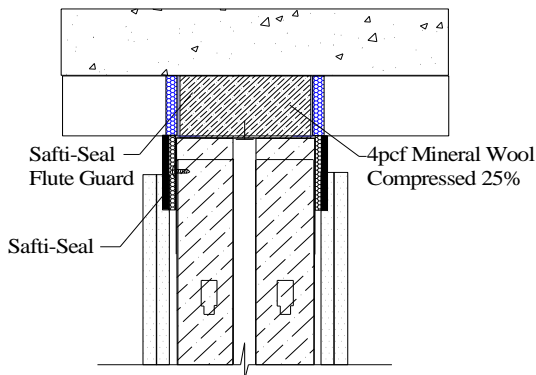
#### **STC - 64**

Chase Wall Unbalanced - ([TL 17-292](#))



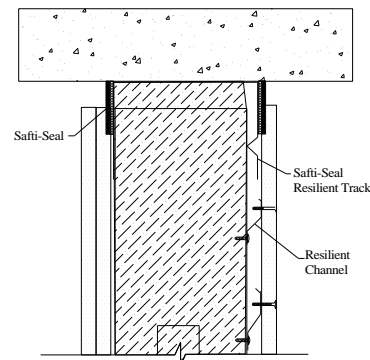
#### **STC - 64**

Flute Guard Perpendicular - ([TL 19-113](#))



#### **STC - 54**

Resilient Channel Assembly - ([TL 19-184](#))





Sound Tested in Accordance  
with ASTM E90-09

## **LEED (Leadership in Energy and Environmental Design)**

The following information is provided to assist Architects and Persons responsible for obtaining a U.S. Green Building Council (USGBC) Certification.

Safti-Seal composite steel/Safti-Seal FRG profiles are manufactured in Auburn, WA and our product profiles qualify for the following credit requirements:

### **LEED v3 for Building and Design Construction**

- ❖ Credit MR 2.1 & 2.2 - Construction Waste Management: up to 2 points
- ❖ Credit MR 4.1/4.2 – Recycled Content Requirements

Steel used in the manufacture of our Safti-Seal steel profiles contains approximately 32.3% recycled steel consisting of 25.5% Post-Consumer and 6.8% Pre-Consumer.

- ❖ Credit MR 5.1/5.2 – Regional Materials Requirements (Applies for some projects)
- ❖ Credit EQ 4.1 – Low Emitting Materials: Adhesives & Sealants
- ❖ Credit EQ 9 – Enhanced Acoustical

### **LEED v4 for Building and Design Construction**

- ❖ MR Prerequisite: Construction and Demolition Waste Management Planning
- ❖ MR Credit: Construction and Demolition Waste Management
- ❖ MR Credit: Building Product Disclosure and Optimization – Sourcing of Raw Materials, Option 2
- ❖ MR Credit: Building Product Disclosure and Optimization – Environmental Product Declarations, Options 1 & 2
- ❖ MR Credit: Building Product Disclosure and Optimization – Material Ingredients, Options 1
- ❖ MR Credit: Life-Cycle Impact Reduction, Option 4

### **Why is there no LEED Certification on the product label?**

According to USGBC: “USGBC certifies buildings, not the materials that are used to construct the buildings. Only USGBC can use the LEED logo. All others violate USGBC’s registered trademark rights.”