



## Install Guide & Tips – FRG Flex-Lock to Flat Concrete Substrate

### Fire, Smoke, & Sound Rating of Standard Zinc & Vinyl Control Joints

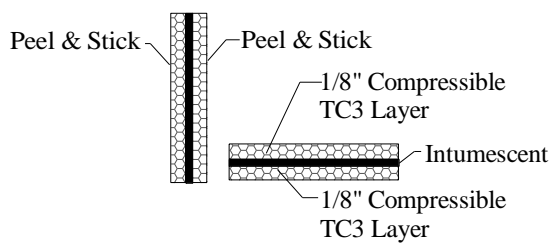
#### CJG (Control Joint Gasket) & FRG (Fire Rated Gasket)

**Eliminate** Drywall Rips, Mineral Wool, & Sealant Required for STC, Fire, Air/Smoke Leakage

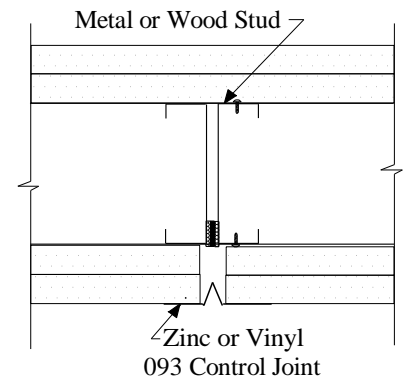
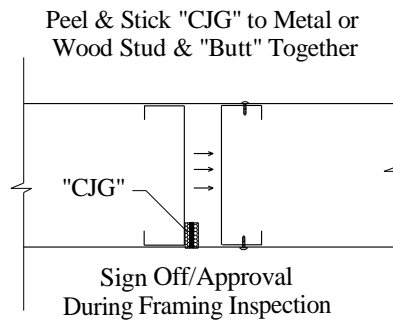
Install Before Drywall for Unobstructed Inspection & Verification

Lifetime Rating Unaffected by Repair or Replacement of Damaged Trim Profiles

#### Vertical Application – UL Listing [WW-D-0257](#)



Part #	Strip Width	Thickness
CJG	1.00"	3/8"



#### Horizontal Applications – UL Listing [HW-D-0893](#) & [WFCi Report #12142](#)

