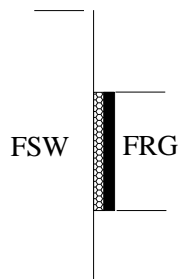
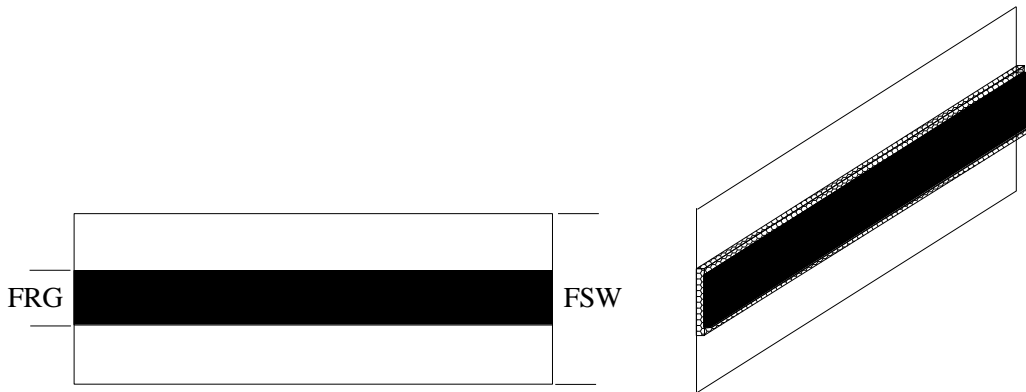




Install Guide & Tips – Flat Strap Backer Rating Recessed Reveal

Safti Seal "FSB" (Flat Strap Backer)

Flat strap backer composite is 20ga metal with an affixed cured intumescent providing fire rated protection of architectural joints and reveal profiles. Profile sections are fabricated from hot-dipped galvanized steel complying with ASTM A653 with a minimum G40 coating. Profiles comply with ASTM C645 and are installed behind joints or gaps in wall sheathing accommodating architectural reveal profiles.

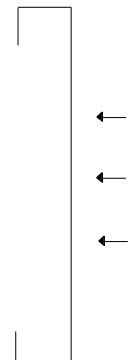


Part #	FRG Width	Flat Strap Width	Gauge
FSB-075	0.75"	3.00"	.030
FSB-100	1.00"	3.00"	.030
FSB-125	1.25"	3.00"	.030

Horizontal Application
Span across studs



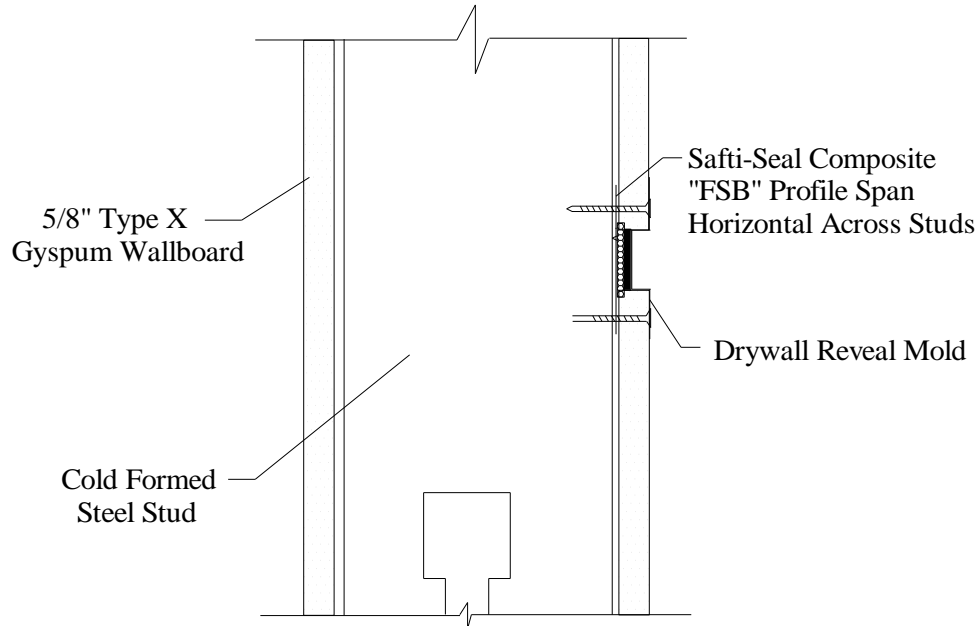
Vertical Application
Install in front of stud



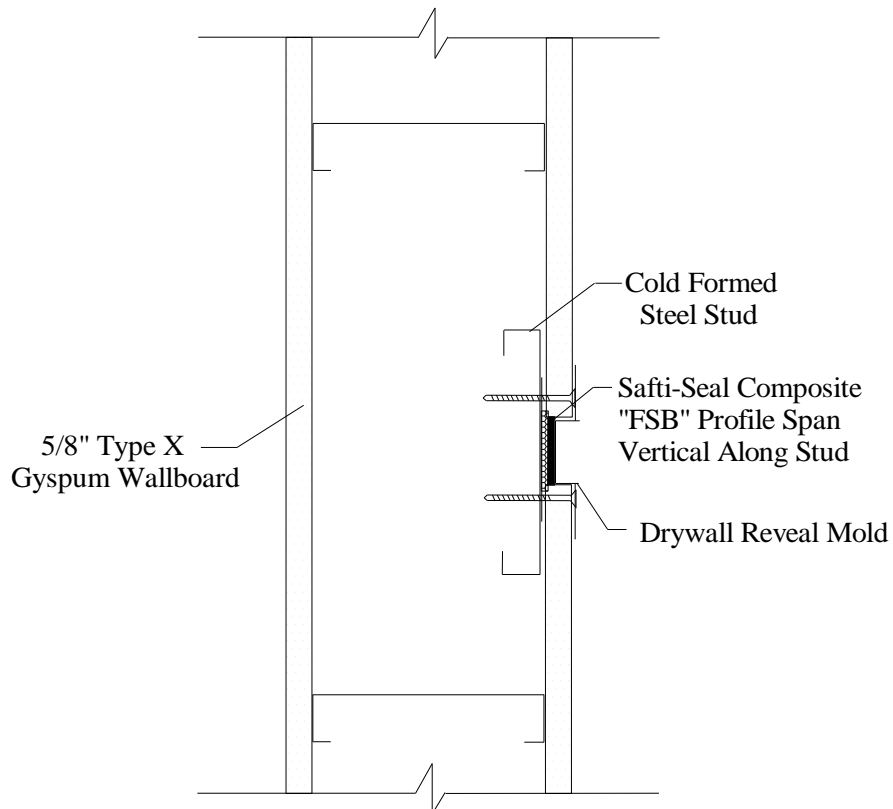


Install Guide & Tips – Flat Strap Backer Rating Recessed Reveal

Rated Wall Condition - 1 hour - Side View (FSB horizontal across studs)



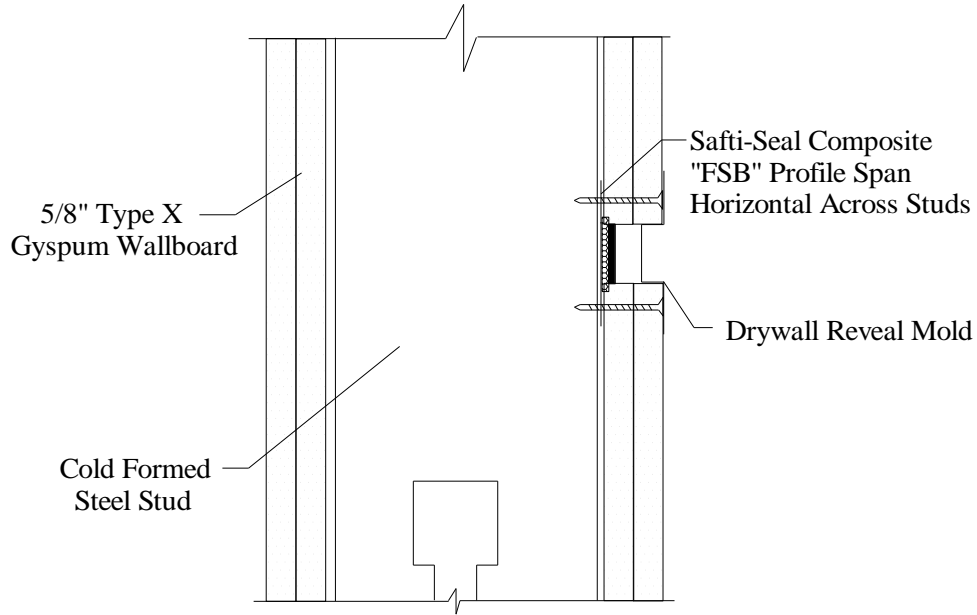
Rated Wall Condition - 1 Hour - Top View (FSB vertical in front of stud)





Install Guide & Tips – Flat Strap Backer Rating Recessed Reveal

Rated Wall Condition - 2 hour - Side View (FSB horizontal across studs)



Rated Wall Condition - 2 Hour - Top View (FSB vertical in front of stud)

