

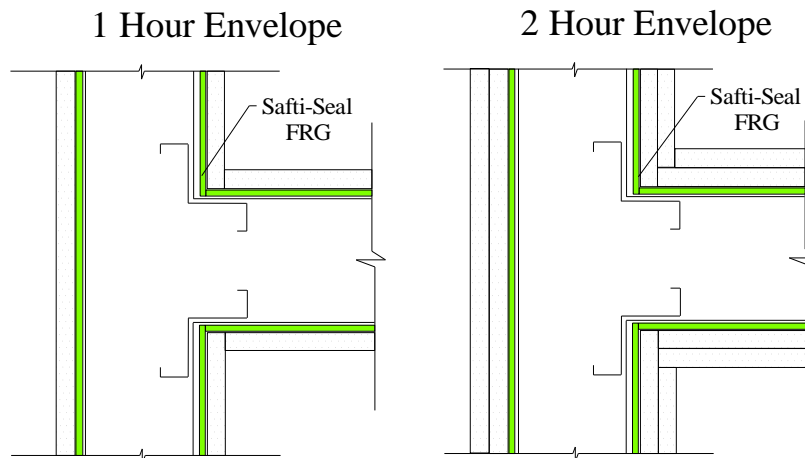


## Install Guide & Tips – Code Compliant “Hard” Corners – No Intersection Gaps

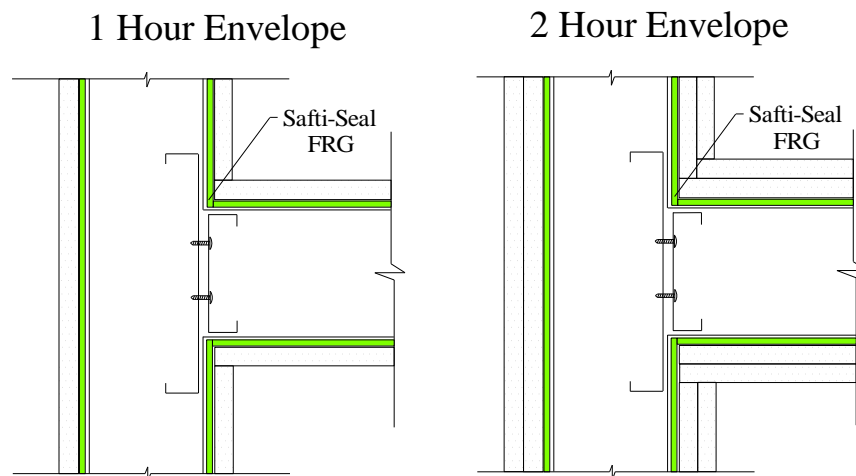
### Continuous Joint Protection Backing & Hard Corner Framing

- **Code Compliant** Continuous Backing of Joint Materials at Wall Intersections
- **No “Pass Through Gap”** as Tested in Third Party Certifications of Fire & Smoke/Sound Assemblies
- Use Inside Corner Stud or Additional Support Stud
- Eliminate Slider Sheet & Issues:
  - Reduce Drywall Cut & Split Sheets around cavity MEP
  - Eliminate Sealing Requirements of “Cavity Penetrations” through Slider Sheets
  - Improve productivity by “Cutting & Hanging Gypsum Squares”
  - Avoid “Cut & Slide” difficulty around Penetrations (Pipes, Cables, Electrical Boxes, Etc)
  - Cavity Rips in only Dissimilar Rated Intersections

#### Inside Corner Stud - Same Rating



#### Oversized Stud Backing - Same Rating

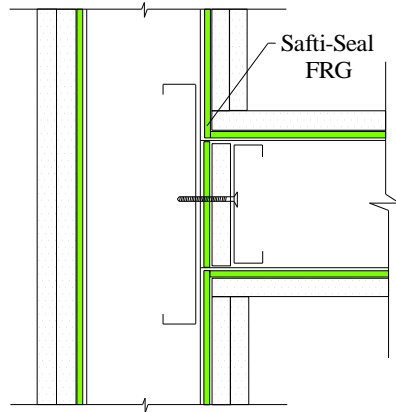




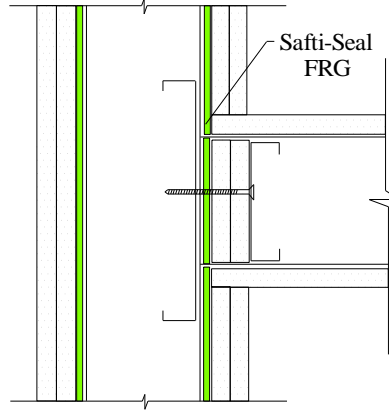
## Install Guide & Tips – Code Compliant “Hard” Corners – No Intersection Gaps

### Oversized Stud Backing - Uneven Rating

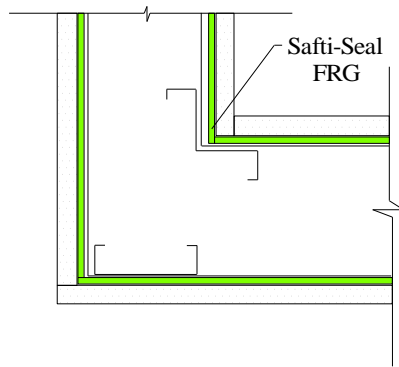
2 Hour & 1 Hour



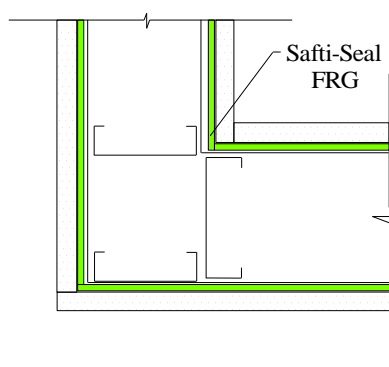
2 Hour & Non-Rated



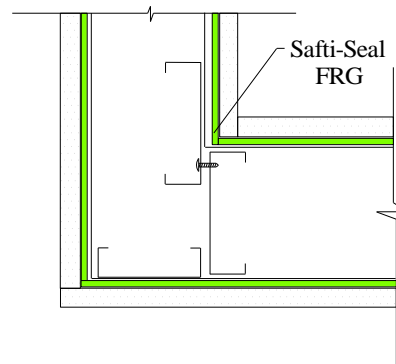
Inside Corner Stud



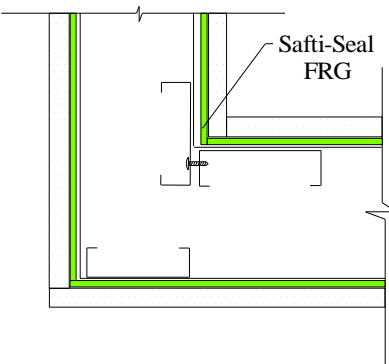
Three Stud Corner



Three Stud Backing



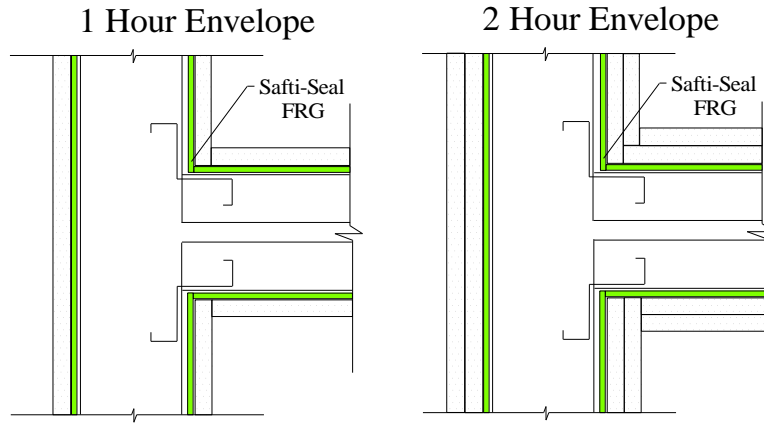
Two Stud Corner



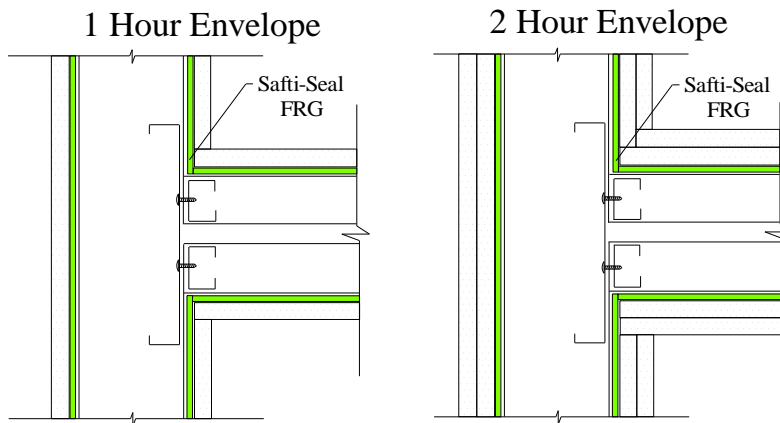


## Install Guide & Tips – Code Compliant “Hard” Corners – No Intersection Gaps

### Inside Corner Stud - Same Rating



### Oversized Stud Backing - Same Rating



### Oversized or 2 Stud Backing - Uneven Rating

