



Install Guide & Tips – Horseshoe Framing “Offset Leg” Track

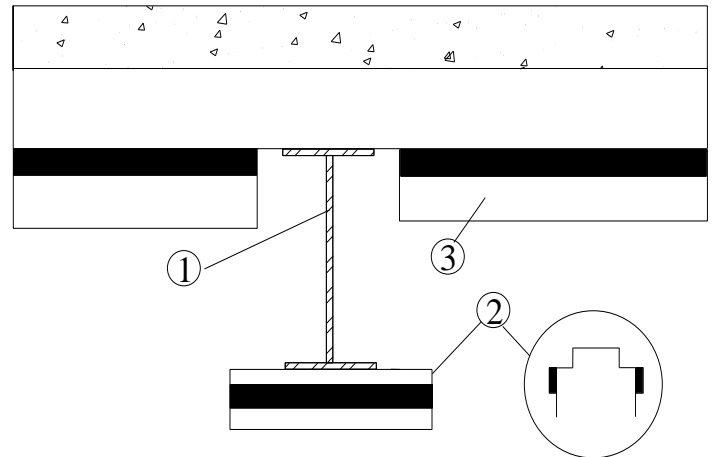
- **Offset leg profile (solid leg shown)**
- **Pre-Track before fire proofing**

- **Square Cut" Gypsum Board Fire**
- **Proofing Fill - Beam Cavity**

1. Structural Support - I-Beam or Open Web Truss Penetration through wall

2. Offset Leg Profile - Install offset leg profile with "upper leg" depth to extend through required fire proofing extending approx. 2" past each edge of beam flange

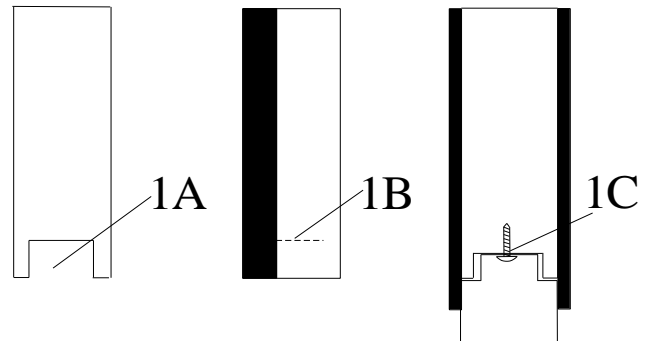
3. Safti-Seal Profile - Install U-shaped profile intersecting beam to deck leaving gap distance of required fire proofing on beam - (i.e. 1 1/2" from beam flange edges)



1A. Flange - Snip web of vertical U-shaped "beam drops" and bend inward towards legs (end view)

1B. Flange - Side View of "bent flange" in track cavity

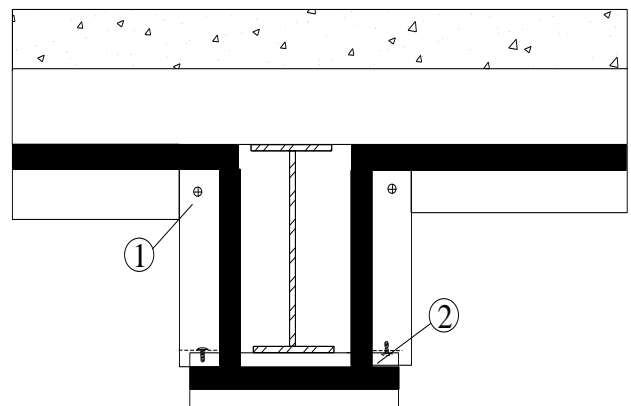
1C. Attachment - Install over offset leg profile and fasten flange to offset leg profile typical fastener (end view)



Note: Beam Drops min. 20ga with 3/4" wide Safti-Seal FRG for "edge backing" of drywall

1. Beam Drop - Insert "beam drop" and fasten to intersecting Framing Profiles with screws (one at each end of beam drop)

2. Joint - Butt Safti-Seal FRG materials to keep continuous around beam





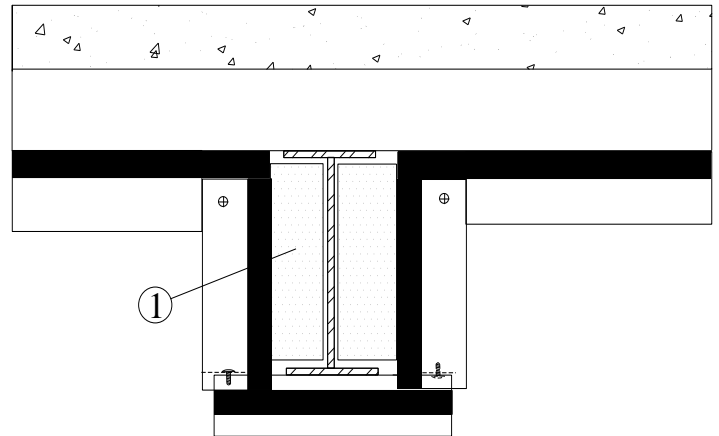
Install Guide & Tips – Horseshoe Framing “Offset Leg” Track

1. Beam Cavity Backing - Install min. 20ga angle height and width of Beam Cavity both sides "centering" as backing support for fire proofing on either side

-Option A – attach Backing to beam web with power actuated fastener before or after Beam Drop Installation (any gap within 1/2" of Beam Drop) - i.e. extending min. 1" past edge of beam flanges to accommodate fire proofing

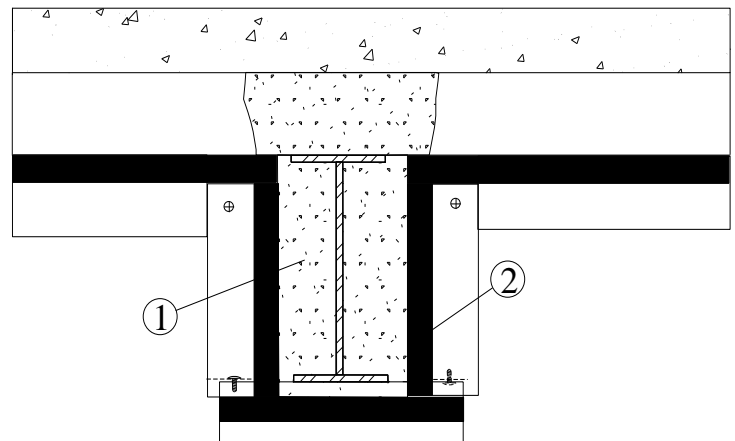
-Option B - attach to web of Beam Drop with screws (Backing within 1/2" of Beam Web)

Note: alternate Z-clip, Metal Track, or Stud min. 20ga may be used in place of Angle if installed in similar manner and location



1. Fire Proofing - Fill beam cavity with fire proofing materials during coating of beam applying at least same thickness as required on beam to each side of Beam Cavity Backing and web surface of Beam Drop facing beam cavity

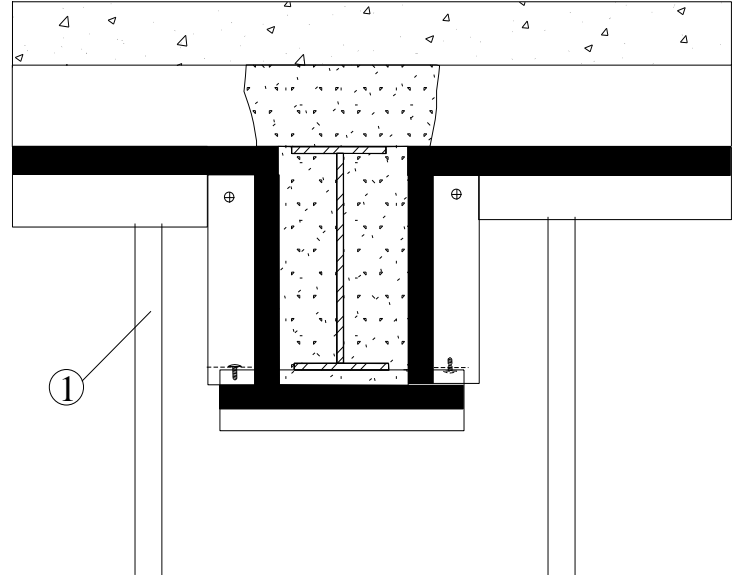
2. Fire Rated Gasket - Scrape away fire proofing materials from Safti-Seal FRG around beam and along deck to accommodate drywall overlap





Install Guide & Tips – Horseshoe Framing “Offset Leg” Track

1. Wall Framing - Install wall framing materials (studs) for gypsum drywall application



1. Gypsum - Install Gypsum drywall sheathing "square cutting" around beam penetration leaving "deflection gap" below beam and at overhead substrate

2. Vertical Overlap - Drywall need overlap vertical Safti-Seal FRG gasket on beam drop a min 1/4"

Note:

1) Drywall may completely cover vertical Safti-Seal FRG as it will not interfere with dynamic vertical deflection

2) Do not fasten wall sheathing to "Horse Shoe" framing around beam penetration

