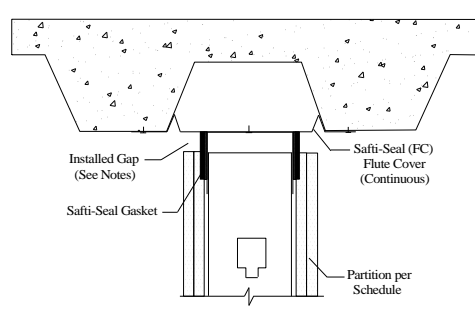
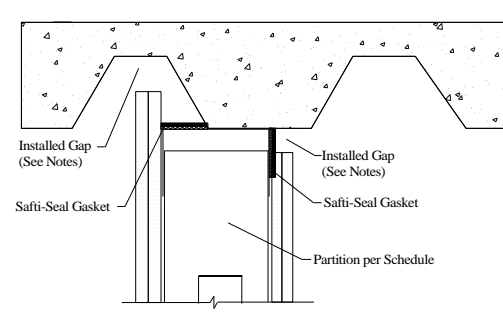


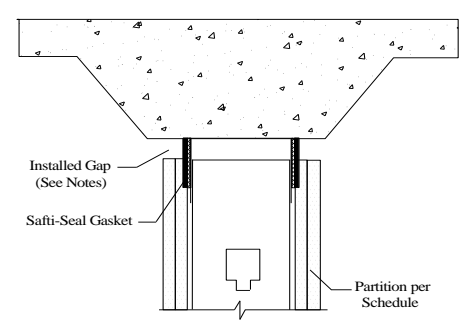
1 Perp. Flute & Parallel Beam – (UD1)
UL Ref. [HW-D-0900](#)



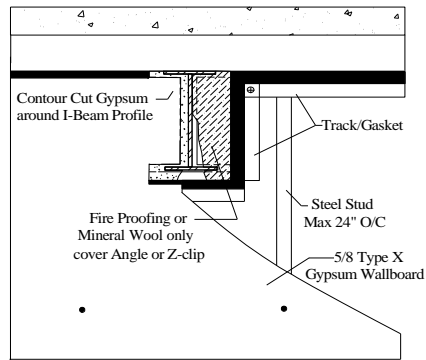
2 Parallel Under Flute Cover – (UD3)
UL Ref. [HW-D-0896](#)



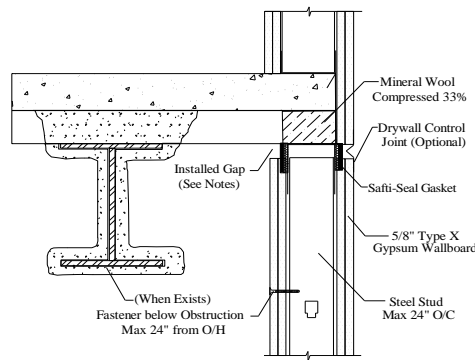
3 Cantilever Under Valley – Flute – (UD4)
UL Ref. [HW-D-0896](#)



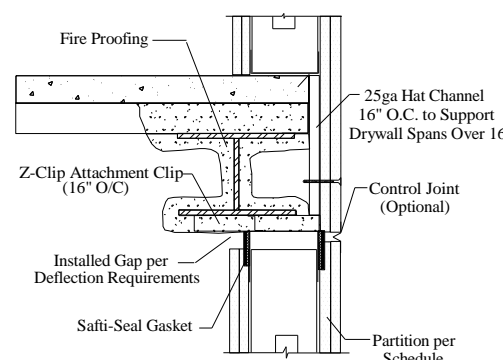
4 Centered Under Valley – (UD9)
UL Ref. [HW-D-0896](#)



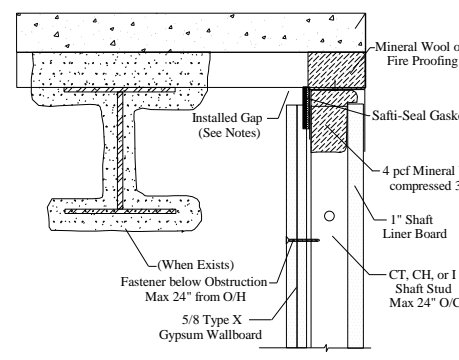
5 Beam Penetration – (SS1)
UL Ref. [HW-D-0895](#)



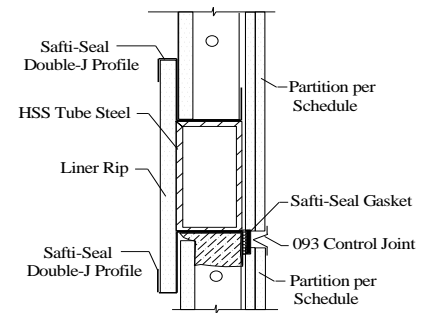
6 Stair/Shaft Parallel Beam – (SS2)
UL Ref. [HW-D-0893](#)



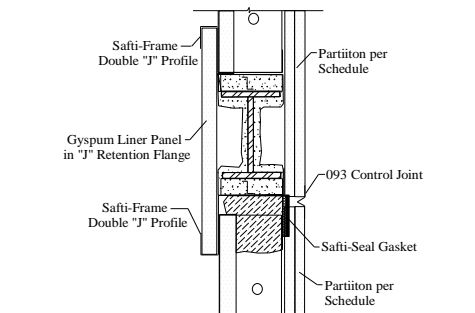
7 Stair/Shaft at Beam – Z-Clips – (SS8)
UL Ref. [HW-D-0893](#)



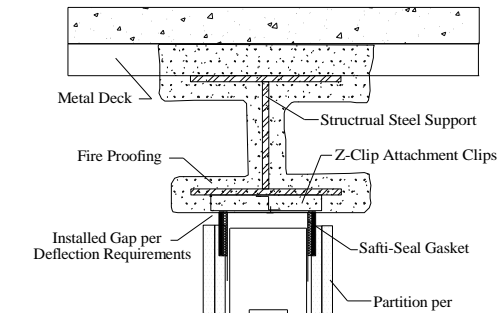
8 Shaft Wall Parallel Beam – (SS6)
UL Ref. [HW-D-0898](#)



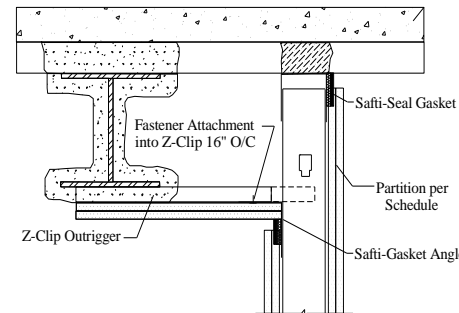
9 Shaft Wall HSS - Double J – (SS14)
UL Ref. [HW-D-0894](#)



10 Shaft Beam - Double J – (SS15)
UL Ref. [HW-D-0894](#)



11 Parallel Under Beam – Z-Clips – (SS7)
UL Ref. [HW-D-0897](#)



12 Beam >24" - Z-Clips/Rips – (SS10)
UL Ref. [HW-D-0903](#)

13 Chase Wall – Perpendicular – (UD2)
UL Ref. [HW-D-0899](#)

14 Chase Wall - Diagonal Brace – (SS13)
UL Ref. [HW-D-0899](#)

15 Resilient Channel Assembly – (PT9)
UL Ref. [HW-D-0890](#)

16 Cantilever – Mineral Wool – (UD7)
UL Ref. [HW-D-0896](#)

17 Vertical Single Wall to Wall – (PT11)
UL Ref. [WW-S-0089](#)

18 Single – Bottom of Wall – (PT6)
UL Ref. [BW-S-0055](#)

19 Vertical Shaft Wall to Wall – (PT11)
UL Ref. [WW-S-0088](#)

20 Shaft – Bottom of Wall – (VM12)
UL Ref. [BW-S-0054](#)

21 Control joint – Butt Strip – (VM8)
UL Ref. [WW-D-0257](#)

22 Control Joint – CJB Backer – (VM9)
WFCi Ref. [Report #12033](#)

23 Reveal Trims – FSB Backer – (VM7)
WFCi Ref. [Report #12142](#)

24 Notched Strong Back Backing – (PS51)
Load Tables for Horizontal & Vertical Capacity