

Structural Support “Beams”

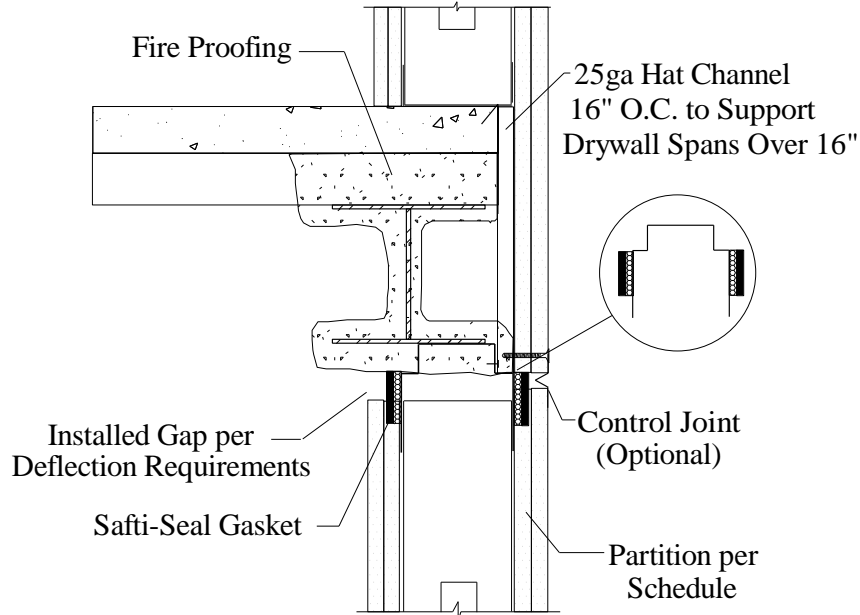


Sound Tested in Accordance
with ASTM E90-09

SS5 – Stair Shaft Bypass Beam

Fire Rated Gasket (FRG) - UL Listing: [HW-D-0893](#) – *STC 55*
Smoke-n-Sound Gasket (SSG) – WEAL Report: [TL17-288](#) – *STC 54*

Fire Rated	Smoke-n-Sound	Strip Width	Max. Joint Protection
FRG-75	SSG-75	1.00”	.75”
FRG-100	SSG-100	1.25”	1.00”
FRG-150		1.75”	1.50”
FRG-200		2.25”	2.00”



1. Installed Gap - Single Story (compression only) = **Deflection Joint Protection**
2. Installed Gap - Multi-Story (compress + extension) = **1/2 distance** of **Deflection Joint Protection**
3. Attach to substrate with approved fastener max 24” O.C or per E.O.R.
4. Drywall fastenes max 3” below track flanges
5. Fire Rated (FRG) install and overlap per UL listed assembly or Safti-Seal install guide
6. Sound Gasket (SSG) install per WEAL test report

UL, ASTM & Code Standards

UL2079 (5th Edition) & CAN/ULC S115
ASTM E814, E1966, E2837
A1003, A653, A924, C645, C754, C955
Sound Tested according to ASTM E90-09
2012 & 2015 IBC

Leed Points

MR 2.1 & 2.2 - Construction Waste: up to 2pts
MR 4.1 & 4.2 - Recycled Content: up to 2 pts
MR 5.1 & 5.2 - Regional Proximity
EQ 4.1 - Low Emitting Materials
EQ 9 - Enhanced Acoustical

Phone: (425) 869-2811 Fax: (425) 869-2300
U.S. Patent 10,626,598

www.saftiseal.com