

# Submittal – Smoke/Sound, Non-Rated Reveal, & Recessed Base



Sound Tested in Accordance  
with ASTM E90-09

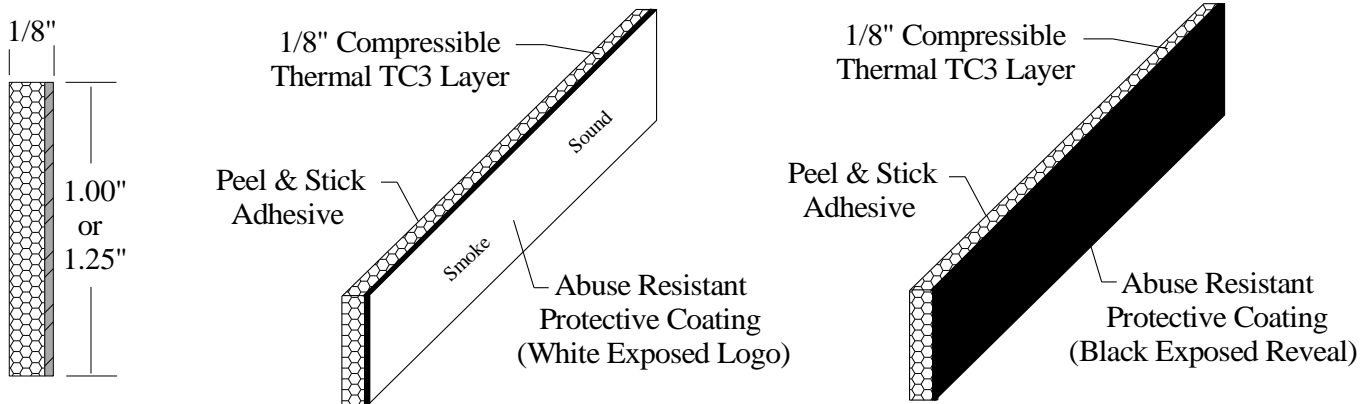


## Smoke-n-Sound Seal Gasket – “SSG”

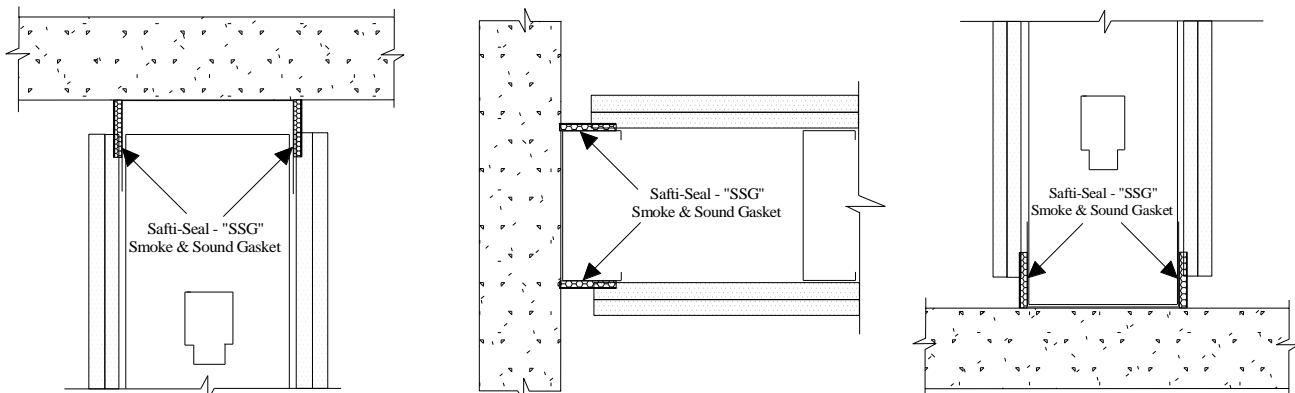
- “Peel & Stick” Gasket Joint Protection Installed Before Drywall
- Provides 100% Unencumbered Movement – Paintable Profiles
- **UL 2079:** *Certified to Level III (Seismic) Cyclical Rating*
- **ASTM E-90:** *Certified to Exposed Joint Protection (STC 64)*
- **ASTM E-84:** *Flame Spread = 0 & Smoke Development = 0*
- **Temp:** *Storage & Application - 10 to 150 °F*



MEP, Stud, &  
Exposed &



- Accommodate Building Deflection Requirements
- Lifetime **Smoke & Sound Protection - No Material Fatigue**
- Exposed Shadow Line Reveal or Rating of Cosmetic Tape/Trims



# Submittal – Smoke/Sound, Non-Rated Reveal, & Recessed Base

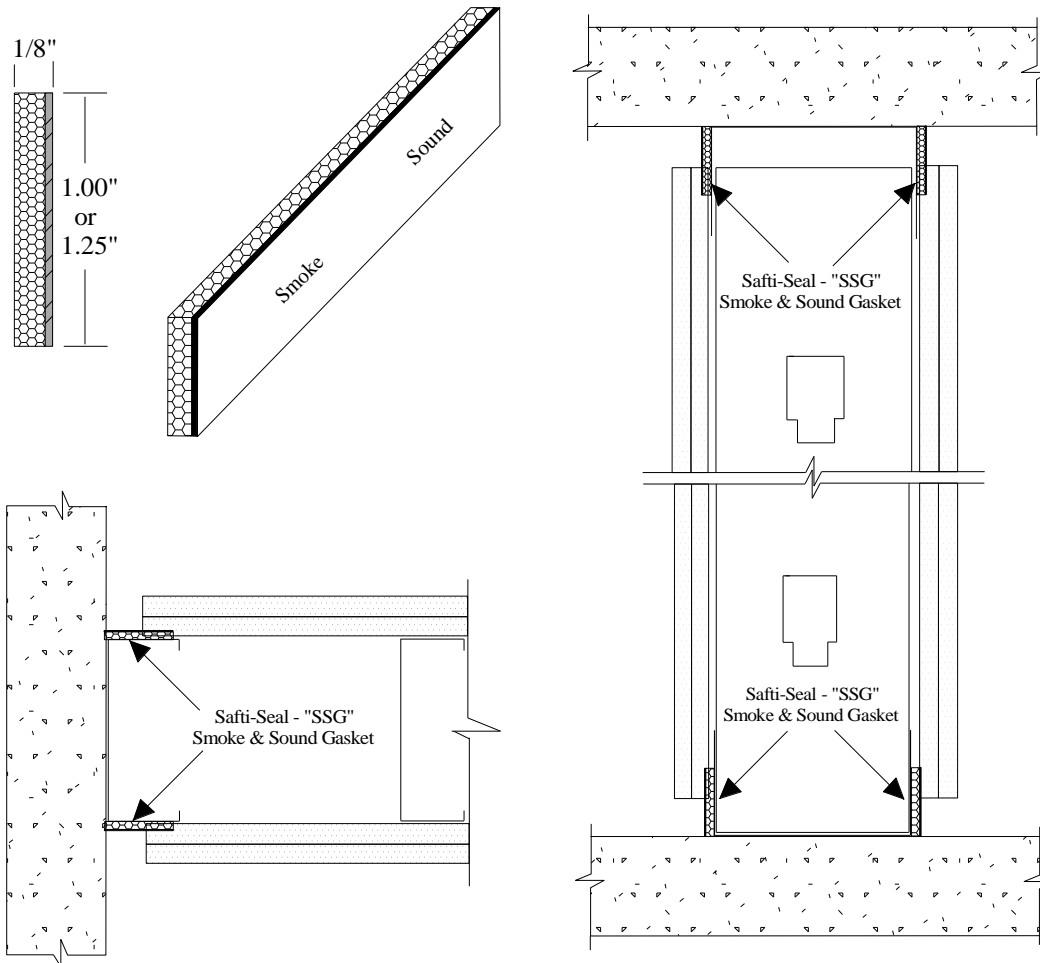


Sound Tested in Accordance  
with ASTM E90-09

## PS2 - "SSG" Smoke & Sound Gasket Seal – "Peel & Stick" Roll

Smoke & Sound Seal Gasket - with Air, Water, & Abuse Resistant Coating. Pressure Sensitive Adhesive for "Peel and Stick" application. Material acceptable for use with non-solvent based paint, caulk, sprays, and zinc or vinyl drywall trims. Third party certified for both dynamic and static joint conditions.

- ASTM E-90: Reports TL19-103 & 113 (**64 STC rated**)
- ASTM E-84: *Flame Spread: 0* & *Smoke Development: 0*
- UL 2079 v.5: Level III (Seismic) Cyclical Standard
- Temp: Storage & Application - 10 to 150 °F



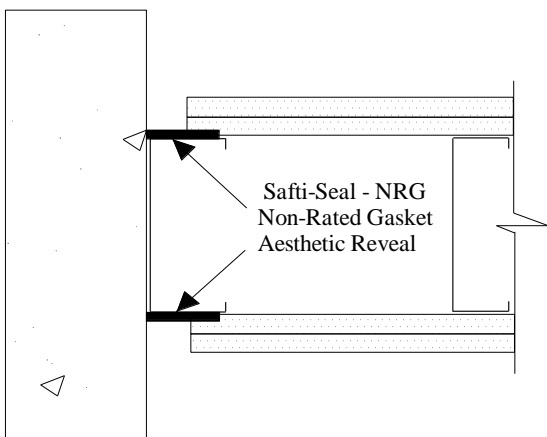
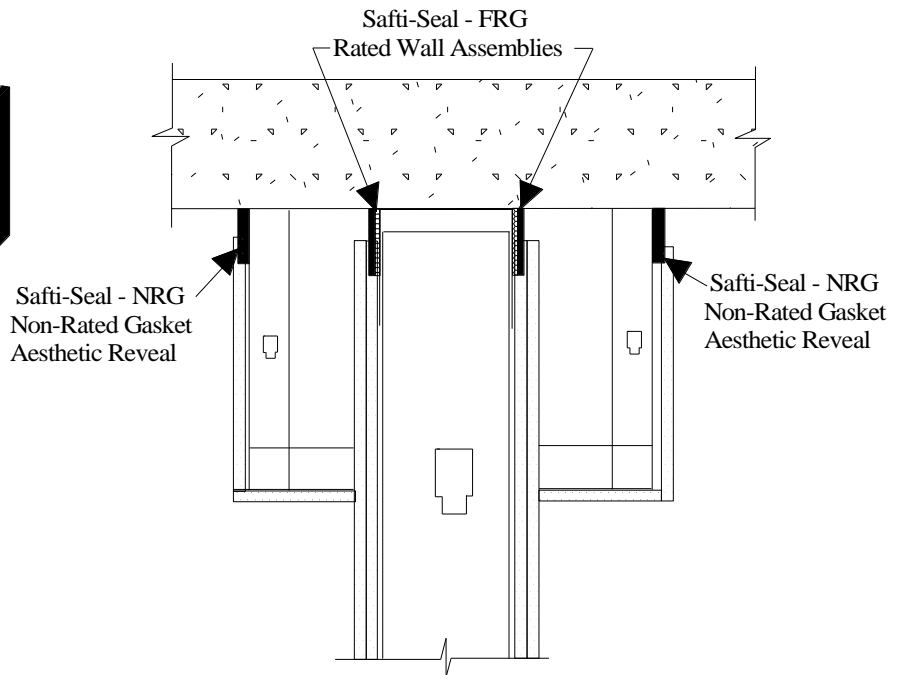
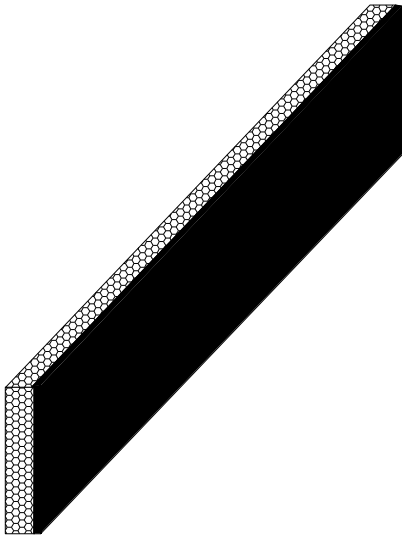
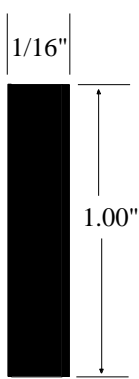
Product	Strip Width	Lft/Roll	Joint Width
SSG-75	1.00"	108'	.50"
SSGB-75 (Black)	1.00"	108'	.50"
SSG-100	1.25"	108'	.75"
SSGB-100 (Black)	1.25"	108'	.75"

# Submittal – Smoke/Sound, Non-Rated Reveal, & Recessed Base



## Non-Rated Aesthetic “Reveal” Gasket – “NRG”

- “Peel & Stick” Aesthetic Gasket Exposed Reveal - Install Before Stud & Drywall
- Use in Non-Fire, Smoke, Sound Rated & Non-Dynamic Conditions
- Available in Black or White 1.00” Strip Width – 108 lft/roll
  - **ASTM E-84: Flame Spread: = 0 & Smoke Development: = 0**
  - **Temp: Storage & Application: - 10 to 150 °F**

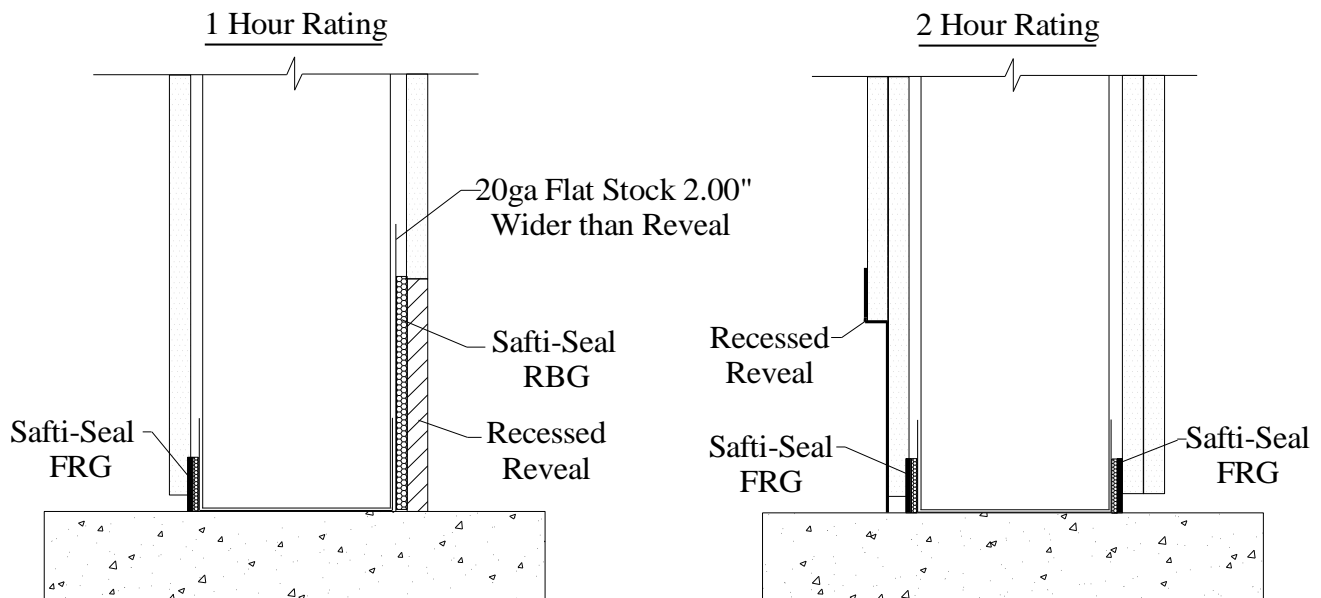
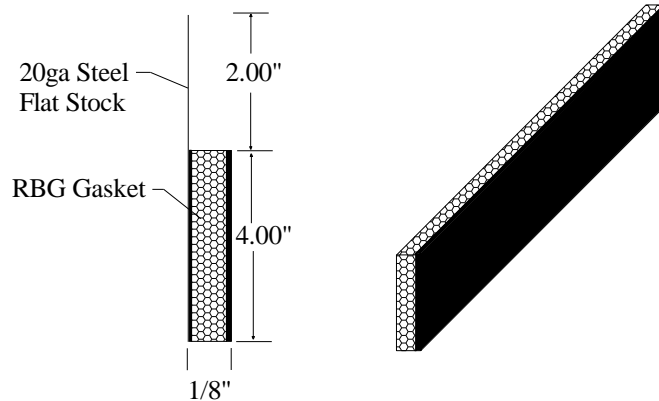


# Submittal – Smoke/Sound, Non-Rated Reveal, & Recessed Base



## Recessed Base Gasket – “RBG” & Rated Assemblies

- “Peel & Stick” Recessed Base Gasket Application 1 & 2-Hour Assembly
  - Use RBG for 1 Hour Assemblies with Recessed Wood or Metal Trims
  - Use FRG Applied to Bottom Track Flange for 2 Hour Assemblies
  - Third Party Fire/Smoke (UL 2079 v.5) Certified & Moisture/Water Resistant
- **Temp: Storage & Application: - 10 to 150 °F**





## **AC28 – Non-Fire Rated Gaskets Chemical Compatibility with Sealants**

Safti-Seal Smoke-n-Sound Gasket (SSG) and Recess Base Gasket (RBG) product profiles are produced using a closed cell foam with a protective polyethylene fiber coating acting as the "joint fill" and seal against smoke and sound transfer. Safti-Seal Non-Rated Gasket (NRG) is a closed cell foam used for non-rated reveal joint conditions. The composite profiles are chemically compatible with "non-solvent" based materials (i.e. caulks, mud, paints, fire proofing, etc..) and as such will be unaffected and not degrade where contact may occur.

Current sealant manufacturer's products verified as non-solvent and compatible with Safti-Seal SSG, RBG, & NRG materials are:

Rectorseal:

Metacaulk - 1000, 350i, MC 150+, 950, 1100, 1200, 1500

Biostop - 500+, 350i, BF 150+, 700, 750, 800

Flamesafe - FS1900, FS 900+, FS3000

United States Gypsum (USG):

Type AS

Other brand names are acceptable based on individual manufacturer of specific brand provided verification of materials being "non-solvent" and manufacturer will allow/warranty use of them in applicable conditions.



### **AC21 – Product Maintenance**

Safti-Seal Fire Rated Gaskets (FRG, CJG, RCG & RBG) and Non-Fire Rated Gaskets (SSG & NRG) are produced with cured and inert 100% solids which produce no VOC “off gasing” or volatile molecules. Being cured solids there is no change in material over time or “post install” maintenance required upon proper installation.

Avoid contact with Solvent based materials. If material is dislodged from original installation reapply per Safti-Seal installation and repair instructions.

## Submittal – Smoke/Sound, Non-Rated Reveal, & Recessed Base



### **LEED (Leadership in Energy and Environmental Design)**

The following information is provided to assist Architects and Persons responsible for obtaining a U.S. Green Building Council (USGBC) Certification.

Safti-Seal Non-Fire Rated Gaskets (SSG & NRG) profiles are manufactured in Auburn, WA and consist of a Polyethylene foam and spun bound olefin fiber ratio (by weight) of approximately 98% and 2% respectively. Our product profiles qualify for the following credit requirements:

**Credit MR 2.1 & 2.2** - Construction Waste Management: up to 2 points

**Credit MR 5.1/5.2** – Regional Materials Requirements (Applies for some projects)

**Credit EQ 4.1** – Low Emitting Materials: Adhesives & Sealants

Materials and adhesives used in the manufacture of our profiles contain less than 10 g/l volatile organic compounds (VOC) and comply with limits established by the South Coast Air Quality Management District (SCAMQD) Rule #1168, and the Bay Area Air Quality Management District Regulation 8, Rule 51.

**Credit EQ 9** – Enhanced Acoustical

**Why is there no LEED Certification on the product label?**

According to USGBC: “USGBC certifies buildings, not the materials that are used to construct the buildings. Only USGBC can use the LEED logo. All others violate USGBC’s registered trademark rights.”