

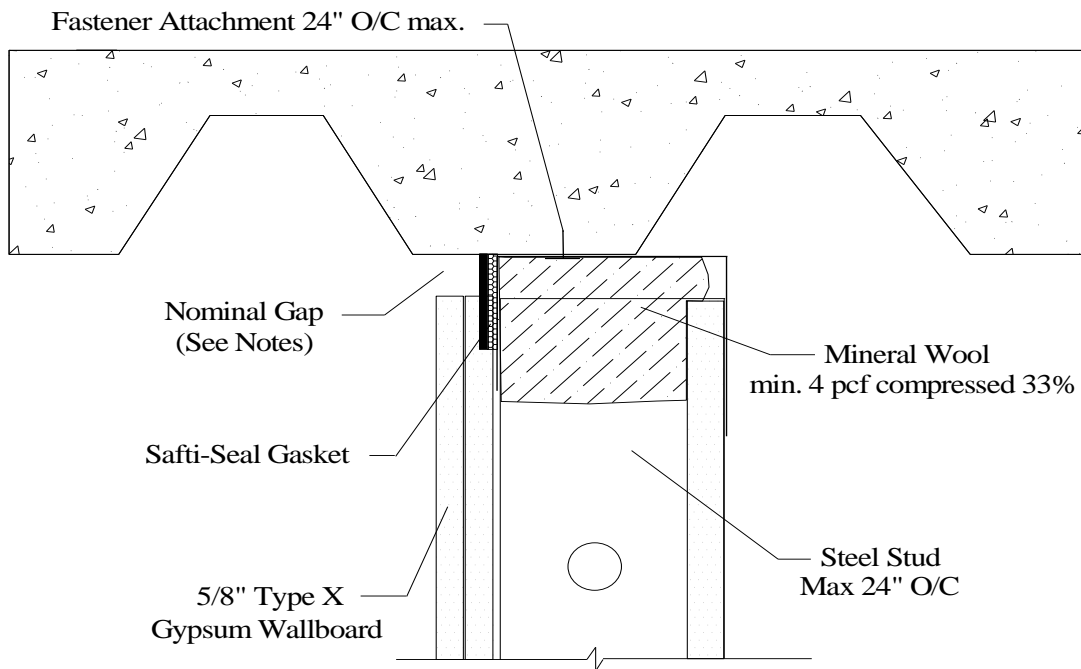
Unprotected “Bare” Fluted Substrate



UD15 - Shaft Wall Offset Under Valley

Fire Rated Gasket (FRG) - UL Listing: [HW-D-0898](#) – STC 55

Fire Rated	Smoke-n-Sound	Strip Width	Max. Joint Protection
FRG-75	SSG-75	1.00"	.75"
FRG-100	SSG-100	1.25"	1.00"
FRG-150		1.75"	1.50"
FRG-200		2.25"	2.00"



1. Installed Gap - Single Story (compression only) = **Deflection Joint Protection**
2. Installed Gap - Multi-Story (compress + extension) = **1/2 distance** of **Deflection Joint Protection**
3. Attach to substrate with approved fastener max 24" O.C or per E.O.R.
4. Drywall fastenes max 3" below track flanges
5. Fire Rated (FRG) install and overlap per UL listed assembly or Safti-Seal install guide
6. Sound Gasket (SSG) install per WEAL test report

UL, ASTM & Code Standards

UL2079 (5th Edition) & CAN/ULC S115
 ASTM E814, E1966, E2837
 A1003, A653, A924, C645, C754, C955
 Sound Tested according to ASTM E90-09
 2012 & 2015 IBC

Lead Points

MR 2.1 & 2.2 - Construction Waste: up to 2pts
 MR 4.1 & 4.2 - Recycled Content: up to 2 pts
 MR 5.1 & 5.2 - Regional Proximity
 EQ 4.1 - Low Emitting Materials
 EQ 9 - Enhanced Acoustical

Phone: (425) 869-2811 Fax: (425) 869-2300
 U.S. Patent 10,626,598