

Vertical & Miscellaneous

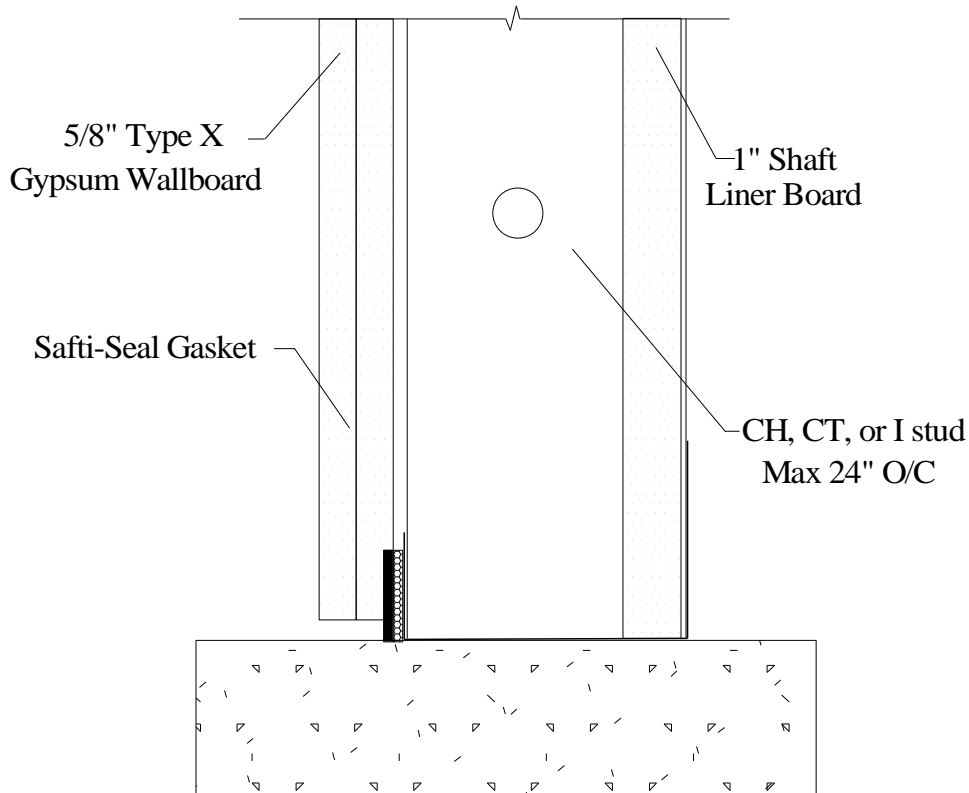


Sound Tested in Accordance
with ASTM E90-09

VM12 - Bottom Shaft Wall

Fire Rated Gasket (FRG) - UL Listing: [BW-S-0054](#) – *STC 55*
Smoke-n-Sound Gasket (SSG) – WEAL Report: [TL17-288](#) – *STC 54*

Fire Rated	Smoke-n-Sound	Strip Width	Max. Joint Protection
FRG-75	SSG-75	1.00"	.75"
FRG-100	SSG-100	1.25"	1.00"



1. Wall Sheathing overlapping intumescent min. 1/4"
2. Attach to substrate with approved fastener max 24" O.C or per E.O.R
3. OK to screw drywall and stud to Bottom Track Profile

UL, ASTM & Code Standards

UL2079 (5th Edition) & CAN/ULC S115
ASTM E814, E1966, E2837
A1003, A653, A924, C645, C754, C955
Sound Tested according to ASTM E90-09
2012 & 2015 IBC

Leed Points

MR 2.1 & 2.2 - Construction Waste: up to 2pts
MR 4.1 & 4.2 - Recycled Content: up to 2 pts
MR 5.1 & 5.2 - Regional Proximity
EQ 4.1 - Low Emitting Materials
EQ 9 - Enhanced Acoustical

Phone: (425) 869-2811 Fax: (425) 869-2300
U.S. Patent 10,626,598