

Vertical & Miscellaneous



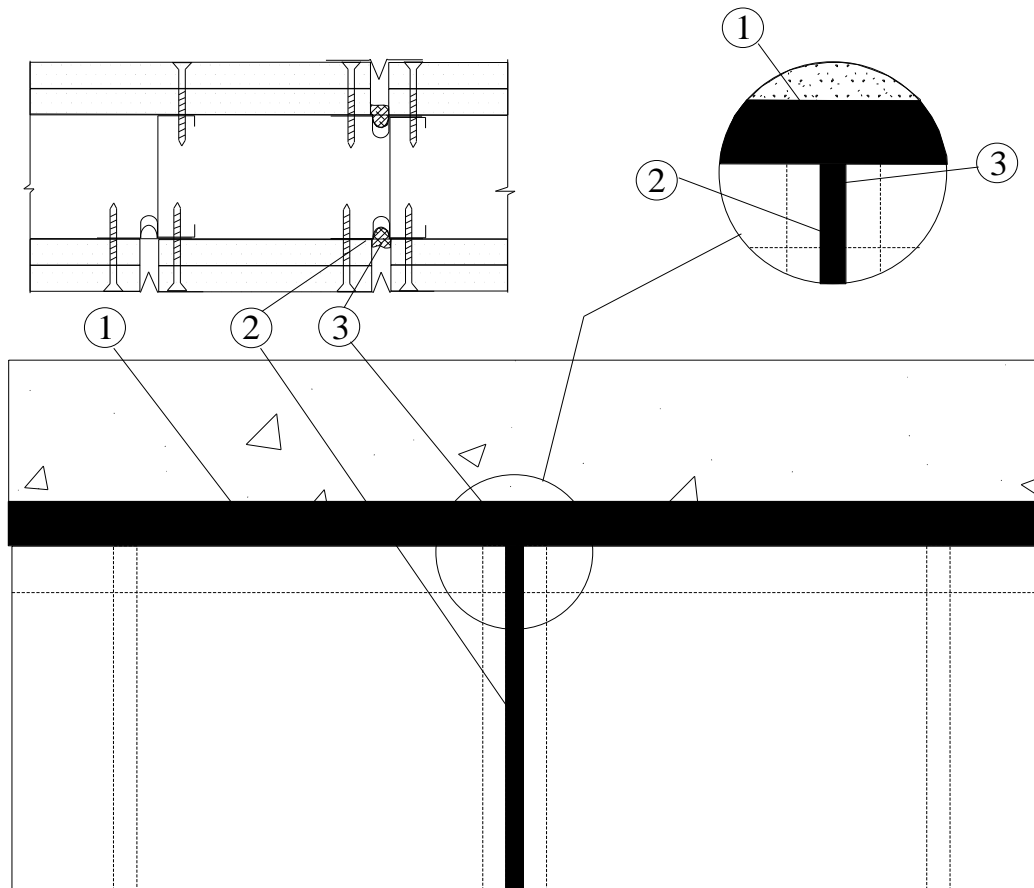
Sound Tested in Accordance
with ASTM E90-09

VM9 - Control Joint Backer (CJB) w/Safti-Seal Gasket

Head of Wall Joint Protection based on UL: [HW-D-0890](#)

Control Joint Protection based on WFCi: [Report #12033](#)

Fire rated joint protection up to 2 hour (Zinc or Vinyl 093 optional)



1. Head of Wall joint protection Safti-Seal Gasket Protection
2. Control Joint protection Safti-Seal CJB install hard side of stud fasten 8" O/C vertically
3. Safti-Seal Gasket, Caulk, or Mineral Wool cover exposed metal of track profile

UL, ASTM & Code Standards

UL2079 (5th Edition) & CAN/ULC S115
ASTM E814, E1966, E2837
A1003, A653, A924, C645, C754, C955
Sound Tested according to ASTM E90-09
2012 & 2015 IBC

Leed Points

MR 2.1 & 2.2 - Construction Waste: up to 2pts
MR 4.1 & 4.2 - Recycled Content: up to 2 pts
MR 5.1 & 5.2 - Regional Proximity
EQ 4.1 - Low Emitting Materials
EQ 9 - Enhanced Acoustical

Phone: (425) 869-2811 Fax: (425) 869-2300
U.S. Patent 10,626,598

www.saftiseal.com