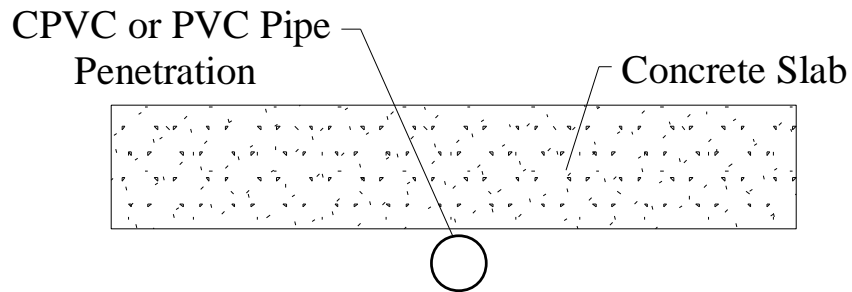




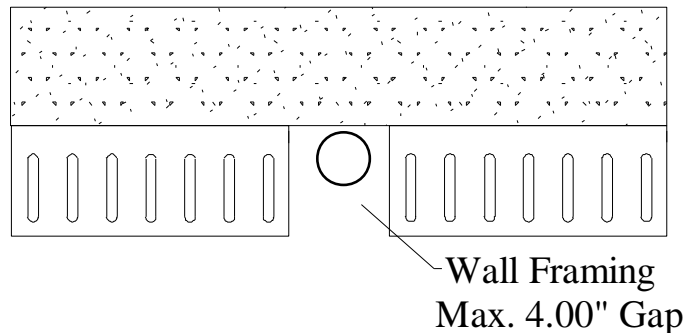
Install Guide & Tips – **SCAB-IC** for CVPC or PVC Penetration

Safti-Seal Penetration Fire Stop

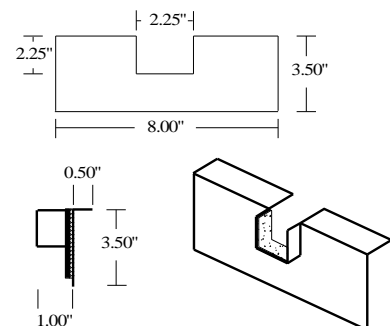
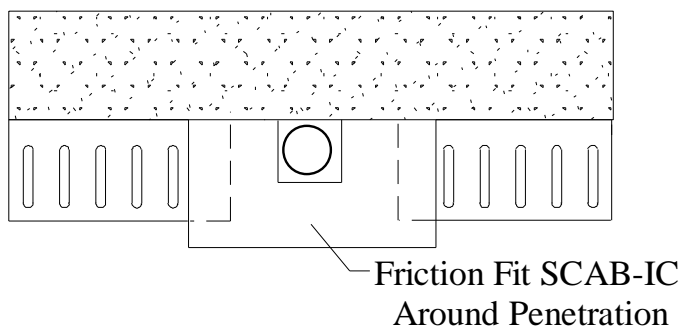
“Static” CVPC or PVC pipe or conduit penetrating “Dynamic” Head of Wall joint designed to deflect with Overhead Structure. To maintain a continuous smoke, sound, and fire rated assembly around penetration, through Safti-Seal FRG, and independent of gypsum wall sheathing:



- 1) Terminate Ceiling Runner or Track flanges a max 1 ½” from edge of penetrant on both sides of wall assembly



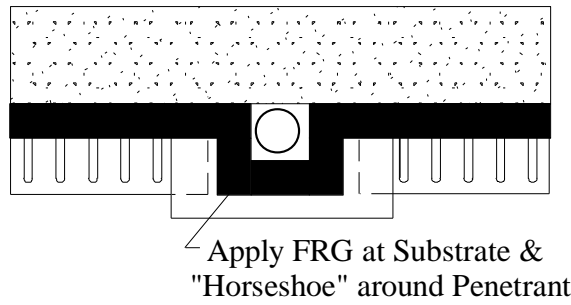
- 2) Install Safti-Seal SCAB-IC around metal penetrant with “FRG coated collar” directed away from wall cavity, friction fitting the ½” horizontal leg of SCAB-IC Profile between ceiling runner and overhead structure overlapping runner flanges a min 1 ½” on both ends.



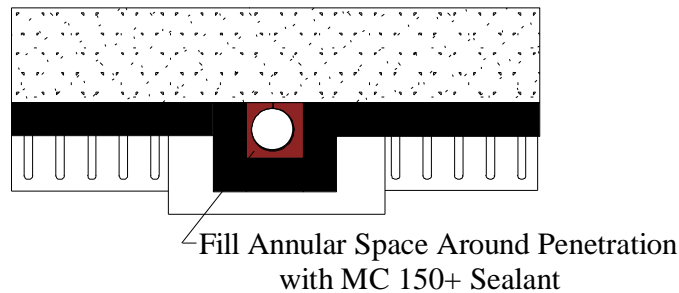


Install Guide & Tips – **SCAB-IC** for CVPC or PVC Penetration

- 3) Install appropriate Safti-Seal FRG gasket (sized to accommodate required deflection/protection) along track flange, around, and below penetrant opening of SCAB-IC profile butting tightly to Metal Collar



- 4) Apply MC-150+ sealant per UL listing filling annular space around penetrant inside Metal Collar



- 5) Install gypsum contour or square cut around SCAB-IC Collar to allow for 100% movement with appropriate overlap of horizontal and vertical Safti-Seal FRG gasket

