

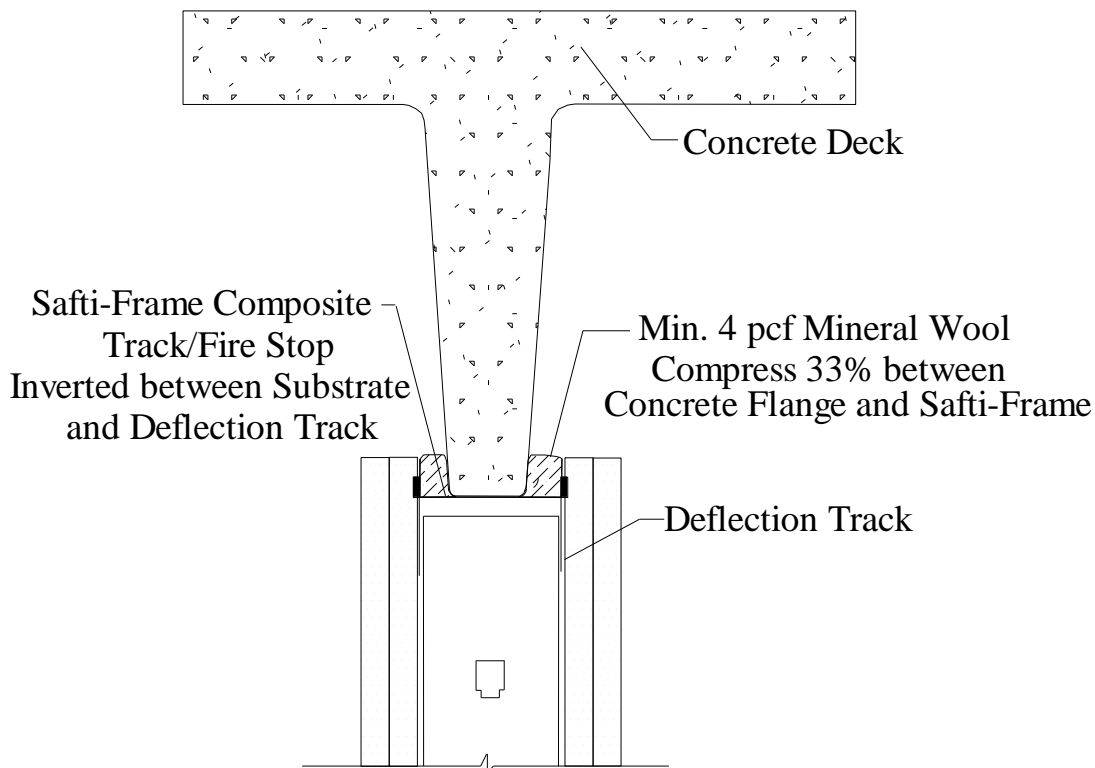
# Double Tee Concrete Substrate



## DT3 - Centered Under Flange Mineral Wool

**Deflection Joint Protection** - Strip / Framing Series refer to UL Listing: [HW-D-0498 & 0499](#)

.75" - 100 / Stock      1.00" - 125 / "W"      1.50" - 175 / "X"      2.00" - 225 / "Z"



1. Installed Gap - Single Story (compression only) = **Deflection Joint Protection**
2. Installed Gap - Multi-Story (compress + extension) = **1/2 distance** of **Deflection Joint Protection**
3. Attach to substrate with approved fastener max 24" O.C or per E.O.R.
4. Do not screw drywall or stud to Safti-Frame solid leg profile studs "free float"
5. Min. 4 pcf mineral wool compressed 33% between substrate flange and Safti-Frame
6. Drywall fasteners 1" to 4" below Deflection Track to accommodate movement

### UL, ASTM & Code Standards

UL2079 (5<sup>th</sup> Edition) & CAN/ULC S115  
ASTM E814, E1966, E2837  
A1003, A653, A924, C645, C754, C955  
Sound Tested according to ASTM E90-09  
2012 & 2015 IBC

### Leed Points

MR 2.1 & 2.2 - Construction Waste: up to 2pts  
MR 4.1 & 4.2 - Recycled Content: up to 2 pts  
MR 5.1 & 5.2 - Regional Proximity  
EQ 4.1 - Low Emitting Materials  
EQ 9 - Enhanced Acoustical

Phone: (425) 869-2811 Fax: (425) 869-2300