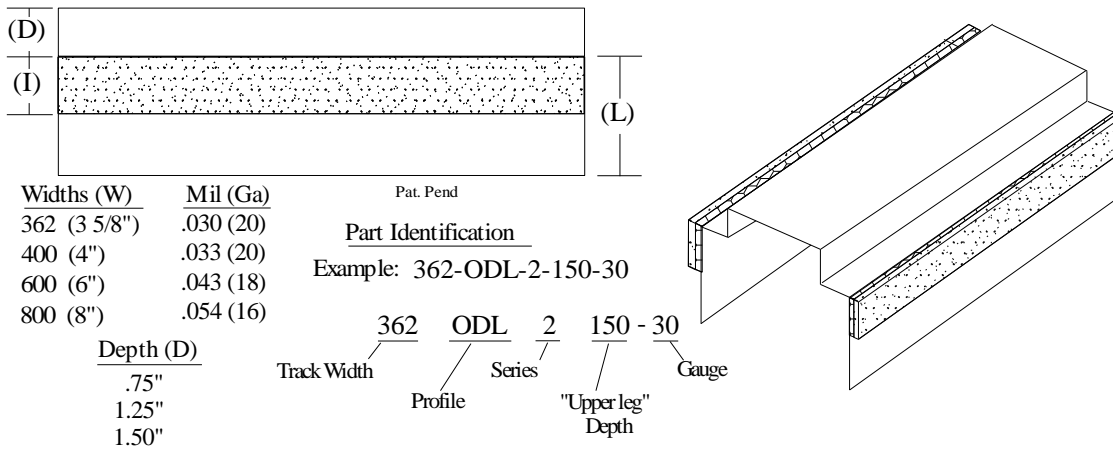


Product Profile Dimensions



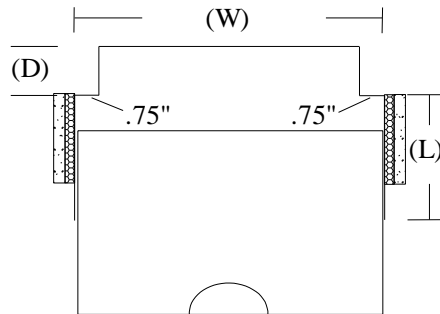
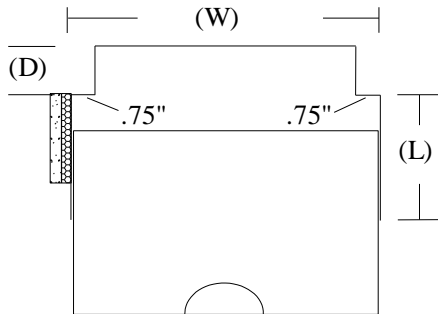
PS10 – SaftiFrame “ODL” (Offset Deep Leg) Profiles with two offset solid legs

Composite Safti-Strip/Framing “offset step” accommodates fireproofing in head of wall and wall to wall (column) assemblies. Provides 100% unencumbered joint protection accommodates up to 2” overall movement with level III (seismic) certification. Minimum G40 (20ga) and G60 (18ga and heavier) coating with two solid legs per UL listed assemblies.



1 - Series "Deep Leg" (Fire Stop One Side)

2 - Series "Deep Leg" (Fire Stop Both Sides)



Profile	Lower Leg Length (L)	Strip Width (I)	Slot Height (S)	Joint Protection
ODL	2.00"	1.00"	N/A	.75"
ODLW	2.00"	1.25"	N/A	1.00"
ODLX	2.50"	1.75"	N/A	1.50"
ODLZ	3.00"	2.25"	N/A	2.00"

UL, ASTM & Code Standards

UL2079 (5th Edition) & CAN/ULC S115
ASTM E814, E1966, E2837
A1003, A653, A924, C645, C754, C955
Sound Tested according to ASTM E90-09
2015 & 2018 IBC

Lead Points

MR 2.1 & 2.2 - Construction Waste: up to 2pts
MR 4.1 & 4.2 - Recycled Content: up to 2 pts
MR 5.1 & 5.2 - Regional Proximity
EQ 4.1 - Low Emitting Materials
EQ 9 - Enhanced Acoustical

Phone: (425) 869-2811 Fax: (425) 869-2300