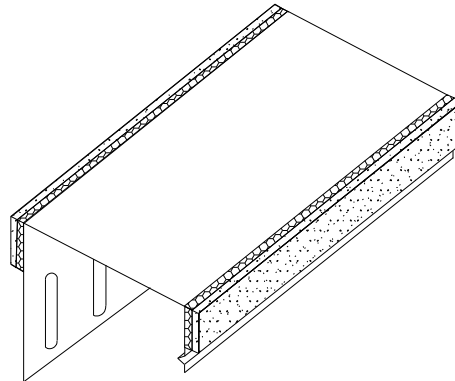
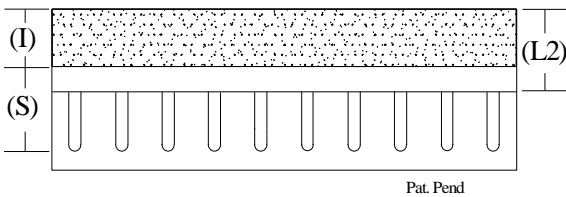


Product Profile Dimensions



PS18 – SaftiSeal “RCS” (Slotted Leg Profile) to Accommodate Resilient Channel

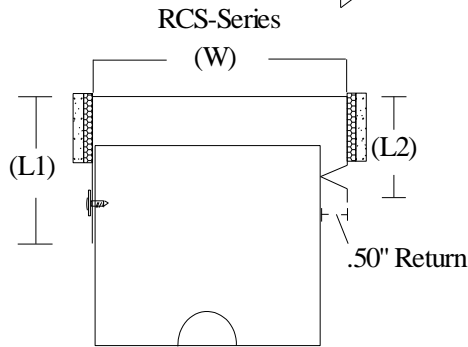
Composite Safti-Seal/Framing for use in up to 2 hr rated wall assemblies. Provides 100% unencumbered joint protection accommodates up to 1 1/2” overall movement with level III (seismic) certification. Minimum G40 (20ga) and G60 (18ga and heavier) coating one leg with 1 1/2” or 2” slots spaced 1” O/C and second leg with 1/2” rib accommodating resilient channel.



- Widths (W)
 418 (4 1/8")
 412 (4 1/2")
 612 (6 1/2")
 812 (8 1/2")

Part Identification
 Example: 418-RCS-30
 418 / RCS - 30
 Track Width / Profile / Gauge

- Gauge
 .030 (20)
 .033 (20)
 .043 (18)



| Profile | Slotted Leg Length (L1) | Solid Leg Length (L2) | Strip Width (I) | Slot Height (S) | Joint Protection |
|---------|----------------------------|--------------------------|--------------------|--------------------|------------------|
| RCS | 3.00" | 2.50" | 1.00" | 1.50" | .75" |
| RCSW | 3.00" | 2.50" | 1.25" | 1.50" | 1.00" |
| RCSX | 4.00" | 2.50" | 1.75" | 2.00" | 1.50" |

UL, ASTM & Code Standards

UL2079 (5th Edition) & CAN/ULC S115
 ASTM E814, E1966, E2837
 A1003, A653, A924, C645, C754, C955
 Sound Tested according to ASTM E90-09
 2015 & 2018 IBC

Lead Points

MR 2.1 & 2.2 - Construction Waste: up to 2pts
 MR 4.1 & 4.2 - Recycled Content: up to 2 pts
 MR 5.1 & 5.2 - Regional Proximity
 EQ 4.1 - Low Emitting Materials
 EQ 9 - Enhanced Acoustical

Phone: (425) 869-2811 Fax: (425) 869-2300