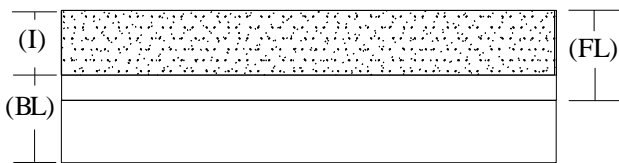


Product Profile Dimensions



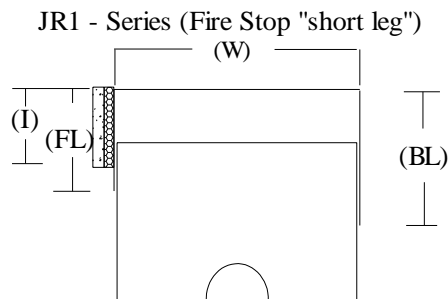
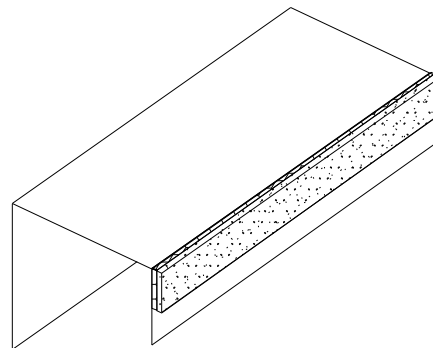
PS27 – SaftiFrame “JR” profiles with one short (front) and one long (back) leg

Composite Safti-Strip/Framing for use in up to 2 hr rated shaft wall assemblies. Provides 100% unencumbered joint protection accommodating up to 1 1/2" overall movement with level III (seismic) certification. Minimum G40 (20ga) and G60 (18ga and heavier) coating with one leg (front) having intumescent per listed assemblies in UL Fire Resistance Directory.



Pat. Pend

Widths (W)	Gauge	Part Identification
250 (2 1/2")	.030 (20)	Example: 400-JR-1-30
400 (4")	.033 (20)	
600 (6")	.043 (18)	<u>400</u> <u>JR1</u> - <u>30</u>
	.054 (16)	/ / /
		Track Width Profile Gauge



Profile	Front Leg (FL)	Back Leg (BL)	Strip Width (I)	Joint Protection
JR1	2.00"	3.00"	1.00"	.75"
JRW1	2.00"	3.00"	1.25"	1.00"
JRX1	2.00"	3.00"	1.75"	1.50"

UL, ASTM & Code Standards

UL2079 (5th Edition) & CAN/ULC S115
 ASTM E814, E1966, E2837
 A1003, A653, A924, C645, C754, C955
 Sound Tested according to ASTM E90-09
 2015 & 2018 IBC

Leed Points

MR 2.1 & 2.2 - Construction Waste: up to 2pts
 MR 4.1 & 4.2 - Recycled Content: up to 2 pts
 MR 5.1 & 5.2 - Regional Proximity
 EQ 4.1 - Low Emitting Materials
 EQ 9 - Enhanced Acoustical

Phone: (425) 869-2811 Fax: (425) 869-2300