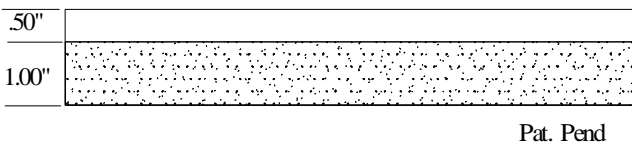


# Product Profile Dimensions



## PS36 - SaftiFrame Bottom of Wall

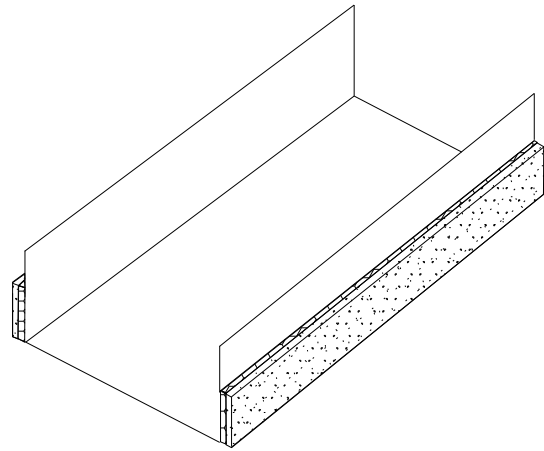
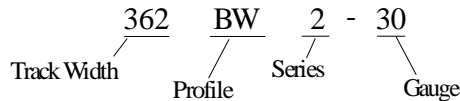
Composite Safti-Strip/Framing for use in up to 2 hr rated wall assemblies providing 100% joint protection up to 3/4". Minimum G40 (20ga) and G60 (18ga and heavier) coating 1" intumescent strip per listed assemblies in UL Fire Resistance Directory.



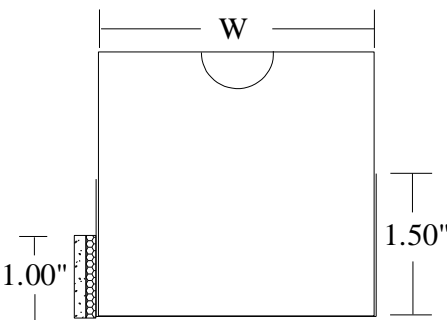
Pat. Pend

Widths (W)	Mil (Ga)
250 (2 1/2")	.030 (20)
362 (3 5/8")	.033 (20)
400 (4")	.043 (18)
600 (6")	.054 (16)
800 (8")	.068 (14)

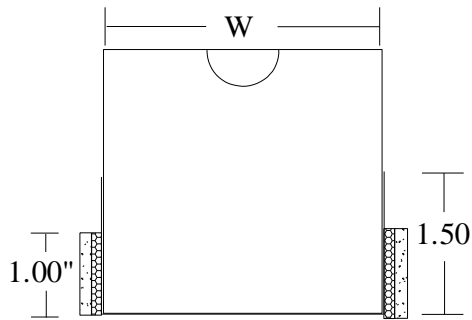
Part Identification  
Example: 362-BW-2-30



1 - Series (Fire Stop One Side)



2 - Series (Fire Stop Both Sides)



### UL, ASTM & Code Standards

UL2079 (5<sup>th</sup> Edition) & CAN/ULC S115  
ASTM E814, E1966, E2837  
A1003, A653, A924, C645, C754, C955  
Sound Tested according to ASTM E90-09  
2015 & 2018 IBC

### Lead Points

MR 2.1 & 2.2 - Construction Waste: up to 2pts  
MR 4.1 & 4.2 - Recycled Content: up to 2 pts  
MR 5.1 & 5.2 - Regional Proximity  
EQ 4.1 - Low Emitting Materials  
EQ 9 - Enhanced Acoustical

Phone: (425) 869-2811 Fax: (425) 869-2300