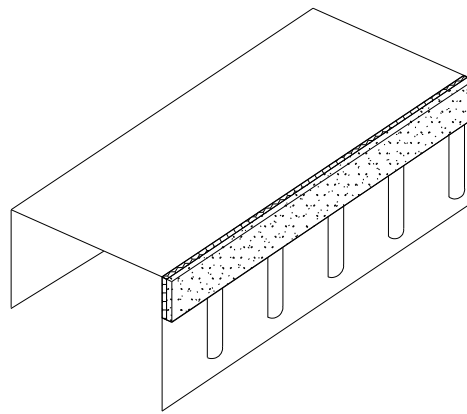
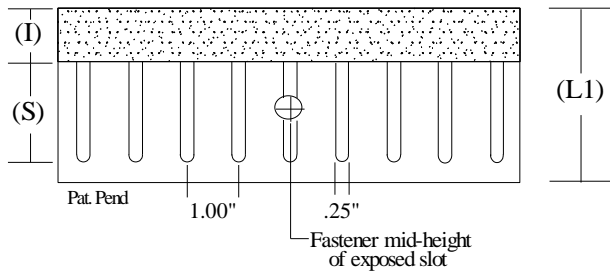


Product Profile Dimensions



PS4 – SaftiFrame “SL” (Slotted One Side) Profiles One slotted and One solid leg

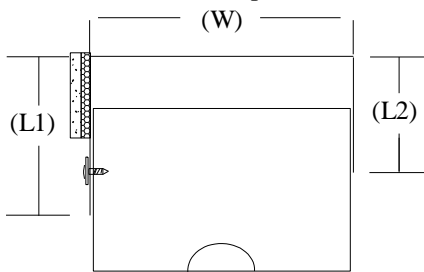
Composite Safti-Strip/Framing for use in up to 2 hr rated wall assemblies. Provides 100% unencumbered joint protection accommodates up to 1 1/2” overall movement with level III (seismic) certification. Minimum G40 (20ga) and G60 (18ga and heavier) coating having one leg with slots 1” O/C for attachment of studs per listed assemblies in UL Fire Resistance Directory.



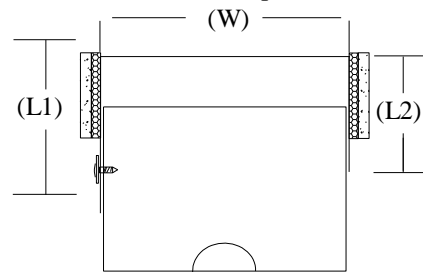
| Widths (W) | Mil (Ga) |
|--------------|-----------|
| 250 (2 1/2") | .030 (20) |
| 362 (3 5/8") | .033 (20) |
| 400 (4") | .043 (18) |
| 600 (6") | .054 (16) |
| 800 (8") | .068 (14) |

Part Identification
 Example: 250-SL-1-30
 250 SL 1 - 30
 Track Width Profile Series Gauge

1 - Series (Fire Stop One Side)



2 - Series (Fire Stop Both Sides)



| Profile | Slotted Leg Length | Solid Leg Length | Strip Width | Slot Height | Joint Protection |
|---------|--------------------|------------------|-------------|-------------|------------------|
| | (L1) | (L2) | (I) | (S) | |
| SL | 3.00" | 2.00" | 1.00" | 1.50" | .75" |
| SLW | 3.00" | 2.00" | 1.25" | 1.50" | 1.00" |
| SLX | 4.00" | 2.50" | 1.75" | 2.00" | 1.50" |

UL, ASTM & Code Standards

UL2079 (5th Edition) & CAN/ULC S115
 ASTM E814, E1966, E2837
 A1003, A653, A924, C645, C754, C955
 Sound Tested according to ASTM E90-09
 2015 & 2018 IBC

Leed Points

MR 2.1 & 2.2 - Construction Waste: up to 2pts
 MR 4.1 & 4.2 - Recycled Content: up to 2 pts
 MR 5.1 & 5.2 - Regional Proximity
 EQ 4.1 - Low Emitting Materials
 EQ 9 - Enhanced Acoustical

Phone: (425) 869-2811 Fax: (425) 869-2300