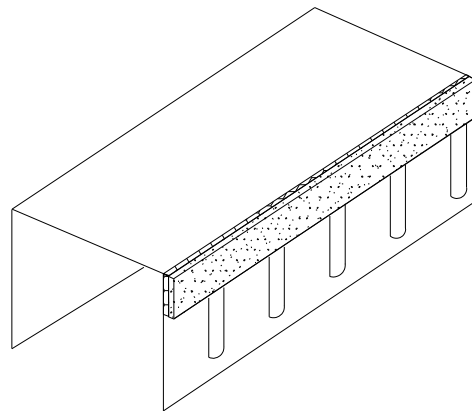
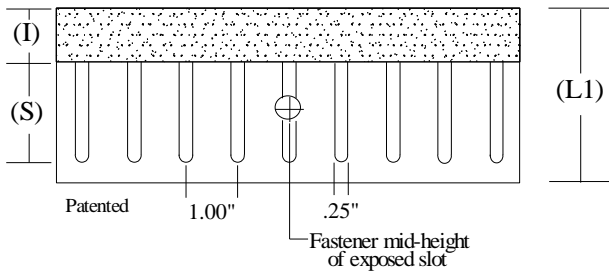


# Product Profile Dimensions



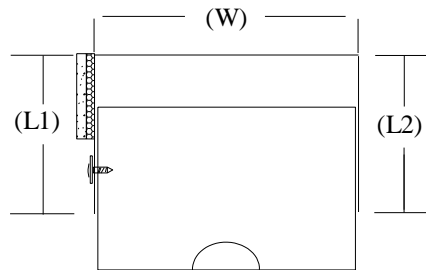
## PS49 - "JRS" Slotted J-Runner Profiles one slotted and one solid leg

Composite Safti-Strip/Framing for use in up to 2hr rated wall assemblies, up to 1 1/2" overall movement with level III (seismic) certification. Minimum G40 (20ga) and G60 (18ga and heavier) coating having one leg with slots spaced 1" O/C for permanent attachment of studs per listed assemblies in UL Fire Resistance Directory.



Widths (W)	Mil (Ga)
250 (2 1/2")	.030 (20)
400 (4")	.033 (20)
600 (6")	.043 (18)
	.054 (16)
	.068 (14)

Part Identification  
 Example: 400JRS-30  
 400 JRS - 30  
 Track Width Profile Gauge



Profile	Slotted Leg Length	Solid Leg Length	Strip Width	Slot Height	Joint
	(L1)	(L2)	(I)	(S)	Protection
JRS	3.00"	3.00"	1.00"	1.50"	.75"
JRSW	3.00"	3.00"	1.25"	1.50"	1.00"
JRSX	4.00"	3.00"	1.75"	2.00"	1.50"

### UL, ASTM & Code Standards

UL2079 (5<sup>th</sup> Edition) & CAN/ULC S115  
 ASTM E814, E1966, E2837  
 A1003, A653, A924, C645, C754, C955  
 Sound Tested according to ASTM E90-09  
 2015 & 2018 IBC

### Leed Points

MR 2.1 & 2.2 - Construction Waste: up to 2pts  
 MR 4.1 & 4.2 - Recycled Content: up to 2 pts  
 MR 5.1 & 5.2 - Regional Proximity  
 EQ 4.1 - Low Emitting Materials  
 EQ 9 - Enhanced Acoustical

Phone: (425) 869-2811 Fax: (425) 869-2300