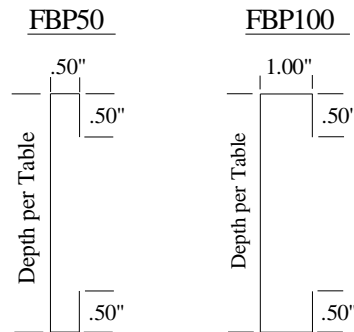
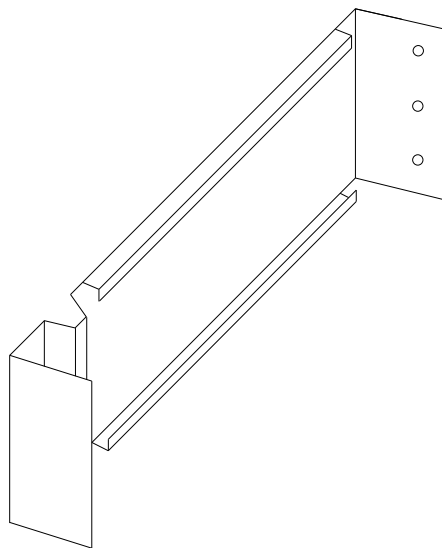


# Product Profile Dimensions



## PS52 - "Flush Backing Plate" (FBP) Flush Mount Backing Profiles

Profile for flush mounting between studs and use as backing support of vertical and horizontal loads. Low Profile design with return lip provides increased strength and accommodates stud layout and cavity obstructions. Minimum G40 coating and cold-formed steel matching relevant ASTM requirements.



Part Identification  
Example: 600FBP50-54  
600 FBP 50 - 54  
Width Profile Flange Gauge

Stock Size for 16" O.C. Framing  
Stock 20ga (33mil) to 16ga (54mil) design thickness  
Other Web Size and Gauges available

### ASTM & Code Standards

ADAAG Section 4.26  
OSHDP 2013 CBC (ST5.00 and ST5.03)  
A1003, A653, A924, C645, C754, C955  
2015 & 2018 IBC

### Lead Points

MR 2.1 & 2.2 - Construction Waste: up to 2pts  
MR 4.1 & 4.2 - Recycled Content: up to 2 pts  
MR 5.1 & 5.2 - Regional Proximity

Phone: (425) 869-2811 Fax: (425) 869-2300

[www.saftiseal.com](http://www.saftiseal.com)