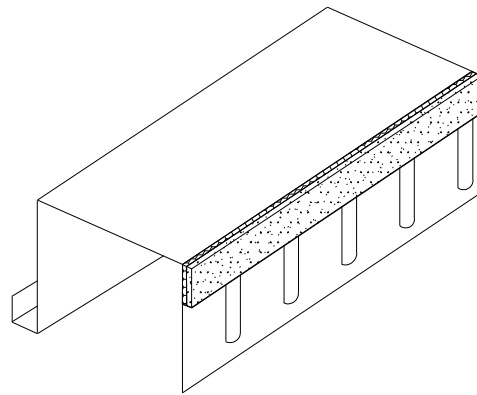
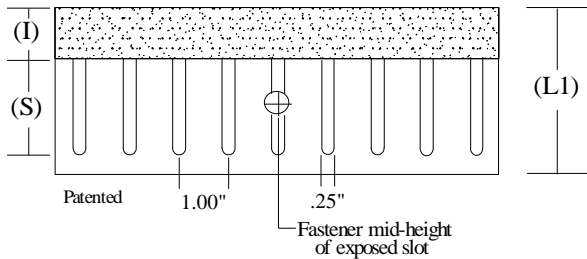


# Product Profile Dimensions



## PS62 - "DJRS" Double Slotted J-Runner Profiles one slotted and one solid leg

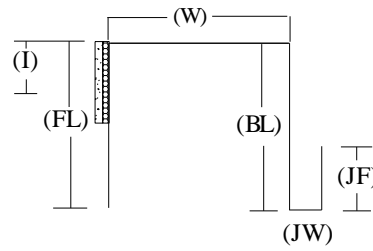
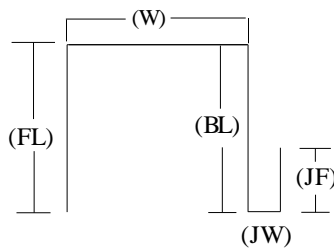
Composite Safti-Strip/Framing for use in up to 2 hr rated wall assemblies, up to 1 1/2" overall movement with level III (seismic) certification. Minimum G40 (20ga) and G60 (18ga and heavier) coating additional J-Retaining Flange for Liner Rip shaft side per listed assemblies in UL Fire Resistance Directory.



<b>Widths (W)</b>	<b>Mil (Ga)</b>	<b>Part Identification</b>	
250 (2 1/2")	.030 (20)	Example: 400-DJRS-30	
400 (4")	.033 (20)	400 - DJRS - 30	
600 (6")	.043 (18)	Track Width	Gauge
	.054 (16)	Profile	
	.068 (14)		

DJRSB - Series (Bare - No Fire Stop)

DJRS1 - Series (Fire Stop "slotted leg")



Profile	Slotted Leg (L1)	Solid Leg (L2)	Strip Width (I)	Slot Height (S)	Joint Protection	J-Web (JW)	J-Flange (JF)
DJRS	3.00"	3.00"	1.00"	1.50"	.75"	1.00"	1.25"
DJRSW	3.00"	3.00"	1.25"	1.50"	1.00"	1.00"	1.25"
DJR SX	4.00"	4.00"	1.75"	2.00"	1.50"	1.00"	1.25"
DJR SB	3.00"	3.00"	N/A	1.50"	N/A	1.00"	1.25"

### UL, ASTM & Code Standards

UL2079 (5<sup>th</sup> Edition) & CAN/ULC S115  
 ASTM E814, E1966, E2837  
 A1003, A653, A924, C645, C754, C955  
 Sound Tested according to ASTM E90-09  
 2015 & 2018 IBC

### Leed Points

MR 2.1 & 2.2 - Construction Waste: up to 2pts  
 MR 4.1 & 4.2 - Recycled Content: up to 2 pts  
 MR 5.1 & 5.2 - Regional Proximity  
 EQ 4.1 - Low Emitting Materials  
 EQ 9 - Enhanced Acoustical

Phone: (425) 869-2811 Fax: (425) 869-2300