

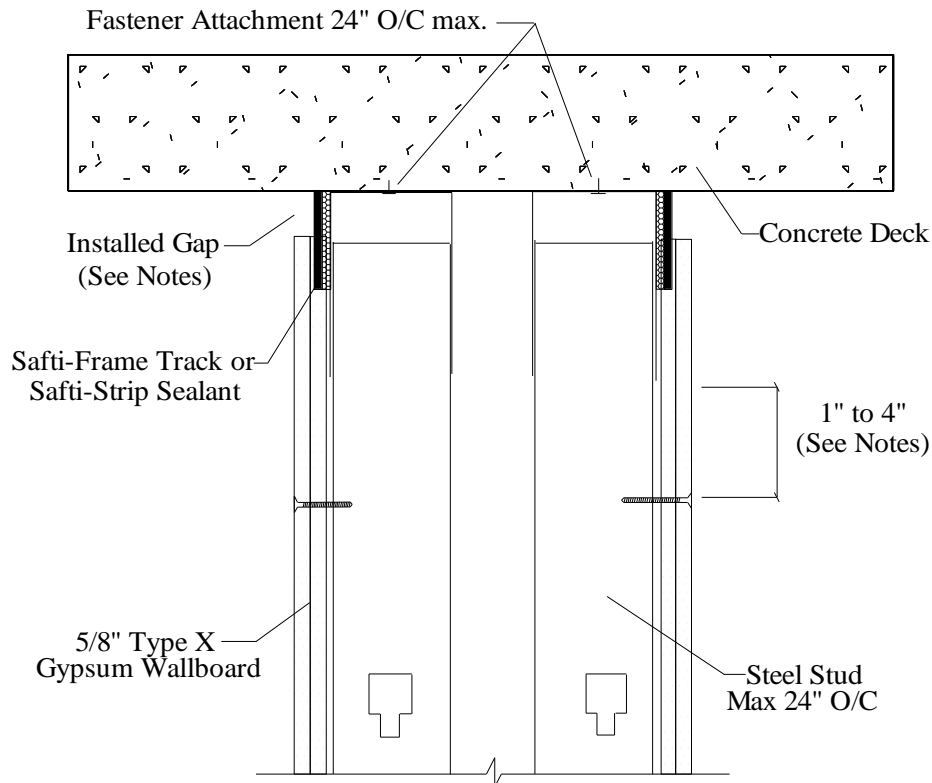
Flat Concrete Substrate



PT2 – Chase Wall Concrete

Deflection Joint Protection - Strip / Framing Profile Series refer to UL Listing: [HW-D-0505](#)

.75" - 100 / Stock 1.00" - 125 / "W" 1.50" - 175 / "X" 2.00" - 225 / "Z"



1. Installed Gap - Single Story (compression only) = **Deflection Joint Protection**
2. Installed Gap - Multi-Story (compress + extension) = **1/2 distance** of **Deflection Joint Protection**
3. Attach to substrate with approved fastener max 24" O.C or per E.O.R.
4. Do not screw drywall or stud to SaftiFrame solid leg profile studs "free float"
5. "Slotted" profile metal framing fastener installed center of slot (min. one side)
6. Drywall fasteners 1" to 4" below SaftiFrame to accommodate movement

UL, ASTM & Code Standards

UL2079 (5th Edition) & CAN/ULC S115
ASTM E814, E1966, E2837
A1003, A653, A924, C645, C754, C955
Sound Tested according to ASTM E90-09
2012 & 2015 IBC

Leed Points

MR 2.1 & 2.2 - Construction Waste: up to 2pts
MR 4.1 & 4.2 - Recycled Content: up to 2 pts
MR 5.1 & 5.2 - Regional Proximity
EQ 4.1 - Low Emitting Materials
EQ 9 - Enhanced Acoustical

Phone: (425) 869-2811 Fax: (425) 869-2300

www.saftiseal.com